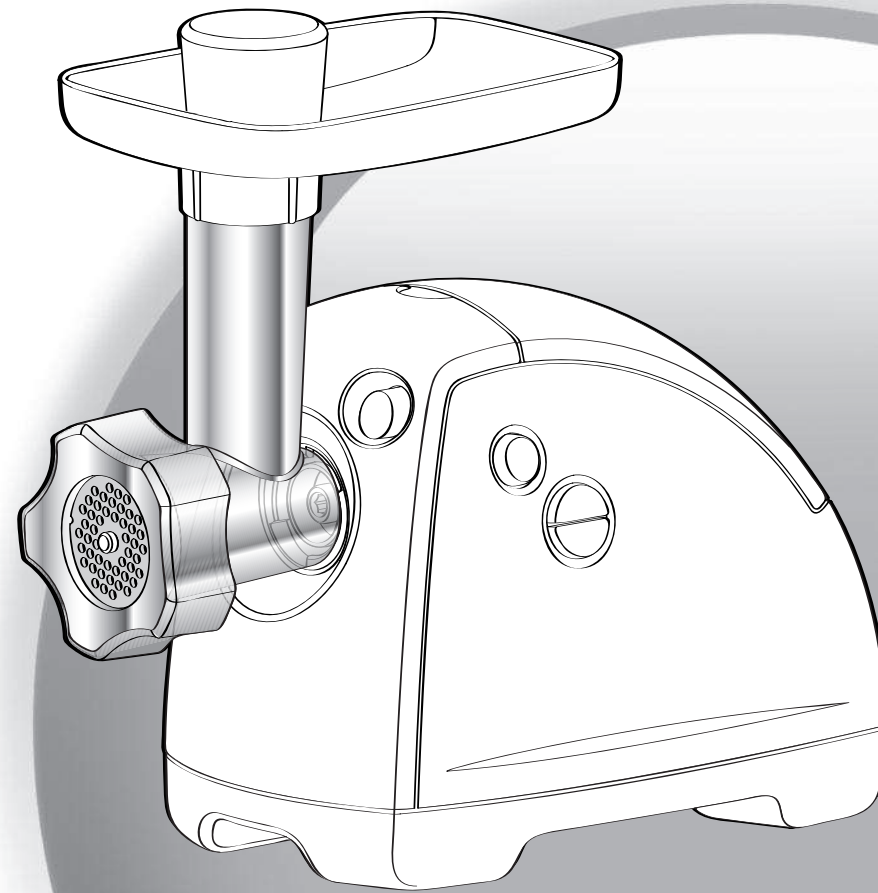


Moulinex®

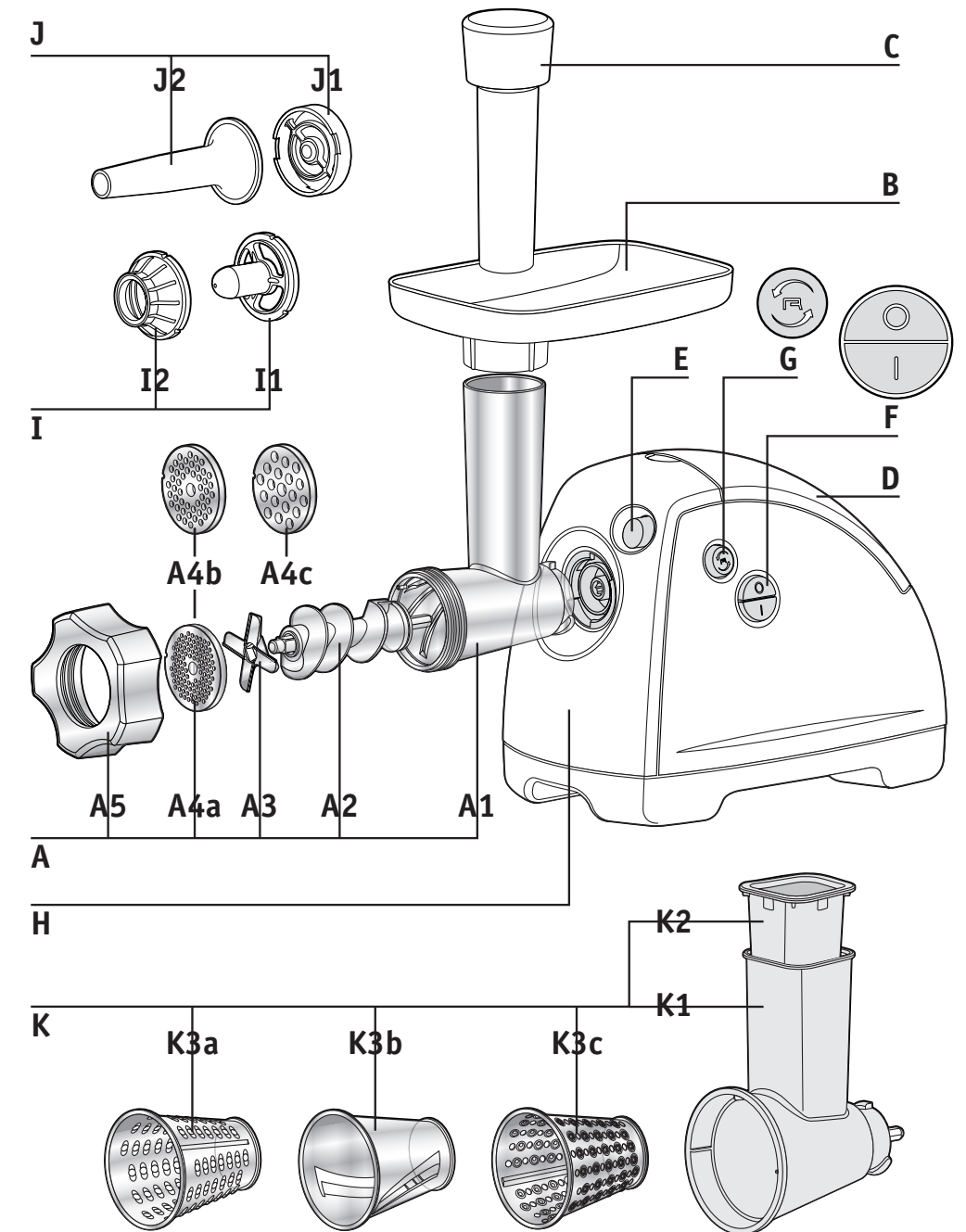
hv8

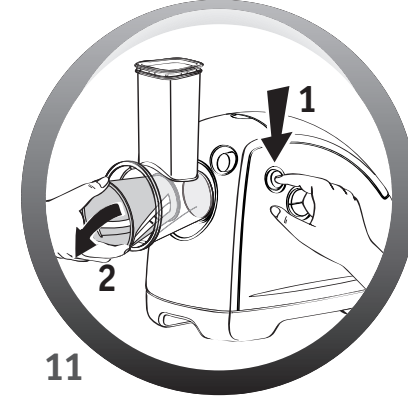
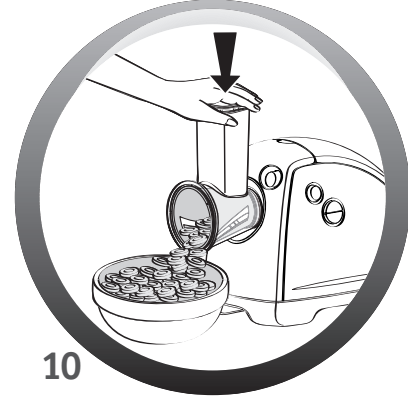
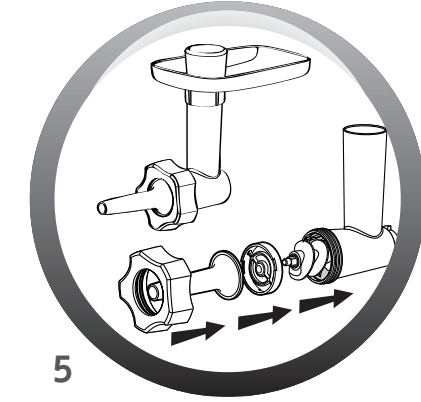
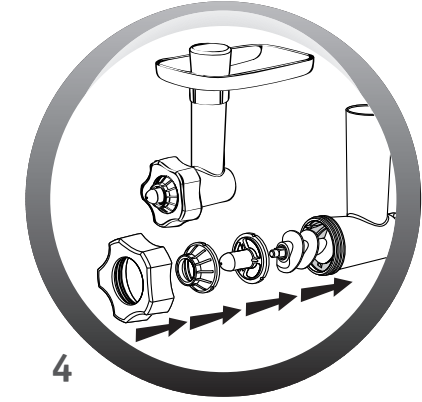
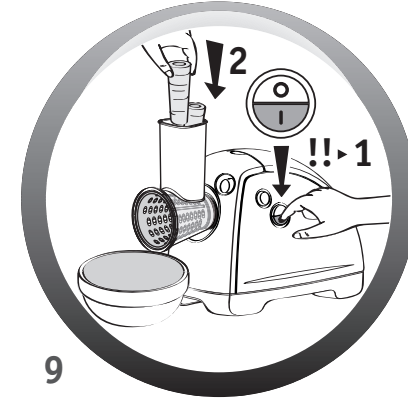
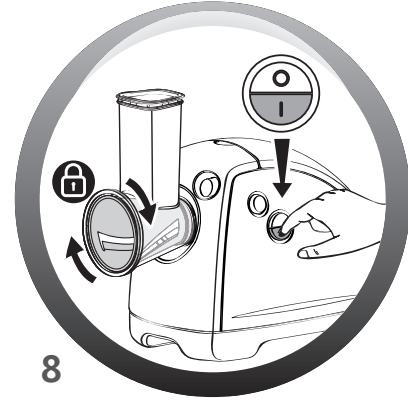
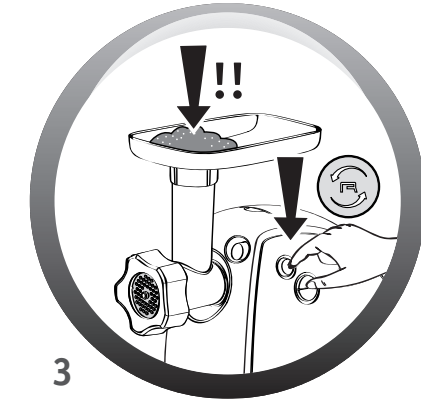
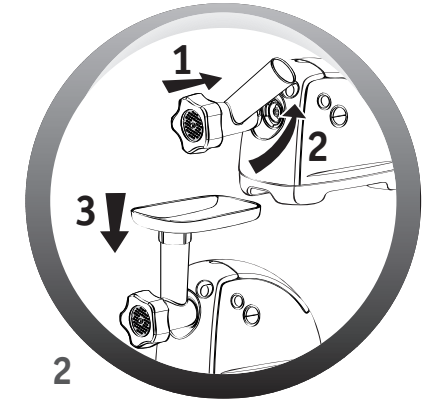
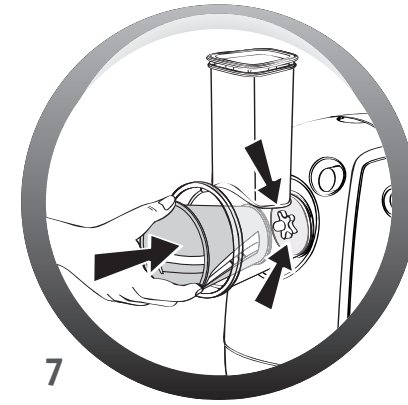
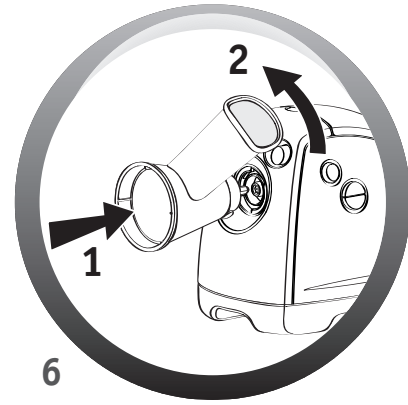
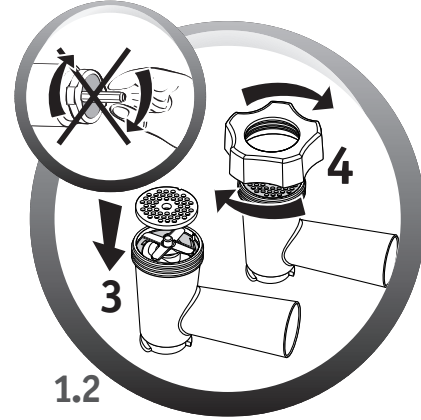
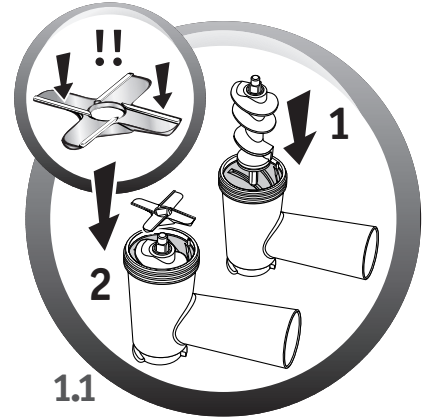
- EN p 1 - p 6
- RU p 7 - p 12
- UK p 13 - p 18
- CS p 19 - p 24
- SK p 25 - p 30
- HU p 31 - p 36
- PL p 37 - p 42
- LT p 43 - p 48
- LV p 49 - p 54
- ET p 55 - p 60
- BG p 61 - p 66
- SR p 67 - p 72
- HR p 73 - p 78
- SL p 79 - p 84
- RO p 85 - p 90
- BS p 91 - p 96



- EN
- RU
- UK
- CS
- SK
- HU
- PL
- LT
- LV
- ET
- BG
- SR
- HR
- SL
- RO
- BS

www.moulinex.com





🌐 : www.moulinex.com

THAILAND	GROUPE SEB THAILAND 2034/66 Italthai Tower, 14th Floor, n° 14-02, New Phetchburi Road, Bangkok, Huaykwang, Bangkok, 10320	02723 4488	2 years
TÜRKIYE	GROUPE SEB İSTANBUL AS Beybi Giz Plaza Dereboyu Cad. Meydan Sok. No: 28 K.12 Maslak	216 444 40 50	2 YIL
U.S.A.	GROUPE SEB USA 2121 Eden Road Millville, NJ 08332	800-395-8325	1 year
Україна/ UKRAINE	ТОВ «Груп СЕБ Україна» Вул. Драгоманова 31 Б, офіс 1 02068 Київ, Україна	044 492 06 59	2 роки/ years
UNITED KINGDOM	GROUPE SEB UK Ltd. 11-49 Station Road Langley, Slough Berkshire SL3 8 DR	0845 602 1454	1 year
VENEZUELA	GROUPE SEB VENEZUELA Av Eugenio Mendoza, Centro Letonia, Torre ING Bank, Piso 15, Ofc 155 Urb. La Castellana, Caracas	0800-7268724	2 anno
VIETNAM	GROUPE SEB VIETNAM (Representative office) 127-129 Nguyen Hue Street District 1, Ho Chi Minh City, Vietnam	+84-8 3821 6395	1 year

DESCRIPTION:

- A Removable mincer head
 - A1 Aluminium casing
 - A2 Screw feeder
 - A3 Self-sharpening stainless steel blades
 - A4 Screens
 - A4a Fine hole screen (2.4 mm) (*availability depends on model*) very fine mincing
 - A4b Medium hole screen (4.7 mm) fine mincing
 - A4c Large hole screen (8 mm) coarse mincing
 - A5 Aluminium locking nut
- B Removable tray
- C Pusher
- D Accessory storage compartment
- E Mincer head release button
- F On/off switch
- G Reverse button (momentary reverse action)
- H Motor unit
- I KEBBE accessory
 - I1 Ring fitting
 - I2 Ring
- J Sausage nozzle (*availability depends on model*)
 - J1 Screw feeder centring ring
 - J2 Nozzle
- K Vegetable cutter (*availability depends on model*)
 - K1 Drum holder / hopper
 - K2 Pusher
 - K3 Drums
 - K4a Shredder
 - K4b Slicer
 - K4c Grater

SAFETY RECOMMENDATIONS:

- Always read the instructions carefully before using your appliance for the first time: Moulinex will not accept responsibility for any use which does not comply with the instructions for use.
- This appliance is not intended to be used by persons (including children) with reduced physical, sensory or mental capacities or lack of experience and knowledge, unless they are supervised or have been given instructions beforehand concerning use of the appliance by a person responsible for their safety.
- Children should be supervised to ensure they do not play with the appliance.
- Check that the voltage of your appliance corresponds to your domestic power supply.
- Any incorrect connection to the power supply will invalidate the guarantee.
- This product has been designed for domestic use only. Any commercial use, inappropriate use or failure to comply with the instructions, the manufacturer accepts no responsibility and the guarantee will not apply
- Do not leave the appliance unattended when switched on and in use.
- Use the appliance on a flat, clean and dry surface.
- Never allow long hair, scarves or ties to hang down over the appliance when it is in use.
- Unplug the appliance after use and when you clean it or fit or remove accessories.
- Do not use the appliance if it is not working correctly or if it has been damaged. In this case contact an approved Moulinex service centre (see list in service booklet).

- Any servicing other than cleaning and normal upkeep by the customer must be carried out by an approved service centre.
- Do not use the appliance if the power lead is damaged. To avoid all possible danger, have it replaced at an approved service centre (see list in the service booklet).
- Never place the appliance, the power cord or the plug in water or any other liquid.
- Keep the power lead out of the reach of children.
- The power lead should never touch hot surfaces, or be placed near heat sources or sharp edges.
- For your own safety, only use Moulinex accessories and spare parts which are suitable for your appliance.
- Do not use the appliance for longer than 14 minutes.
- For your safety, this appliance complies with all applicable standards and regulations:
 - Low voltage directive
 - Electro-magnetic compatibility
 - Environmental regulations
 - Regulations regarding materials in contact with foodstuffs.

BEFORE USING THE APPLIANCE FOR THE FIRST TIME:

Wash all accessories in soapy water. Rinse and dry carefully.

The screen and blades must be kept lubricated. Apply a little oil to them.

Do not run the appliance empty if the screen has not been oiled.

WARNING! Handle the drums carefully as the blades are extremely sharp.

USING THE APPLIANCE:

MINCER HEAD ASSEMBLY (A) :

Assembling the mincer head (figures 1.1 and 1.2)

Hold section **A1** by the hopper with the wider opening at the top. Insert the screw feeder (**A2**) (long shaft first) in the head assembly **A1**.

Fit the stainless steel blades (**A3**) on the short shaft of the screw feeder (**A2**), so that the cutting edges face outward.

Fit the screen of your choice over the blades (**A3**) ensuring that the pin fits into the notch on the assembly (**A1**).

Tighten the locking nut **A5** (do not apply excessive pressure).

Fitting the mincer head to the appliance (diagram 2):

- The motor unit (**H**) must be unplugged. Position the mincer head in front of the unit with the hopper tilted to the right. Fit the two pins on the mincer head into the two notches on the motor unit.

Push the mincer head firmly into the motor unit (**H**) and then turn the hopper to the left until it locks into position (the hopper should be vertical).

- Fit the removable tray (**B**) onto the pins of the hopper.

Plug the appliance in. It is now ready for use.

Use:

Prepare all the food you wish to mince, eliminating any bones, cartilage or nerves.

Cut the meat into pieces (approximately 2 cm x 2 cm).

Place a container under the mincer head.

Press the On / Off switch (**F**) to start the appliance.

Place the pieces of meat on the tray (**B**) and use the pusher (**C**) to push them into the hopper one by one.

Never use your fingers or any other object to push the meat into the hopper.

To make extra fine Kebbe or Kefta mince, pass the meat through the mincer 2 or 3 times until it has the right consistency.

Tip:

When you have finished mincing put a few pieces of bread through the mincer to push out all the meat.

What to do if the mincer is blocked (diagram 3)

Turn off the mincer by pressing the On / Off switch (**F**).

Press the Reverse button (**G**) for a few seconds to clear the blockage.

Press the On / Off switch (**F**) to continue mincing.

Important : wait until the appliance stops completely before you use the On (**F**) or Reverse (**G**) buttons.

KEBBE ACCESSORY (I)

Assembly (diagram 4):

Fit the screw feeder (A2) into the mincer head assembly (A1). Insert the ring fitting (I1) in the head assembly (A1), so that the pin fits into the notch.

Place the ring (I2) over the ring fitting and then secure them by tightening the locking nut (A5).

When assembled, fit the mincer head to the motor unit, as shown in diagram 4.

Note: this accessory is used without a screen or blades.

SAUSAGE NOZZLE (J) (availability depends on model)

This accessory can be fitted to the mincer head so that you can make sausages of all kinds, flavouring them to your own taste.

Assembly (diagram 5) :

Fit the screw feeder (A2) into the mincer head assembly (A1). Fit the screw feeder centring plate (J1), aligning the pin with the notch on the head assembly (A1). Fit the nozzle (J2) and secure it by tightening the locking nut (A5). When assembled, fit the mincer head to the motor unit, as shown in diagram 5.

NB : this accessory is used without a screen or blades. The centring plate keeps the screw feeder in position while the appliance is being used.

Use:

Important: this accessory should only be used after you have minced the meat, added seasoning and mixed the preparation thoroughly.

Soak the sausage casing in warm water to soften it and insert the nozzle (J2) in it leaving about 5 cm clear.

Fill the hopper (A1) on the head assembly (A) with mince, turn the appliance on and push down with the pusher (C) until the mince reaches the end of the nozzle.

Turn off the appliance.

Tie a knot in the 5 cm length of free casing. Slide the knot up to the end of the nozzle so that air is not trapped in the casing.

Turn the appliance on again and continue to add mince. Ease the casing along as it fills. Do not overfill the sausages as this will stretch the casing.

NB : this operation is easier if two people do it together, one feeding the mince into the mincer and the other holding the casing in position as it fills.

Make sausages of the desired length by pinching the casing and twisting it where appropriate.

For the best results take care to prevent air becoming trapped in the casing during filling and make sausages 10 cm to 15 cm in length (separate the sausages by tying a knot round the casing).

VEGETABLE CUTTER (K) (availability depends on model)

Assembly (diagram 6):

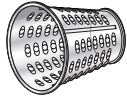


The motor unit must be unplugged. Position the vegetable cutting unit (K1) in front of the motor unit tilted to the right so that the lugs are aligned with the notches in the motor unit (H). Insert the shaft of the unit in the centre hole of of the motor unit (H). Turn the hopper to the left until the unit clicks home with the hopper in the upright position.

Use:

- Select the drum you wish to use.
- Fit the drum into the opening at the front of the vegetable cutter (K1), ensuring that it is pushed firmly home (Fig. 7).
- Plug in the appliance.
- Press the On / Off button (F) once or twice to lock the drum into position (Fig. 8).
- Start the appliance and feed the vegetables into the hopper (K1) (Fig. 9), pushing them down with the pusher (K2) (Fig. 10).
- To change the drum, wait for the appliance to stop completely and then press the Reverse button (G) for 1 second. The drum will be released automatically (Fig. 11).

WARNING! Before starting the appliance, check that the drum is correctly fitted on the shaft.

Use the right drum for each type of food:

	(*) K3a Shredder 	(*) K3b Slicer 	(*) K3c Grater 
Carrots	X	X	
Courgettes	X	X	
Potatoes	X	X	
Cucumber	X	X	
Pepper	X	X	
Onions		X	
Beetroot		X	
Cabbage (white/red)		X	
Apples		X	
Black radish	X	X	
Celeriac	X		
Banana		X	
Parmesan			X
Gruyère	X	X	
Chocolate	X		X
Dry bread/biscuits			X
Hazelnuts/walnuts/almonds			X
Coconut			X

(*) available according to model

Recommendations for the best results:

For best results the ingredients you use should be firm. Do not allow food remains to build up inside the unit. Do not use the appliance to grate or mince substances which are too hard, such as sugar or large pieces of meat. Cut food into small pieces so that it can be fed easily into the hopper.

CLEANING:

- Always unplug the appliance before cleaning the motor unit (H).
- Do not put the motor unit in water or hold it under a running tap. Clean the motor unit with a damp cloth and dry it carefully.

1) Mincer accessories:

- Release the head or accessory by pressing button E.
- Turn the mincer head unit (A) to the right and pull it towards you to remove it from the motor unit (H).
- To remove the head unit (A), lift off the pusher (C) and the tray (B), unscrew the locking nut (A5), remove the screen (A4), the blades (A3) and the screw feeder (A2).
- Take special care when handling sharp components.
- Wash all pieces in warm soapy water, rinse and dry carefully.
- Do not put any parts of the head unit (A) in the dishwasher (main body (A1), screw feeder (A2), blades (A3), screens (A4), locking nut (A5)).

2) Vegetable cutter accessories (available according to model):

- The drum holder (K1), the pusher (K2) and the drums (K3a, K3b, K3c) can be washed in the dishwasher in the top tray using the ECONOMY or QUICK WASH settings.
- Handle the drums carefully as the blades are extremely sharp.
- If the plastic parts become stained by foods such as carrots, rub the discoloured areas with a cloth soaked in vegetable oil and then clean as normal.

STORAGE:

The screens, the blades, the screw feeder centring plate, the Kebbe and sausage accessories (I1, I2 and J1, J2) can be stored in the compartment (D) at the back of the appliance.

WHAT DO I DO IF THE APPLIANCE DOESN'T WORK?

Check that it is correctly connected to the power supply.

If the problem persists, contact an approved Moulinex service centre (see list in service booklet).

DISPOSAL OF ELECTRICAL OR ELECTRONIC PRODUCTS

Let's work together to protect the environment!



- ① Your appliance contains valuable materials which can be recovered or recycled.
- ➡ Leave it at a local civic waste collection point.

RECIPES

N.B. When preparing recipes that require extensive use of the mincer take care not to operate it continuously for more than 20 seconds.

Sample recipe, using 4.7 mm medium screen (A4b):

LEBANESE KEBBE

(meat balls with yoghurt)

(Serves 6) – Preparation time: 1 h

Leave to stand for 1 h in fridge

Ingredients for kebbe paste:

600 g of meat – 300 g of cracked bulgur wheat - Salt

Ingredients for sauce:

1 kg yoghurt – 1 bunch coriander – 4 cloves garlic – 3 soupspoons cornflour – Salt, pepper

1. Cut the meat into 4 pieces. Fit the 4.7 mm screen on your mincer. Mince the meat, adding the bulgur wheat as you do so. Add salt and allow to stand for 1 hour in a cool place.
2. To make the kebbe balls: fit the kebbe accessory on to the mincer. Roll the paste into a ball, sealing the ends with a little water.
3. To prepare the sauce: wash the coriander, dry it with kitchen paper and remove the leaves. Peel and crush the garlic. Warm the coriander and garlic gently in a pan for 1 – 2 minutes. Set aside.
4. Beat the yoghurt and cornflour together. Add salt and pepper. Put the mixture into a saucepan after passing it through a fine sieve. Heat until the mixture boils and then turn down the heat. Stir the mixture while it is cooking to ensure that the yoghurt does not curdle.
5. Add the garlic and coriander. Warm the kebbe balls in the mixture for 10 minutes.

Variation on the recipe: You can also stuff the balls with a mixture of onion and minced meat (previously lightly browned in a little oil with a few pine nuts).

BRIOUATS

(Serves 4) – Preparation time: 40 min. Cooking time: 35 min.

Ingredients:

250 g puff pastry – 350 g beef – 1 onion – 2 eggs – Paprika – Powdered cinnamon and ginger – Parsley – Coriander – Chevill – Sugar – 60 g butter – Olive oil

1. Fit the 4.7 mm screen on your mincer. Cut the onion into 8 pieces and put it through the mincer. Warm 4 soupspoons of olive oil in a pan and add the onion. Sweat it on a low heat without allowing it to brown. Set aside.
2. Mince the beef. Brown it on a low heat with the onion for 10 minutes. Set aside.
3. Mince the herbs. Add them to the pan with salt and pepper, half a coffee spoon of paprika, a pinch of ginger and a small spoonful of cinnamon.
4. Add the beaten eggs, stir into the mixture and then remove from the heat.
5. Roll out the puff pastry. It should be quite thin. Cut it into squares 10 cm x 10 cm. Rub the edges with butter.
6. Put a small spoonful of filling on each square. Roll the squares up and seal the ends.
7. Fry the briouats in very hot oil. When fried, place on kitchen paper for a few seconds. Sprinkle with sugar and cinnamon. Serve very hot.

Variation on the recipe:

Fit the 4.7 mm screen on your mincer. Cut the onion in 8 pieces. Mince a little meat and then the onion.

Then mince a little more meat, then the herbs and then the rest of the meat. Beat the eggs and add them to the stuff-

fing with salt and pepper, half a coffee spoon of paprika, a pinch of ginger and a small spoonful of cinnamon. Mix all the ingredients together. Proceed as in steps 5 to 7 above.

PIROZHKI

(small fish pasties)

(Serves 4) – Preparation time: 25 min. Cooking time: 10 - 15 min.

Ingredients:

250 g puff pastry – 300 g cooked fish or smoked salmon – 2 hard boiled eggs – 1 bunch dill – 2 onions – 100 g salted butter, diced small - Oil

1. Fit the 4.7 mm screen on your mincer. Cut the onions into 8 and put them through the mincer. Brown them in a pan with a little oil over a low heat. Set aside.
2. Mince a little fish, then put the cooked onion, butter and dill through the mincer and finally the rest of the fish.
3. Roll out the puff pastry so that it is quite thin and then cut circles out using a glass or a fairly large bowl.
4. Pre-heat the oven to 210oC (Th.6)
5. Place a little filling on each circle, fold the edges over and seal them together.
6. Brown in the oven for 10 – 15 minutes.

Beef balls

(Serves 4) – Preparation time: 20 min. Cooking time: 10 - 15 min.

Ingredients:

1 kg beef – 1 onion – 1 clove garlic – 2 slices black bread soaked in milk – 2 eggs – 1 potato – Flour – Salt, peppe

1. For this recipe choose lean pieces of beef. Mince the beef with the slices of bread.
2. Slice the onion using the slicing drum (K3b) and grate the garlic and the potato using the shredder drum (K3a).
3. Mix the minced meat and bread with the sliced onion, garlic and potato.
4. Add the eggs, ground black pepper and salt, and shape the mixture into balls.
5. Roll the balls in flour and fry in the oil.

Oven baked potato pie

(Serves 4) – Preparation time: 30 min. Cooking time: 45 min.

Ingredients:

400 g minced meat – 1 kg potatoes- 2 eggs – 2 glasses milk – 1 clove garlic – 1½ soupspoons butter – 2 soupspoons oil – Salt, pepper

1. Clean wash and dry the potatoes. Slice them using the K3b drum.
2. Mince the beef and fry it in a pan with oil for 5 minutes.
3. Rub the inside of an oven dish with garlic and then grease it with some of the butter.
4. Put a first layer in the dish using $\frac{2}{3}$ of the potato. Then add a layer of meat, add salt and pepper and then a final layer with the rest of the potato.
5. Beat the eggs with hot milk and pour this mixture over the potato. Add the rest of the butter and cook in a medium oven for 45 minutes.

Apple gratin with almonds

(Serves 4) – Preparation time: 40 min. Cooking time: 30 min.

Ingredients:

6 apples – 60 g soft brown sugar – 50 g butter – 50 g whole almonds – 20 cl cream – 1 coffeespoons cinnamon

Peel the apples, remove the pips and cut into quarters. Slice finely using the K3b slicer attachment and brown with 30 g of butter. Lightly grease a gratin dish with butter and spread the caramelised apple over the bottom. Powder the almonds using the K3c grater drum. Mix the powdered almond, the cream and the cinnamon in a bowl. Pour the mixture over the apples and sprinkle with soft brown sugar. Heat the dish in the oven at 160°C.

ОПИСАНИЕ

- A** Съемная головка мясорубки
 - A1** Алюминиевый корпус
 - A2** Винт
 - A3** Самозатачивающийся нож из нержавеющей стали
 - A4** Решетка
 - A4a** Мелкая решетка (2.4 мм) *(в зависимости от модели)*
Для очень мелкой рубки
 - A4b** Средняя решетка (4.7 мм)
Для мелкой рубки
 - A4c** Широкая решетка (8 мм)
Для крупной рубки
 - A5** Алюминиевая гайка
- B** Съемный поддон
- C** Толкатель мяса
- D** Чехол для аксессуаров
- E** Кнопка для снятия головки мясорубки
- F** Кнопка запуска/остановки (0-1)
- G** Кнопка «Реверс» (движение тотчас меняется на противоположное)
- H** Блок мотора
- I** Аксессуар КЕББЕ
 - I1** Фильтрная насадка
 - I2** Кольцевое уплотнение
- J** Воронка для колбасок *(в зависимости от модели)*
 - J1** Устройство для центрирования винта
 - J2** Воронка
- K** Овощерезка *(в зависимости от модели)*
 - K1** Конусный корпус с загрузочной горловиной
 - K2** Толкатель
 - K3** Конусы
 - K3a** Конус-терка
 - K3b** Конус для резки тонкими ломтиками
 - K3c** Конус для скобления

МЕРЫ ПРЕДОСТОРОЖНОСТИ :

- Внимательно прочитайте инструкцию перед началом работы: использование прибора, не соответствующее инструкции, освобождает Moulinex от ответственности.
- Данный прибор не предназначен для использования лицами (включая детей), чьи физические, сенсорные или умственные способности ограничены, или лицами, не имеющими опыта или необходимых знаний, за исключением случаев, когда за ними присматривало или помогало третье лицо ответственное за их безопасность.
- Необходимо ограничить доступ детей к прибору, который не является игрушкой.
- Напряжение питания вашего прибора должно соответствовать напряжению вашего электрического питания.
- Любое неправильное подключение аннулирует гарантию.
- Прибор предназначен только для домашнего использования и приготовления блюд и под присмотром.
- Используйте прибор только на ровной поверхности, чистой и сухой.
- Не оставляйте небрунными длинные волосы, шарф или галстук над аксессуарами, приведенными в действие.
- Следует отключить прибор от питания, как только вы прекратили работу, отключение требуется также, когда вы его моете, ставите на место или убираете аксессуары.

- Не используйте прибор, если он работает неправильно или поврежден. В этом случае, следует обратиться в сервисный центр Moulinex (см. список в брошюре по обслуживанию).
- Любое вмешательство, отличное от чистки и ежедневного ухода клиентом должно осуществляться в сервисном центре Moulinex.
- Если поврежден провод, не используйте прибор. Для устранения опасности обратитесь для замены в сервисный центр Moulinex (см. список в брошюре по обслуживанию).
- Не кладите прибор, кабель питания или штепсель в воду или другую жидкость.
- Убирайте кабель питания от детей.
- Кабель питания не должен находиться вблизи или в контакте с нагревающимися элементами, источником тепла или острым углом.
- Для вашей безопасности следует использовать только аксессуары и запасные части Moulinex отвечающие требованиям вашего прибора.
- Не пользуйтесь прибором свыше 14 мин.
- Для вашей безопасности данный прибор отвечает действующим нормам и правилам :
 - Директива низкого напряжения
 - Электромагнитная совместимость
 - Окружающая среда
 - Материалы, контактирующие с продуктами питания.

ПЕРЕД НАЧАЛОМ ИСПОЛЬЗОВАНИЯ:

Вымойте все аксессуары водой с мылом. Сполосните и тщательно вытрите.

Решетка и нож должны оставаться жирными. Необходимо покрыть их маслом.

Не включайте прибор в холостую, не смазав предварительно решетку.

ВНИМАНИЕ : Следует осторожно обращаться с конусами, так как лезвия конусов очень острые.

ЗАПУСК:

ГОЛОВКА МЯСОРУБКИ (А) :

Сборка головки мясорубки (схемы 1.1 и 1.2)

Необходимо взять корпус А1 за загрузочную горловину, направив самое широкое отверстие кверху. Затем вставьте винт А2 (длинную ось сначала) в корпус А1.

Вставьте нож из нержавеющей стали А3 на короткую ось, которая выходит за винт А2, режущими гранями к себе. Любую решетку по вашему выбору наденьте на нож А3, выступ должен попасть в паз корпуса А1.

Закрутите (не блокируйте) гайку А5

Установка головки мясорубки (схема 2) :

• Перед отключением от питания блоком мотора Н держите головку мясорубки, загрузочная горловина направлена вправо. Состыкуйте 2 байонетных соединения головки мясорубки и 2 паза блока мотора.

Голову мясорубки вставьте в блок мотора Н , загрузочную горловину поверните затем влево до метки (загрузочная горловина должна занять вертикальное положение).

• Установите съемный поддон В на выступы загрузочной горловины мясорубки.

Включите прибор, он готов к эксплуатации.

Использование:

Приготовьте необходимое для рубки количество продуктов, удалите кости, хрящи и сухожилия.

Нарежьте мясо кусками (приблизительно 2 см X 2 см).

Под головку мясорубки поставьте емкость.

Нажмите на положение «I» кнопки запуска/остановки F , чтобы включить прибор.

Положите куски мяса на поддон В и по одному опускайте в отверстие с помощью толкателя С.

Ни в коем случае не пытайтесь проталкивать пальцами или другим инструментом.

Чтобы получить мягкое тесто Киббе или Кефта, пропустите мясо 2 – 3 раза через мясорубку до получения массы желаемой консистенции.

Полезный совет:

В конце работы вы можете пропустить несколько кусков хлеба, чтобы вышли остатки рубленого мяса.

Что делать в случае застревания? (схема 3)

Выключите мясорубку, нажав на положение «0» кнопки запуска/остановки F.

Затем несколько секунд держите нажатой кнопку «Реверс» G , чтобы освободить застрявшие продукты. Нажмите на положение «!» кнопки запуска/остановки F , чтобы продолжить работу.

Важно: дождитесь окончательной остановки прибора перед тем, как активировать команду «Пуск» F или команду «Реверс» G.

АКСЕССУАР КЕББЕ (I)

Сборка (схема 4) :

Вставьте винт A2 в корпус A1 головки мясорубки. Установите фильерную насадку I1 так, чтобы выступ попал в паз корпуса A1. Наденьте кольцевое уплотнение I2 на фильерную насадку и закрутите гайку A5 до конца.

Собранную таким образом головку установите на блок мотора как указано в схеме 4.

Примечание: данный аксессуар используется без решетки и без ножа.

ВОРОНКА ДЛЯ КОЛБАСОК (J) (в зависимости от модели)

Данный аксессуар, прикрепляемый к головке мясорубки, позволит делать любые колбаски, которые вам останутся только приправить по своему вкусу.

Сборка (схема 5)

Вставьте винт A2 в корпус A1. Установите затем воронку J2, закрутите гайку A5 до конца. Установите головку мясорубки собранную таким образом на блок мотора, как указано в схеме 5.

Примечание: данный аксессуар используется без решетки и без ножа. Устройство для центрирования винта позволяет удерживать винт в нужном положении при приготовлении рецепта.

Использование:

Важно: данный аксессуар следует использовать только после того, как мясо было порублено, специи добавлены и масса хорошо перемешана.

Предварительно вымоченную в теплой воде колбасную оболочку, ставшую снова эластичной, наденьте на воронку J2 , оставив приблизительно 5 см.

Рубленое мясо поместите в загрузочную горловину корпуса A1 мясорубки A, включите и толкайте толкателем C так, чтобы рубленое мясо вышло на край воронки.

Выключите прибор.

Сделайте узел с оставленных 5 см колбасной оболочки. Передвиньте узел к краю воронки, чтобы не блокировать воздух в колбасной оболочке.

Включите прибор и продолжайте накладывать рубленое мясо. Следите за колбасной оболочкой, пока она не наполнится. Чтобы сильно не растягивать оболочку, не делайте слишком толстых колбасок.

Примечание: работу лучше выполнять вдвоем, один накладывает рубленое мясо, а второй держит оболочку, пока она наполняется.

Колбаски можно делать любой желаемой длины, сжимая и перекладывая оболочку с места на место.

Чтобы получить качественные колбаски, необходимо следить за тем, чтобы при наполнении воздух не собирался внутри, рекомендуем делать колбаски длиной 10–15 см (отделяйте колбаски, оставляя кусок оболочки для формирования узла).

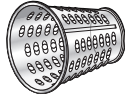
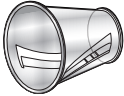

ОВОЩЕРЕЗКА (K) (в зависимости от модели)

Использование:

- Выберите конус, соответствующий желаемому использованию.
- Вставьте выбранный конус в отверстие, находящееся в передней части корпуса K1, конус должен занимать правильное положение внутри несущего элемента (рис. 7).
- Подключите прибор к питанию.
- Нажмите один или два раза на кнопку запуска/остановки F , чтобы заблокировать конус (рис. 8),
- Включите прибор, затем через загрузочную горловину корпуса накладывайте продукты K1 (рис. 9) и проталкивайте их с помощью толкателя K2 (рис. 10).
- Чтобы заменить конус, необходимо дождаться полной остановки конуса. Удерживайте нажатой в течение 1 секунды кнопку G Реверс, конус выйдет автоматически (рис. 11).

ВНИМАНИЕ : Перед включением прибора убедитесь, что конус правильно занял положение на несущем элементе.

Используйте рекомендуемый конус для каждого типа продукта:

	(*) Конус-терка К3а	(*) Конус для резки тонкими ломтиками К3б	(*) Конус для скобления К3с
			
Морковь	X	X	
Кабачки	X	X	
Картофель	X	X	
Огурец	X	X	
Перец	X	X	
Лук		X	
Свекла		X	
Капуста (белая/красная)		X	
Яблоки		X	
Редька черная	X	X	
Корневой сельдерей	X		
Бананы		X	
Пармезан			X
Грюйер	X	X	
Шоколад	X		X
Сухой хлеб/сухари			X
Лесной орех/грецкий орех/миндаль			X
Кокосовый орех			X

(*) в зависимости от модели

Советы для получения хорошего результата:

Чтобы получить удовлетворительный результат и предотвратить застревание продуктов в корпусе, используемые ингредиенты должны быть крепкими и свежими. Не используйте прибор, чтобы тереть или резать ломтиками продукты слишком жесткие такие, как сахар или куски мяса. Разрезайте продукты, чтобы их было проще проталкивать в отверстие корпуса.

ЧИСТКА:

- Перед чисткой блока мотора Н всегда отключайте прибор от питания.
- Не погружайте блок мотора в воду, не подставляйте его под воду. Чистите блок мотора влажной тряпкой. После чистки следует полностью высушить.

1) Аксессуары мясорубки :

- Снимите блокировку головки или аксессуара овощерезки, нажав на кнопку Е.
- Поверните головку мясорубки А вправо и потяните на себя, чтобы разъединить блок мотора Н.
- Чтобы снять головку овощерезки А, выньте толкатель С и снимите поддон В, отвинтите гайку А5, снимите решетку А4, нож А3 и винт А2.
- **Осторожно обращайтесь с острыми запчастями.**
- Вывойте все запчасти под горячей водой с мылом, сполосните и тщательно вытрите.
- Не мойте головку мясорубки А в посудомоечной машине (то есть корпус А1, винт А2, гайку А5, нож А3 и решетку А4).

2) Аксессуары овощерезки (в зависимости от модели) :

- Корпус (К1), толкатель (К2), конусы (К3а, К3б, К3с) можно мыть в посудомоечной машине в корзине, используя программу «ЭКО» или «НЕ СИЛЬНО ГРЯЗНОЕ».
- **Следует осторожно обращаться с конусами, так как лезвия конусов очень острые.**
- Если пластмассовые части покрасились от продуктов таких как, например, морковь, протрите их тряпкой, смоченной в пищевом масле, затем вымойте обычным способом.

ХРАНЕНИЕ:

Решетки, нож, устройство для центрирования винта, аксессуары Кеббе и для колбасок (I1, I2 и J1, J2) можно хранить на задней стенке прибора (в специальном отделении D).

ЕСЛИ ПРИБОР НЕ РАБОТАЕТ, ЧТО ДЕЛАТЬ?

Проверьте питание.

Если прибор так и не заработал, обратитесь в сервисный центр Moulinex (см. список в брошюре по обслуживанию).

СРОК ЭКСПЛУАТАЦИИ ЭЛЕКТРОННЫХ ИЛИ ЭЛЕКТРИЧЕСКИХ ПРИБОРОВ ЗАКАНЧИВАЕТСЯ

Поучаствуем в защите окружающей среды!



- ① Ваш прибор содержит много материала, пригодного к переработке.
- ➔ Сдайте его в пункт сбора или в сервисный центр для переработки.

РЕЦЕПТЫ

Обратить внимание: Для рецептов, для которых требуется более высокая мощность, время использования прибора не должно превышать 20 сек.

Пример рецепта (со средней решеткой - отверстия 4,7мм A4b) :

KIBBE VI LABAN

(котлеты киббе с йогуртом) - 6 порций

Приготовление: 1 ч. Поставить на 1 ч в холодильник

Ингредиенты для пасты киббе : 600 г мяса - 300 г бульгура (дробленое зерно) - соль

Ингредиенты для соуса : 1 кг йогурта - 1 пучок кориандра - 4 зубчика чеснока - 3 столовые ложки кукурузной муки - соль, перец

1. Разрежьте мясо на 4 куса. Установите решетку 4,7 мм в мясорубку. Пропустите мясо, добавьте бульгур. Посолите, поставьте полученную массу в холодное место на 1 час.
2. Чтобы сформировать котлеты киббе: установите на мясорубку аксессуар кеббе. Пропустите массу, края котлеты склейте небольшим количеством воды.
3. Для приготовления соуса: промойте пучок кориандра, промокните бумагой и оторвите листья. Почистите чеснок и раздавите его. Чеснок и кориандр подержите 1-2 минуты на сковородке на слабом огне. Оставьте в сторону.
4. Взбейте йогурт и кукурузную муку, посолите, поперчите. Вылейте все в кастрюлю через мелкое ситечко. Доведите смесь до кипения, затем уменьшите огонь. Присматривайте за приготовлением, постоянно помешивая, чтобы йогурт не приставал.
5. Добавьте чеснок и кориандр. Подержите котлеты киббе в горячей смеси 10 минут.

Вариант: Вы также можете начинить котлеты (смесью лука и рубленого мяса, предварительно прожаренного в небольшом количестве масла с пряностями).

САМСА

4 порции - Приготовление: 40 мин. Время запекания: 35 мин.

Ингредиенты: 250 г слоёного теста - 350 г говядины - 1 луковица - 2 яйца - паприка - молотая корица и имбирь - петрушка - кориандр - кервель - сахар - 60 г масла - оливковое масло

1. Установите решетку с отверстием 4,7 мм в мясорубку. Разрежьте лук на 8 частей и пропустите через мясорубку. Подогрейте 4 столовые ложки оливкового масла в сотейнике, затем добавьте лук. Потомите на слабом огне до получения золотистого цвета. Отставьте в сторону.
2. Измельчите говядину. Подрумяньте на слабом огне вместе с луком в течение 10 минут. Отставьте в сторону.
3. Приправы пропустите через мясорубку. Высыпьте их в сотейник вместе с солью и перцем, добавьте полчайной ложки паприки, щепотку имбиря и немного корицы.
4. Затем введите взбитые яйца, помешайте и выключите огонь.
5. Раскатайте довольно тонко слоёное тесто. Разрежьте на квадраты по 10 см. Смажьте маслом используемую поверхность.
6. На каждый квадрат положите немного фарша. Заверните, склеив затем края.
7. Жарьте самса в кипящем масле. После жарки выложите на несколько минут на впитывающую бумагу.

Посыпьте сахаром и корицей. Подавайте горячим.

Вариант:

Установите решетку с отверстиями 4,7 мм в мясорубку. Разрежьте лук на 8 частей. Нарубите немного мяса, лук пропустите через мясорубку.

Пропустите еще немного мяса, затем приправы и, наконец, остаток мяса. Взбейте яйца и введите их в фарш вместе с солью и перцем, полчайной ложкой паприки, щепоткой имбиря и небольшим количеством корицы. Все перемешайте. Повторите пункты 5–7.

ПИРОЖКИ С РЫБОЙ

(маленькие пирожки с рыбой)

4 порции - Приготовление: 25 мин. Время запекания: 10 - 15 мин.

Ингредиенты: 250 г слоёного теста - 300 г вареной рыбы или копченого лосося - 2 яйца, сваренных вкрутую - 1 пучок душистого укропа - 2 луковичи - 100 г солёного сливочного масла маленькими кусочками - растительное масло

1. Установит решетку с отверстиями 4,7 мм в мясорубку. Разрежьте лук на 8 частей и пропустите через мясорубку. Припустите на слабом огне в сотейнике в небольшом количестве растительного масла. Оставьте в сторону.
2. Нарезьте немного рыбы, добавьте затем приготовленный лук, сливочное масло, душистый укроп и оставшуюся рыбу.
3. Раскатайте тонким слоем слоёное тесто, вырежьте круги стаканом или бокалом (более или менее большим).
4. Предварительно разогрейте духовку до 210 °С (п.6).
5. На каждый кружок положите немного фарша, сложите тесто и заклейте края.
6. Готовьте в духовке 10 -15 минут.

Котлеты из говядины

4 порции - Приготовление: 20 мин. Время запекания: 10 - 15 мин.

Ингредиенты: 11 кг говядины - 1 луковича - 1 зубчик чеснока - 2 кусочка черного хлеба замоченного в молоке - 2 яйца - 1 картошина- мука - соль, перец

1. Для приготовления этого рецепта выберите нежирные куски говядины. Пропустите мясо через мясорубку с кусочками хлеба.
2. Нарезьте лук тонкими ломтиками конусом (К3в) и натрите чеснок и картофель конусом-теркой (К3а).
3. Смешайте рубленое мясо с хлебом, нарезанным луком, чесноком и картофелем.
4. Добавьте в смесь яйца, молотый черный перец, соль и сформируйте котлеты.
5. Обваляйте котлеты в муке и жарьте в растительном масле.

Картофельный пудинг, приготовленный в духовке

4 порции - Приготовление: 30 мин. Время запекания: 45 мин.

Ингредиенты: 1 зубчик чеснока - 1,5 столовой ложки сливочного масла - 2 столовые ложки растительного масла - соль, перец

1. Почистите, вымойте и высушите картофель. Нарезьте его тонкими ломтиками конусом (К3в).
2. Говядину пропустите через мясорубку, и прожарьте рубленое мясо в духовке в масле в течение 5 минут.
3. Натрите внутреннюю поверхность блюда чесноком, затем смажьте одной частью сливочного масла.
4. Слойми выложите 2/3 картофеля и рубленого мяса, посолите, поперчите, затем выложите оставшийся картофель.
5. Взбейте яйца с теплым молоком и вылейте смесь на картофель. Добавьте оставшееся сливочное масло. Готовьте в духовке при средней температуре 45 минут.

Печеные яблоки с миндалем

4 порции - Приготовление: 40 мин. Время запекания: 30 мин.

Ингредиенты: 6 яблок - 60 г сахара-сырца - 50 г сливочного масла - 50 г цельного миндаля - 20 мл сливок - 1 чайная ложка корицы

Почистите яблоки, удалите сердцевину и разрежьте на четверти. Нарезьте яблоки тонкими ломтиками конусом (К3в) и прожарьте в 30 г сливочного масла. Смажьте слегка маслом блюдо и выложите засахаренные яблоки на дно. Измельчите миндаль в порошок конусом (К3с). В салатнице перемешайте молотый миндаль, сливки и корицу. Выложите смесь на яблоки и посыпьте сахаром-сырцом. Блюдо поставьте в духовку, готовьте при 160°С.

ОПИС:

- A Знімна голівка м'ясорубки
 - A1 Алюмінієвий корпус
 - A2 Шнек
 - A3 Самозагострювальний ніж, виготовлений з нержавіючої сталі
 - A4 Решітка
 - A4a Дрібна решітка (2.4 мм) *(залежно від моделі)*
Для дуже дрібної рубки
 - A4b Середня решітка (4.7 мм)
Для дрібної рубки
 - A4c Широка решітка (8 мм)
Для грубої рубки
 - A5 Алюмінієва гайка
- B Знімний лоток
- C Штовхач м'яса
- D Чохол для аксесуарів
- E Кнопка блокування/розблокування голівки
- F Кнопка запуску / зупинки (0-1)
- G Кнопка «Реверс» (рух відразу ж змінюється на зворотній)
- H Блок мотора
- I Аксесуар КЕБЕ
 - I1 Фільтерна насадка
 - I2 Кільцеве ущільнення
- J Воронка для ковбасок *(залежно від моделі)*
 - J1 Пристрій для центрування шнека
 - J2 Воронка
- K Овочерізка *(залежно від моделі)*
 - K1 Конусний корпус з горловиною
 - K2 Товкач
 - K3 Конуси
 - K3a Конус-тертка
 - K3b Конус для нарізки тонкими скибочками
 - K3c Конус для скобління

ЗАХОДИ БЕЗПЕКИ:

- Перед початком роботи уважно прочитайте інструкцію: неналежне використання приладу звільняє компанію «Moulinex» від відповідальності.
- Цей пристрій не призначений для використання особами (включаючи дітей) з обмеженими фізичними, сенсорними або розумовими здібностями, або особами, що не мають досвіду або необхідних знань, за винятком випадків, коли за ними наглядає або допомагає третя особа, відповідальна за їхню безпеку.
- Необхідно обмежити доступ дітей до приладу, який не є іграшкою.
- Напряга живлення вашого приладу повинна відповідати напрузі електромережі у вашому домі.
- Будь-яке неправильне підключення анулює гарантію.
- Прилад призначений тільки для домашнього використання і приготування страв та під наглядом.
- Використовуйте прилад тільки на рівній, чистій та сухій поверхні.
- Не допускайте звисання довгого волосся, шарфа чи краватки над приведеними в дію аксесуарами.
- Після припинення роботи, слід зразу ж відключити прилад від електромережі, відключення потрібне також, коли ви його мисте, ставите на місце або знімаєте аксесуари.

- Не використовуйте прилад, якщо він працює неправильно або пошкоджений. У цьому випадку, слід звернутися до сервісного центру компанії «Moulinex» (див. список в брошурі з обслуговування).
- Будь-яке втручання, окрім чищення і щоденного догляду клієнтом, повинно здійснюватися в сервісному центрі «Moulinex».
- Не використовуйте прилад, якщо шнур живлення пошкоджений. Для усунення небезпеки зверніться в сервісний центр «Moulinex» для заміни (див. список у брошурі з обслуговування).
- Не кладіть прилад, шнур живлення або штепсельну вилку у воду або іншу рідину.
- Бережіть шнур живлення від дітей.
- Шнур живлення не повинен знаходитися поблизу або контактувати з нагріваючими елементами, джерелом тепла або гострими кутами.
- Для вашої безпеки слід використовувати тільки аксесуари і запасні частини компанії «Moulinex», які відповідають вимогам вашого приладу.
- Не користуйтеся приладом довше ніж 14 хв.
- Для вашої безпеки даний прилад відповідає чинним нормам і правилам:
 - Директива низької напруги
 - Електромагнітна сумісність
 - Навколишнє середовище
 - Матеріали, що контактують з продуктами харчування.

ПЕРЕД ПОЧАТКОМ ВИКОРИСТАННЯ:

Вимийте всі аксесуари водою з милом. Сполосніть і ретельно витріть.
Решітка і ніж повинні залишатися жирними. Необхідно змастити їх олією.
Не вмикайте прилад в холосту, не змастивши попередньо решітку.
УВАГА: Оскільки леза конусів дуже гострі, з ними слід поводитися обережно.

ЗАПУСК:

ГОЛІВКА М'ЯСОРУБКИ (А) :

Складання голівки м'ясорубки (схеми 1.1 і 1.2)

Необхідно взяти корпус А1 за горловину, направивши найширший отвір вгору. Потім вставте шнек А2 (спочатку довгу вісь) в корпус А1.

Надінте ніж з нержавіючої сталі А3 на коротку вісь, яка виступає за шнек А2, ріжучими лезами до себе. Будь-яку решітку за вашим вибором надіньте на ніж А3, виступ повинен потрапити в паз корпусу А1. Закрутіть (не блокуйте) гайку А5.

Установка голівки м'ясорубки (схема 2) :

- Перед відключенням від електромережі блоку мотора Н тримайте голівку м'ясорубки, горловина спрямована вправо. Зістикуйте 2 байонетні з'єднання голівки м'ясорубки і 2 пази блока мотора. Голівку м'ясорубки вставте в блок мотора Н, після чого поверніть горловину до мітки (горловина повинна зайняти вертикальне положення).
 - Встановіть знімний лоток В на виступи горловини голівки м'ясорубки.
- Увімкніть прилад, він готовий до експлуатації.

Використання:

Приготуйте необхідну для рубки кількість продуктів, видаліть кістки, хрящі і сухожилля.

Наріжте м'ясо шматками (приблизно 2 см X 2 см).

Під голівку м'ясорубки поставте ємність.

Натисніть на положення «I» кнопки запуску / зупинки F, щоб включити прилад.

Покладіть шматки м'яса на піддон В і по одному опускайте в отвір за допомогою штовхача С.

Ні в якому разі не намагайтеся проштовхувати пальцями або іншим інструментом.

Щоб отримати м'яке тісто Кебе або Кефта, пропустіть м'ясо 2 – 3 рази через м'ясорубку до отримання маси бажаної консистенції.

Корисна порада:

В кінці роботи ви можете пропустити кілька шматків хліба, щоб вийшли залишки меленого м'яса.

Що робити у випадку застрягання? (Схема 3)

Вимкніть м'ясорубку, натиснувши на положення «0» кнопки запуску / зупинки F.

Потім кілька секунд тримайте нажатою кнопку «Реверс» (Зворотний хід) G, щоб звільнити застрягли продукти. Натисніть на положення «I» кнопки запуску/ зупинки F, щоб продовжити роботу

Важливо: дочекайтеся остаточної зупинки приладу перед тим, як активувати команду «Пуск» F або команду «Зворотний хід» G

АКСЕСУАР КЕБЕ (I)

Складання (схема 4) :

Вставте шнек A2 в корпус A1 голівки м'ясорубки. Встановіть фільтрну насадку I1 так, щоб виступ потрапив у паз корпусу A1. Надіньте кільцеве ущільнення I2 на фільтрну насадку і закрутіть гайку A5 до кінця.

Зібрану таким чином голівку встановіть на блок мотора, як зазначено в схемі 4.

Примітка: даний аксесуар використовується без решітки та без ножа.

ВОРОНКА ДЛЯ КОВБАСОК (J) (залежно від моделі)

Даний аксесуар, що прикріплюється до голівки м'ясорубки, дозволить робити будь-які ковбаски, які вам залишаться тільки приправити за своїм смаком.

Складання (схема 5)

Вставте шнек A2 в корпус A1. Потім встановіть воронку J2, закрутіть гайку A5 до кінця. Встановіть голівку м'ясорубки зібрану на блок мотора відповідно до схеми 5.

Примітка: даний аксесуар використовується без решітки та без ножа. Пристрій для центрування шнека дозволяє утримати шнек у потрібному положенні при приготуванні рецепта.

Використання:

Важливо: даний аксесуар слід використовувати тільки після того, як м'ясо було помелене, спеції додані і маса добре перемішана.

Попередньо вимочену в теплій воді ковбасну оболонку, яка стала знову еластичною, надягніть на воронку J2, залишивши приблизно 5 см.

Мелене м'ясо помістіть в горловину корпусу A1 голівки м'ясорубки A, включіть і проштовхуйте за допомогою штовхача C так, щоб мелене м'ясо вийшло на край воронки.

Вимкніть прилад.

Зробіть вузол з залишених 5 см ковбасної оболонки. Пересуньте вузол до краю воронки, щоб не блокувати повітря в ковбасній оболонці.

Увімкніть прилад і продовжуйте накладати мелене м'ясо. Стежте за ковбасною оболонкою, поки вона не наповниться. Щоб сильно не розтягувати оболонку, не робіть надто товстих ковбасок.

Примітка: роботу краще виконувати удвох, один накладає мелене м'ясо, а інший тримає оболонку, поки вона наповнюється.

Ковбаски можна робити будь-якої бажаної довжини, стискаючи і перекладаючи оболонку з місця на місце.

Щоб отримати якісні ковбаски, необхідно стежити за тим, щоб при наповненні повітря не збиралося всередині. Рекомендуємо робити ковбаски довжиною 10–15 см (відокремлюйте ковбаски, залишаючи частину оболонки для формування вузла).

ОВОЧЕРІЗКА (K) (залежно від моделі)

Складання (схема 6) :

Напроти відключеного від електромережі блоку мотора встановіть корпус K1, нахилений вправо, вушка корпусу повинні увійти в отвори блока мотора H. Встановіть стержень, що виходить з корпусу K1, у вісь блока мотора H. Горловину корпусу K1 поверніть ліво до мітки.

Використання:

- Виберіть відповідний для використання конус.
- Вставте вибраний конус в отвір, що знаходиться в передній частині корпусу K1, конус повинен займати правильне положення усередині несучого елемента(мал. 7).
- Підключіть прилад до електромережі.
- Натисніть один або два рази на кнопку запуску / зупинки F, щоб блокувати конус (мал. 8),
- Увімкніть прилад, потім через горловину корпусу накладайте продукти K1 (мал. 9) і проштовхуйте їх за допомогою штовхача K2 (мал. 10).
- Щоб замінити конус, необхідно дочекатися повної зупинки конуса. Утримуйте протягом 1 секунди кнопку «Реверс» G, конус вийде автоматично (мал. 11).

УВАГА: Перед увімкненням приладу переконайтеся, що конус зайняв правильне положення на несучому елементі.

Використовуйте рекомендований конус для кожного типу продукту:

	(*) Конус-тертка К3а	(*) Конус для нарізки тонкими скибочками К3б	(*) Конус для скобління К3с
Морква	X	X	
Кабачки	X	X	
Картпля	X	X	
Огірок	X	X	
Перець	X	X	
Цибуля		X	
Буряк		X	
Капуста (біла/червона)		X	
Яблука		X	
Редька чорна	X	X	
Коренева селера	X		
Банани		X	
Пармезан			X
Грюйер	X	X	
Шоколад	X		X
Висушений хліб/сухари			X
Лісовий горіх/грецький горіх/мигдаль			X
Кокосовий горіх			X

(*) залежно від моделі

Поради для отримання хорошого результату:

Щоб отримати задовільний результат і запобігти застряганню продуктів у корпусі, використовувані інгредієнти повинні бути міцними і свіжими. Не використовуйте прилад, щоб терти або різати скибочками занадто тверді продукти такі, як цукор або шматки м'яса. Розрізайте продукти, щоб їх було простіше проштовхувати в отвір корпусу.

ЧИЩЕННЯ:

- Перед чищенням блока мотора Н завжди відключайте прилад від електромережі
- Не занурюйте блок мотора у воду, не підставляйте його під воду. Очистіть блок мотора вологою ганчіркою. Після чищення варто повністю висушити.

1) Аксесуари м'ясорубки:

- Зніміть блокування голівки або аксесуара овочерізки, натиснувши на кнопку Е.
- Поверніть голівку м'ясорубки А вправо і потягніть на себе, щоб від'єднати її від блока мотора Н.
- Щоб зняти голівку овочерізки А, вийміть штовхач С і зніміть лоток В, відгвинтіть гайку А5, зніміть решітку А4, ніж А3 і шнек А2.
- **Обережно поводьтеся з гострими деталями.**
- Вимийте всі запчастини під гарячою водою з милом, сполосніть і ретельно витріть.
- Не мийте голівку м'ясорубки А в посудомийній машині (тобто корпус А1, шнек А2, гайку А5, ніж А3 і решітку А4).

2) Аксесуари овочерізки (залежно від моделі):

- Корпус (К1), штовхач (К2), конуси (К3а, К3б, К3с) можна мити у посудомийній машині в кошику, використовуючи програму «ЕКО» або «НЕ ДУЖЕ БРУДНЕ».
- Оскільки леза конусів дуже гострі, з ними слід поводитися обережно.
- Якщо пластмасові частини пофарбувалися продуктами такими як, наприклад, морква, протріть їх ганчіркою, змоченою в харчовій олії, потім вимийте звичайним способом.

ЗБЕРІГАННЯ:

Решітки, ніж, пристрій для центрування шнека, аксесуари кебе і для ковбасок (I1, I2 і J1, J2) можна зберігати на задній стінці приладу (у спеціальному відділенні D).

ЩО РОБИТИ, ЯКЩО ПРИЛАД НЕ ПРАЦЮЄ?

Перевірте живлення.

Якщо прилад так і не запрацював, зверніться до сервісного центру Moulinex (Див. список у брошурі з обслуговування).

ПІСЛЯ ЗАКІНЧЕННЯ ТЕРМІНУ ЕКСПЛУАТАЦІЇ ЕЛЕКТРОННИХ АБО ЕЛЕКТРИЧНИХ ПРИЛАДІВ

Візьмімо участь у захисті навколишнього середовища!



- ① Ваш прилад містить багато матеріалу, придатного до переробки.
- ➔ Здайте його в пункт збору або в сервісний центр для переробки.

РЕЦЕПТИ

Зверніть увагу: Для рецептів, приготування яких вимагає більш високої потужності, час використання приладу не повинен перевищувати 20 сек.

Приклад рецепту (з середньою решіткою – отвори 4,7 мм A4b) :

KIBBE BI LABAN (котлети кібе з йогуртом)

6 порцій – Приготування: 1 година

Покласти на 1 год у холодильник

Інгредієнти для пасти кібе: 600 г м'яса – 300 г бульгуру (подрібнене зерно) – сіль

Інгредієнти для соусу: 1 кг йогурту – 1 пучок коріандру – 4 зубчики часнику – 3 столові ложки кукурудзяного борошна – сіль, перець

1. Розріжте м'ясо на 4 шматки. Установіть решітку з отворами 4,7 мм в м'ясорубку. Пропустіть м'ясо, додайте бульгур. Посоліть, поставте отриману масу в холодне місце на 1 годину.
2. Щоб сформувати котлети кібе: встановіть на м'ясорубку аксесуар кебе. Пропустіть масу, краї котлети склейте невеликою кількістю води.
3. Для приготування соусу: промийте пучок коріандру, промокніть папером і відірвіть листя. Почистіть часник і роздавіть його. Часник і коріандр потримайте 1–2 хвилини на сковорідці на слабкому вогні. Відкладіть у бік.
4. Збийте йогурт і кукурудзяну муку, посоліть, поперчіть. Вилийте все в каструлю через дрібне ситечко. Доведіть суміш до кипіння, потім зменште вогонь. Стежте за приготуванням, постійно помішуючи, щоб йогурт не приставав.
5. Додайте часник і коріандр. Потримайте котлети кібе в гарячій суміші 10 хвилин.

Варіант: Ви також можете нафарширувати котлети (сумішшю цибулі і м'яса, попередньо прожареного в невеликій кількості олії з прянощами).

САМСА

4 порції – Приготування: 40 хвил. Час запікання: 35 хвил.

Інгредієнти: 250 г листового тіста – 350 г яловичини – 1 цибулина – 2 яйця – паприка – мелена кориця та імбир – петрушка – коріандр – кервель – цукор – 60 г масла – оливкова олія

1. Установіть решітку з отворами 4,7 мм в м'ясорубку. Розріжте цибулю на 8 частин і пропустіть через м'ясорубку. Підігрійте 4 столові ложки оливкової олії в сотейнику, потім додайте цибулю. Потушуйте на малому вогні до отримання золотистого кольору. Відставте у бік.
2. Подрібніть яловичину. Підрум'яньте на слабкому вогні разом з цибулею протягом 10 хвилин. Відставте у бік.
3. Приправи пропустіть через м'ясорубку. Висипте їх в сотейник разом з сіллю і перцем, додайте пів чайної ложки паприки, шіпку імбиру і трохи кориці.
4. Потім додайте збиті яйця, перемішайте і вимкніть вогонь.
5. Розкачайте досить тонко листове тісто. Поріжте на квадрати по 10 см. Змастіть маслом поверхню, яка використовується.
6. На кожен квадрат покладіть трохи фаршу. Загорніть, а потім заліпіть краї.

7. Смажте самса в киплячому маслі. Після смаження викладіть на кілька хвилин на поглинаючий папір. Посипте цукром і корицею. Подавайте гарячим.

Варіант:

Установіть решітку з отворами 4,7 мм в м'ясорубку. Розріжте цибулю на 8 частин. Намеліть трохи м'яса, цибулю пропустіть через м'ясорубку.

Пропустіть ще трохи м'яса, потім приправи і, нарешті, м'ясо, яке залишилося. Збийте яйця і додайте їх до фаршу разом з сіллю і перцем, половиною чайної ложки паприки, щіпкою імбиру і невеликою кількістю кориці. Все перемішайте. Повторіть пункти 5–7.

ПИРИЖКИ З РИБОЮ

4 порції – Приготування: 25 хвил. Час запікання: 10 – 15 хвил.

Інгредієнти: 250 г листкового тіста – 300 г вареної риби або копченого лосося – 2 зварених круто яйця – 1 пучок запашного кропу – 2 цибулини – 100 г солоного вершкового масла маленькими шматочками – рослинна олія

1. Установіть решітку з отворами 4,7 мм в м'ясорубку. Розріжте цибулю на 8 частин і пропустіть через м'ясорубку. Тушуйте на слабкому вогні в сотейнику в невеликій кількості рослинного масла. Відставте у бік.
2. Наріжте трохи риби, потім додайте приготовану цибулю, вершкове масло, запашний кріп і рибу, яка залишилася.
3. Розкачайте тонким шаром листкове тісто, виріжте кружечки склянкою або келихом (більш – менш великого розміру).
4. Попередньо розігрійте духовку до 210 °С (п.6).
5. На кожен кружечок покладіть трохи фаршу, складіть тісто і заліпіть краї.
6. Готуйте в духовці протягом 10 – 15 хвилин.

Котлети з яловичини

4 порції – Приготування: 20 хвил. Час запікання: 10 – 15 хвил.

Інгредієнти: 1 кг яловичини – 1 цибулина – 1 зубчик часнику – 2 шматочки чорного хліба замоченого в молоці – 2 яйця – 1 картоплина – борошно – сіль, перець

1. Для приготування цього рецепту виберіть нежирні шматки яловичини. Пропустіть м'ясо через м'ясорубку з шматочками хліба.
2. Наріжте цибулю тонкими скибочками конусом (К3б) і натріть часник і картоплю конусом-терткою(К3а).
3. Змішайте мелене м'ясо з хлібом, порізаною цибулею, часником і картоплею.
4. Додайте в суміш яйця, мелений чорний перець, сіль і сформуйте котлети.
5. Обвалюйте котлети в борошні і смажте на рослинній олії.

Картопляний пудинг, приготований в духовці

4 порції – Приготування: 30 хвил. Час запікання: 45 хвил.

Інгредієнти: 400 г меленого м'яса – 1 кг картоплі – 2 яйця – 2 склянки молока – 1 зубчик часнику – 1,5 столової ложки вершкового масла – 2 столові ложки рослинної олії – сіль, перець

1. Почистіть, вимийте і висушіть картоплю. Наріжте її тонкими скибочками конусом. (К3б).
2. Яловичину пропустіть через м'ясорубку, і прожарте рублене м'ясо в духовці на олії протягом 5 хвилин.
3. Натріть внутрішню поверхню блюда часником, потім змішайте однією частиною вершкового масла..
4. Викладіть шарами 2 / 3 картоплі і мелене м'ясо, посоліть, поперчіть, потім викладіть картоплю, що залишилася.
5. Збийте яйця з теплим молоком і вилийте суміш на картоплю. Додайте вершкове масло, що залишилося. Готуйте в духовці при середній температурі 45 хвилин.

Печені яблука з мигдалем

4 порції – Приготування: 40 хвил. Час запікання: 30 хвил.

Інгредієнти: 6 яблук – 60 г цукру – 50 г вершкового масла – 50 г цілого мигдалю – 20 мл вершків – 1 чайна ложка кориці

Почистіть яблука, видаліть серцевину і розріжте на чверті. Наріжте тонкими скибочками яблука конусом (К3б) і прожарте в 30 г вершкового масла. Злегка змістять блюдо маслом і викладіть зацукровані яблука на дно. Подрібніть мигдаль в порошок конусом (К3с). Перемішайте у салатниці мелений мигдаль, вершки і корицю. Викладіть суміш на яблука і посипте цукром. Поставте блюдо в духовку, готуйте при температурі 160 °С.

POPIS:

- A Snímatelná hlavice mlýnku
 - A1 Hliníkové tělo
 - A2 Šnek
 - A3 Samoostřící nerezový křížový nůž
 - A4 Sítka
 - A4a Sítko s malými otvory (2,4 mm) *(podle typu)*
pro velmi jemné mletí
 - A4b Sítko se středně velkými otvory (4,7 mm)
pro jemné mletí
 - A4c Sítko s velkými otvory (8 mm)
pro hrubé mletí
 - A5 Hliníková matice
- B Snímatelná miska
- C Přítlačný kolík na maso
- D Kryt úložného prostoru příslušenství
- E Uvolňovací tlačítko hlavice mlýnku
- F Tlačítko zapnuto/vypnuto (0-1)
- G Tlačítko „Reverse“ (dočasný zpětný chod)
- H Motorový blok
- I Příslušenství KEBBÉ
 - I1 Protlačovací nástavec
 - I2 Prstenec
- J Nástavec na plnění klobás *(podle typu)*
 - J1 Centrovač šneku
 - J2 Nástavec
- K Řezací adaptér na zeleninu *(podle typu)*
 - K1 Prostor pro kužel/plnicí hrdlo
 - K2 Pěchovátko
 - K3 Kužely
 - K3a Kužel na strouhání
 - K3b Kužel na krájení
 - K3c Kužel na škrábání

BEZPEČNOSTNÍ POKYNY

- Před prvním použitím přístroje si pozorně přečtěte návod k použití: používání, které není v souladu s tímto návodem, zbavuje Moulinex veškeré odpovědnosti.
- Přístroj není určen k tomu, aby ho používaly osoby se sníženými fyzickými, smyslovými či duševními schopnostmi (včetně dětí). Osoby s nedostatečnými zkušenostmi či vědomostmi mohou přístroj používat pouze tehdy, pokud je osoba zodpovídající za jejich bezpečnost předem seznámí s jeho použitím a pod dohledem je naučí přístroj používat.
- Dohlédněte na to, aby děti s přístrojem nemanipulovaly.
- Ujistěte se, že napájecí napětí vašeho přístroje odpovídá napětí ve vaší elektrické síti.
- Při jakémkoli chybném připojení k síti záruka zaniká.
- Tento přístroj je určen výhradně pro kuchyňské využití v domácnosti, uvnitř bytu a pod dohledem. Přístroj používejte na rovné, čisté a suché ploše.
- Dbejte na to, aby se během provozu nad příslušenstvím nenacházely dlouhé vlasy, šála nebo kravata.
- Přístroj odpojte od sítě po ukončení práce, při čištění, instalaci nebo při výměně příslušenství.

- Pokud přístroj nefunguje správně nebo byl poškozený, nepoužívejte ho. V takovém případě se obraťte na autorizovaný servis Moulinex (viz seznam v servisní knížce).
- Běžnou údržbu a čištění provádí zákazník, jakýkoliv jiný zásah musí provádět autorizované servisní středisko Moulinex.
- Pokud je napájecí kabel poškozený, přístroj nepoužívejte. V zájmu bezpečnosti nechte kabel vyměnit v autorizovaném servisu Moulinex (viz seznam v servisní knížce).
- Přístroj, napájecí kabel nebo zástrčku nikdy nedávejte do vody ani do žádné jiné tekutiny.
- Napájecí kabel ukládejte mimo dosah dětí.
- Napájecí kabel nesmí být v blízkosti nebo ve styku s horkými tělesy, zdroji tepla nebo s ostrými hranami.
- V zájmu vlastní bezpečnosti používejte pouze příslušenství a náhradní díly Moulinex, které jsou určené pro váš přístroj.
- Nepoužívejte přístroj déle než 14 minut.
- Pro zachování vaší bezpečnosti je tento přístroj v souladu s těmito platnými normami a nařízeními:
 - Směrnice pro nízké napětí
 - O elektromagnetické kompatibilitě
 - Pro životní prostředí
 - Pro materiály přicházející do styku s potravinami.

PŘED PRVNÍM POUŽITÍM:

Všechna příslušenství omyjte mýdlovou vodou. Opláchněte a ihned je pečlivě osušte.

Sítka a nůž musí zůstat mastné. Potřete je olejem.

Nenechte přístroj běžet naprázdno, pokud sítká nejsou mastná.

UPOZORNĚNÍ: Zacházejte s kužely opatrně, protože čepele kuželů jsou velmi ostré.

UVEDENÍ DO CHODU:

HLAVICE MLÝNKU (A):

Sestavení hlavice mlýnku (schéma 1.1 a 1.2)

Uchopte tělo A1 za hrdlo nejširším otvorem směrem nahoru. Potom zasuňte šnek A2 (dlouhou osou napřed) do těla A1.

Nasadte nerezový nůž A3 na krátkou osu přesahující šnek A2 tak, aby řezné hrany nože směřovaly ven. Vložte vámi zvolené sítko na nůž A3 tak, aby výčnělek sítky zapadl do drážky těla A1.

Důkladně našroubujte (ne na doraz) matici A5.

Nasazení hlavice mlýnku na přístroj (schéma 2):

- Nasadte hlavici mlýnku s hrdlem nakloněným doprava do přední části odpojeného motorového bloku H. Nasadte 2 výčnělky hlavice mlýnku na 2 drážky motorového bloku.

Důkladně zasuňte hlavici mlýnku do motorového bloku H a otočte hrdlo doleva až k zarážce (hrdlo tak bude ve svislé poloze).

- Nasadte snímatelnou misku B na výčnělky hrdla hlavice.

Zapojte přístroj, který je nyní připraven k použití.

Použití:

Připravte si potřebné množství potravin k rozemletí, odstraňte kosti, chrupavky a šlachy.

Maso nakrájejte na kousky (přibližně 2 x 2 cm).

Pod hlavici mlýnku umístěte nádobu.

Stisknutím „I“ na tlačítku zapnuto/vypnuto F se přístroj uvede do chodu.

Na misku B umístěte kousky masa a postupně je zasouvejte do hrdla pomocí přítlačného kolíku C.

Nikdy nestrkejte prsty nebo jiné nástroje do hrdla.

Jemnou hmotu na kebbé nebo keftu získáte tak, že maso necháte projít hlavici mlýnku 2x až 3x, dokud nezískáte požadovanou jemnost.

Užitečná rada:

Po ukončení mletí můžete zbytky masa vytlačit několika kousky chleba.

Co dělat v případě ucpání? (schéma 3)

Stisknutím „0“ na tlačítku zapnuto/vypnuto F mlýnek vypněte.

Poté na několik sekund stiskněte tlačítko „Reverse“ G, aby se potraviny uvolnily.

Stisknutím „I“ na tlačítku zapnuto/vypnuto F bude mletí pokračovat.

Důležité upozornění: Než aktivujete „zapnutí“ F nebo „Reverse“ G, vyčkejte, dokud se přístroj zcela nezastaví.

PŘÍSLUŠENSTVÍ NA KEBBÉ (I)

Sestavení (schéma 4):

Zasuňte šnek A2 do těla A1 hlavice mlýnku. Umístěte protlačovací nástavec I1 tak, aby výčnělek zapadl do drážky těla A1.

Umístěte prsteneč I2 na protlačovací nástavec a důkladně našroubujte matici A5.

Nasaďte takto sestavenou hlavici na motorový blok (viz schéma 4).

Poznámka: toto příslušenství se používá bez sítka a bez nože.

NÁSTAVEC NA PLNĚNÍ KLOBÁS (J) (podle typu)

Pomocí tohoto příslušenství, které se nasazuje na hlavici mlýnku, můžete připravovat všechny druhy klobás a okořenit je dle vlastní chuti.

Sestavení (schéma 5)

Zasuňte šnek A2 do těla A1 hlavice mlýnku. Umístěte centrovač šneku J1 tak, aby výčnělek zapadl do drážky těla A1. Nasaďte nástavec J2, pak matici A5 a důkladně ji našroubujte. Nasaďte takto sestavenou hlavici na motorový blok (viz schéma 5).

Poznámka: toto příslušenství se používá bez sítka a bez nože. Při přípravě tohoto pokrmu udržuje centrovač šneku šnek ve správné poloze.

Použití:

Důležité upozornění: toto příslušenství se používá až poté, co jste maso umleli, dochutili a důkladně směs promíchali.

Vložte střívko do vlažné vody, aby získalo pružnost, pak ho natáhněte na nástavec J2 tak, aby přečnivalo asi 5 cm. Umleté maso vložte do hrdla těla A1 hlavice mlýnku A, uveďte do chodu a pomocí přítlačného kolíku C stlačte umleté maso tak, aby se dostalo na konec nástavce.

Přístroj vypněte.

Ze střívka přečnivajícího 5 cm vytvořte uzel. Posuňte uzel na konec nástavce a dbejte na to, aby se do střívka nedostal vzduch.

Znovu zapněte a plňte umletým masem. Posouvajte střívko podle toho, jak se naplňuje. Aby se střívko příliš nenaplnilo, netvořte moc velké klobásky.

Poznámka: tato práce se snaže dělá ve dvou; jeden plní umletým masem a druhý drží plněné střívko.

Podle požadované délky klobásky střívko stiskněte a otáčejte.

Pokud chcete mít kvalitní klobásku, snažte se, aby se během plnění nedostal do střívka vzduch a aby klobásky byly 10 až 15 cm dlouhé (klobásky oddělte uzlem z provázku).

ŘEZACÍ ADAPTÉR NA ZELENINU (K) (podle typu)

Sestavení (schéma 6):

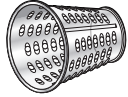


Nasaďte plnicí hrdlo K1 nakloněné doprava na odpojený motorový blok tak, aby se výčnělky na hrdle kryly s otvory v motorovém bloku H. Umístěte hřídel přečnivající plnicí hrdlo K1 do osy motorového bloku H. Otočte plnicím hrdlem K1 doleva až k zarážce.

Použití:

- Zvolte kužel odpovídající požadovanému použití.
- Vložte kužel do otvoru přední části prostoru pro kužel K1; kužel musí být správně zasunut až na konec unášče (schéma 7).
- Zapojte přístroj.
- Jedním nebo dvěma stisky na tlačítko zapnuto/vypnuto F kužel uzamknete (schéma 8).
- Uveďte přístroj do chodu a vložte potraviny do plnicího hrdla K1 (schéma 9) a tlačte je pomocí pěchovátka K2 (schéma 10).
- Chcete-li vyměnit kužel, vyčkejte, dokud se zcela nezastaví; na 1 sekundu stiskněte tlačítko „reverse“ G, kužel se automaticky uvolní (schéma 11).

UPOZORNĚNÍ: Před zapnutím přístroje zkontrolujte, zda je kužel na unášeci správně umístěn.

Použijte kužel doporučený pro každý druh potravin:

	(*) Kužel na strouhání K3a 	(*) Kužel na krájení K3b 	(*) Kužel na škrabání K3c 
Mrkev	X	X	
Tykev	X	X	
Brambory	X	X	
Okurka	X	X	
Paprika	X	X	
Cibule		X	
Řepa		X	
Zelí (bílé/červené)		X	
Jablko		X	
Černá ředkev	X	X	
Celer	X		
Banán		X	
Parmazán			X
Ementál	X	X	
Čokoláda	X		X
Tvrký chléb/suchary			X
Lískové ořechy/ořechy/mandle			X
Kokosový ořech			X

(*) *podle typu*

Rady, jak docílit dobrých výsledků:

Abyste dosáhli uspokojivých výsledků a nedocházelo k hromadění potravin v plnicím hrdle, musí být použité přísady pevné. Nepoužívejte přístroj ke strouhání nebo krájení příliš tvrdých potravin, jako je cukr nebo kusy masa. Potraviny nakrájejte, aby se vám snáze vkládaly do plnicího hrdla.

ČIŠTĚNÍ:

- **Vždy před každým čištěním motorového bloku H přístroj vypojte ze sítě.**
- Motorový blok neponořujte a neoplachujte vodou. Otřete ho vlhkým hadříkem. Pečlivě ho osušte.

1) Příslušenství mlýnek na maso:

- Odjistěte hlavici nebo příslušenství řezacího adaptéru na zeleninu stiskem tlačítka E.
- Otočte hlavici mlýnku A směrem doprava a tahem směrem k vám ji uvolněte z motorového bloku H.
- Hlavici mlýnku A rozeberete tak, že vyjmete přítlačný kolík C a odeberete miskou B, odšroubujete matici A5, vyjmete sítko A4, nůž A3 a šnek A2.
- S ostrými díly zacházejte opatrně.
- Umyjte všechny díly v teplé mýdlové vodě, důkladně je opláchněte a osušte.
- Hlavici mlýnku A nedávejte do myčky nádobí (platí pro tělo mlýnku A1, šnek A2, matici A5, nůž A3 a sítko A4).

2) Příslušenství řezacího adaptéru na zeleninu (podle typu):

- Plnicí hrdlo (K1), pěchovátka (K2), kužely (K3a, K3b, K3c) lze dát do myčky nádobí do horního koše při spuštění programu „ECO“ nebo „MÁLO ZNEČIŠTĚNÉ NÁDOBÍ“.
- **Zacházejte s kužely opatrně, protože čepele kuželů jsou velmi ostré.**
- Pokud jsou některé plastové části zbarveny potravinami, jako je mrkev, otřete je hadříkem namočeným v jedlém oleji a poté je umyjte běžným způsobem.

ÚLOŽNÝ PROSTOR:

Sítka, nůž, centrovač šneku, příslušenství na přípravu kebbé a klobás (I1, I2 a J1, J2) lze ukládat v zadní části přístroje (kryt úložného prostoru D).

CO DĚLAT, KDYŽ VÁŠ PŘÍSTROJ NEFUNGUJE?

Zkontrolujte zapojení.

Pokud přístroj stále nefunguje, obraťte se na autorizovaný servis Moulinex (viz seznam v servisní knížce).

KDYŽ DOSLOUŽÍ ELEKTRICKÉ NEBO ELEKTRONICKÉ VÝROBKY

Podílejte se na ochraně životního prostředí!



- ❶ Váš přístroj obsahuje četné zhodnotitelné nebo recyklovatelné materiály.
- ➡ Odneste ho ke zpracování do sběrného střediska nebo autorizovaného servisu.

RECEPTY

Poznámka: při přípravě receptů vyžadujících vysoký výkon nepoužívejte přístroj déle než 20 s.

Příklad receptů (se sítkem se středně velkými otvory 4,7 mm A4b):

KIBBE BI LABAN (knedlíčky kibbé s jogurtem)

pro 6 osob - příprava: 1 h Odpočínutí: 1 h v lednici

Přísady na těsto kibbé: 600 g masa - 300 g bulguru (drcená pšenice) - sůl

Přísady do omáčky: 1 kg jogurtu - 1 svazek koriandru - 4 stroužky česneku - 3 polévkové lžíce maizeny - sůl a pepř

1. Maso nakrájejte na 4 díly. Do mlýnku vložte sítko 4,7 mm. Při mletí masa přidejte bulgur. Osolte a nechte těsto odležet v chladu 1 hodinu.
2. Příprava knedlíčků kibbé: přidejte k mlýnku příslušenství kibbé. Protlačte těsto, uzavřete knedlíčky spojením konců s použitím trochy vody.
3. Příprava omáčky: omyjte svazek koriandru, osušte ho pomocí svého papíru a oddělte listy. Olupejte česnek a rozdrťte jej. Česnek s koriandrem nechte smažit na pánvi na mírném ohni po dobu 1 až 2 minut. Odstavte.
4. Ušlehejte jogurt s maizenou, osolte a opepřete. Celou směs přecedte přes jemné sítko do hrnce. Na mírném ohni přiveďte směs k varu a poté oheň ztlumte. Stále směs míchejte, aby se jogurt nepřipálil.
5. Přidejte česnek a koriandr. Knedlíčky kibbé vařte 10 minut ve vodě těsně pod bodem varu.

Na jiný způsob: Knedlíčky je možné naplnit (směsí z cibule a mletého masa, kterou jsme předtím osmahli na malém množství oleje s několika piniovými oříšky).

BRIOUATS (ROLKY)

pro 4 osoby - příprava: 40 min. Doba tepelné úpravy: 35 min.

Přísady: 250 g listového těsta - 350 g hovězího masa - 1 cibule - 2 vejce - mletá paprika - skořice a práškový zázvor - petržel - koriandr - kerblík - cukr - 60 g másla - olivový olej

1. Do mlýnku vložte sítko 4,7 mm. Nakrájejte cibuli na 8 dílů a protlačte ji mlýnkem. Na pánvi zahřejte 4 polévkové lžíce olivového oleje a přidejte cibuli. Zpěňte ji na mírném ohni, aniž by se osmahla dozlatova. Odstavte.
2. Umelte hovězí maso. Osmahněte ho s cibulí na mírném ohni po dobu 10 minut. Odstavte.
3. Protlačte mlýnkem bylinky. Pak je přidejte na pánev se solí a pepřem, polovinou kávové lžičky mleté papriky, špetkou zázvoru a malou lžičkou skořice.
4. Dále přidejte rozšlehaná vejce, zamíchejte a ukončete var.
5. Vyválejte tenké listové těsto. Nakrájejte čtverečky o délce strany 10 cm. Po obvodu je potřete máslem.
6. Na každý čtvereček dejte malou lžičku nádivky. Pak je srolujte a spojte okraje.
7. Usmažte briouaty na rozpáleném oleji. Po usmažení je chvíli ponechte na svém papíru. Posypte je cukrem a skořicí. Podávejte horké.

Na jiný způsob:

Do mlýnku vložte sítko 4,7 mm. Nakrájejte cibuli na 8 dílů. Umelte trochu masa, protlačte cibuli mlýnkem. Vložte ještě trochu masa, přidejte bylinky a nakonec zbytek masa. Rozšlehejte vejce a přidejte je do nádivky se solí a pepřem, polovinou kávové lžičky mleté papriky, špetkou zázvoru a malou lžičkou skořice. Směs promíchejte. Dále postupujte jako v bodech 5 až 7.

PIROJKI

(rybí pirožky)

pro 4 osoby - příprava: 25 min. Doba tepelné úpravy: 10-15 min.

Přísady: 250 g listového těsta - 300 g vařené ryby nebo uzeného lososa - 2 vařená vejce natvrdo - 1 svazek kopru - 2 cibule - 100 g slaného másla nakrájeného na kostičky - olej

1. Do mlýnku vložte sítko 4,7 mm. Nakrájejte cibuli na 8 dílů a protlačte je mlýnkem. Osmahněte je na mírném ohni na pánvi s trochou oleje. Odstavte.
2. Umelte trochu rybího masa, přidejte dušenou cibuli, máslo, kopr a nakonec protlačte zbytek rybího masa.
3. Vyválejte tenké listové těsto, pomocí sklenice nebo šálku vykrajujte z těsta kolečka (přiměřené velikosti).
4. Předehřejte troubu na 210 °C (stupeň termostatu 6).
5. Na každé kolečko dejte trochu nádivky, přeložte těsto a na okrajích spojte.
6. Pečte v troubě dozlatova 10 až 15 minut.

Hovězí kuličky

pro 4 osoby - příprava: 20 min. Doba tepelné úpravy: 10-15 min.

Přísady: 1 kg hovězího masa - 1 cibule - 1 stroužek česneku - 2 plátky tmavého chleba namočeného v mléce - 2 vejce - 1 brambora - mouka - sůl a pepř

1. Pro tento recept vyberte kousky hovězího masa s nízkým obsahem tuku. Protlačte maso s plátky chleba mlýnkem na maso.
2. Nakrájejte cibuli s použitím kužele na krájení (K3b), česnek a brambory nastrouhejte kuželem na strouhání (K3a).
3. Umluté maso smíchejte s chlebem, nakrájenou cibulí, česnekem a bramborou.
4. Do umleté směsi přidejte vejce, mletý černý pepř, sůl a tvořte knedlíčky.
5. Knedlíčky obalte v mouce a usmažte na oleji.

Pečený bramborový puding

pro 4 osoby - příprava: 30 min. Doba tepelné úpravy: 45 min.

Přísady: 400 g umletého masa - 1 kg brambor - 2 vejce - 2 sklenice mléka - 1 stroužek česneku - 1,5 polévkové lžíce másla - 2 polévkové lžíce oleje - sůl a pepř

1. Brambory očistěte, opláchněte a osušte. Nakrájejte je kuželem na krájení (K3b).
2. Hovězí maso protlačte mlýnkem a umleté maso smažte na pánvi s olejem po dobu 5 minut.
3. Vnitřek mísy potřete česnekem a vymažte částí másla.
4. Postupně ve vrstvách pokládejte 2/3 brambor a umleté maso, osolte, opepřete a přidejte zbývající brambory.
5. Ušlehejte vejce s teplým mlékem a směs nalijte na brambory. Přidejte zbývající máslo. Pečte v troubě při střední teplotě po dobu 45 minut.

Zapékaná jablka s mandlemi

pro 4 osoby - příprava: 40 min. Doba tepelné úpravy: 30 min.

Přísady: 6 jablek - 60 g surového cukru - 50 g másla - 50 g celých mandlí - 20 cl smetany - 1 kávová lžička skořice
Jablka oloupejte, odstraňte jádra a nakrájejte na čtvrtiny. Nakrájejte na plátky kuželem na krájení (K3b) a usmažte je na 30 g másla. Mísu na zapékání lehce potřete máslem a na dno rozložte karamelizovaná jablka. Z mandlí vytvořte prášek pomocí kužele na škrabání (K3c). V salátové míse smíchejte mandlový prášek, smetanu a skořici. Takto připravenou směs nalijte na jablka a posypte surovým cukrem. Pečte v troubě při teplotě 160 °C.

OPIS:

- A Odoberateľná hlava mlynčeka
 - A1 Hliníkové telo
 - A2 Skrutka
 - A3 Samoostriaci nerezový nôž
 - A4 Mriežky
 - A4a Mriežka s malými otvormi (2,4 mm) *(v závislosti od modelu)* na veľmi jemné mletie
 - A4b Mriežka so stredne veľkými otvormi (4,7 mm) na jemné mletie
 - A4c Mriežka s veľkými otvormi (8 mm) na hrubšie mletie
 - A5 Hliníková matica
- B Odoberateľná doska
- C Posúvač na mäso
- D Kryt na odkladanie príslušenstva
- E Tlačidlo na uvoľnenie hlavy mlynčeka
- F Tlačidlo zapínania/vypínania (0–1)
- G Tlačidlo „Reverse“ (dočasný spätný chod)
- H Jednotka motora
- I Príslušenstvo na prípravu KEBBE
 - I1 Závitový nástavec
 - I2 Krúžok
- J Lievik na prípravu klobás *(v závislosti od modelu)*
 - J1 Centrovač skrutky
 - J2 Lievik
- K Strúhač na zeleninu *(v závislosti od modelu)*
 - K1 Kuželový zásobník/komín
 - K2 Posúvač
 - K3 Kuželové násadce
 - K3a Kuželový násadec na jemnejšie strúhanie
 - K3b Kuželový násadec na krájanie na plátky
 - K3c Kuželový násadec na hrubšie strúhanie

BEZPEČNOSTNÉ ODPORÚČANIA:

- **Pred prvým použitím svojho prístroja si pozorne prečítajte návod na používanie: spoločnosť Moulinex nenesie žiadnu zodpovednosť za použitie, ktoré nie je v súlade s návodom na používanie.**
- **Tento prístroj nie je určený na používanie osobami (vrátane detí) so zníženými fyzickými, zmyslovými alebo mentálnymi schopnosťami alebo osobami, ktoré o prístroji nemajú potrebné vedomosti či skúsenosti s ním, pokiaľ nie sú pod dozorom zodpovednej osoby alebo im taká osoba predtým neposkytla pokyny týkajúce sa používania prístroja.**
- **Dohliadnite na to, aby sa deti nehrali s prístrojom.**
- Skontrolujte, či napätie predpísané pre váš elektrický prístroj zodpovedá napätiu vo vašej elektrickej sieti.
- **Akékoľvek chybné zapojenie do elektrickej siete ruší záruku.**
- Váš prístroj je určený iba na používanie v domácnosti, vo vnútri a pod dozorom.
- Prístroj používajte na rovnej čistej a suchej ploche.
- Počas prevádzky prístroja nikdy nenechávajte nad príslušenstvom visieť dlhé vlasy, šerpy či kravaty.
- Prístroj odpojte od elektrickej siete, keď ho prestanete používať, počas jeho čistenia alebo pri vkladaní a vyberaní príslušenstva.
- Svoj prístroj nepoužívajte, ak nefunguje správne alebo bol poškodený. V takých prípadoch sa obráťte na autorizované servisné stredisko Moulinex (viď zoznam v servisnej knižke).

- Akýkoľvek iný zásah zo strany zákazníka, ako je čistenie alebo bežná údržba, sa musí vykonať v autorizovanom servisnom stredisku Moulinex.
- Ak je kábel poškodený, prístroj nepoužívajte. Aby sa predišlo všetkým rizikám, musí byť vymenený v autorizovanom servisnom stredisku (viď zoznam v servisnej knižke).
- Prístroj, napájací kábel alebo zástrčku nikdy nedávajte do vody ani do žiadnej inej kvapaliny.
- Napájací kábel nenechávajte v dosahu detí.
- Napájací kábel sa nikdy nesmie nachádzať v blízkosti alebo v kontakte s horúcimi časťami, v blízkosti zdroja tepla alebo na ostrej hrane.
- Pre svoju bezpečnosť používajte iba príslušenstvo a odnímateľné diely Moulinex, ktoré sú určené pre váš prístroj.
- Prístroj nepoužívajte dlhšie ako 14 minút.
- Pre vašu bezpečnosť je tento prístroj v zhode s platnými normami a predpismi
 - Smernica o nízkom napätí
 - Smernica o elektromagnetickej kompatibilite
 - Smernica o životnom prostredí
 - Smernica o materiáloch v kontakte s potravinami

PRED PRVÝM POUŽITÍM:

Umyte všetko príslušenstvo vo vode so saponátom. Opláchnite a hneď poriadne utrite dosucha.

Mriežka a nôž musia zostať masťné. Namažte ich olejom.

Mlynček nenechávajte bežať naprázdno, ak mriežky nie sú namazané.

POZOR: Čepele kužeľových násadcov sú veľmi ostré, narábajte s násadcami opatrne a vždy ich chytajte za plastové časti.

SPUSTENIE:

HLAVA MLYNČEKA (A):

Montáž hlavy mlynčeka (nákresy 1.1 a 1.2)

Uchopte telo **A1** za komín tak, aby najväčší otvor smeroval hore. Potom vložte skrutku **A2** (dlhá os najprv) do tela **A1**.

Nasadte nerezový nôž **A3** na krátku os, ktorá vyčnieva zo skrutky **A2**, ostrými hranami smerom von. Mriežku podľa svojho výberu nasadte na nôž **A3** tak, aby kolíky zapadli do drážok na tele **A1**.

Úplne zaskrutkujte maticu **A5** (bez zablokovania).

Nasadenie hlavy mlynčeka na prístroj (nákras 2):

Na strane jednotky motora **H**, ktorá je odpojená od siete, priložte hlavu mlynčeka s komínom nakloneným do-prava. 2 kolíky hlavy mlynčeka dajte do súladu s 2 drážkami jednotky motora.

Poriadne nasadte hlavu mlynčeka na jednotku motora **H** a komín otáčajte doľava až na doraz (komín potom musí byť vo zvislej polohe).

Nasadte odoberateľnú dosku **B** na kolíky na komíne hlavy mlynčeka.

Zapojte prístroj do siete, je pripravený na použitie.

Používanie:

Pripravte si celé množstvo potravín, ktoré si želáte zomlieť, odstráňte kosti, chrupky a šľachy.

Nakrájajte mäso na kúsky (približne 2 cm x 2 cm).

Pod hlavu mlynčeka vložte nádobku.

Stlačte tlačidlo zapínania/vypínania **F** do polohy „I“ pre zapnutie prístroja.

Položte kúsky mäsa na dosku **B** a po jednom ich posúvajte do komína za pomoci posúvača na mäso **C**.

Nikdy mäso nevtlačajte do komína za pomoci prstov ani nijakého nástroja.

Ak pripravujete jemné cesto na Kebbe alebo Kefta, nechajte mäso prejsť 2 až 3 krát hlavou mlynčeka, kým nedosiahnete želané jemné rozomletie.

Tip:

Na konci mletia môžete nechať mlynčekom prejsť niekoľko kúskov chleba, aby ste mlynček očistili od kúskov rozomletého mäsa.

Ako treba postupovať v prípade upchatia? (nákras 3)

Zastavte mlynček stlačením tlačidla zapínania/vypínania **F** do polohy „0“.

Na niekoľko sekúnd podržte stlačené tlačidlo spätného chodu „Reverse“ **G**, aby ste uvoľnili potraviny.

Stlačte tlačidlo zapínania/vypínania F do polohy „I“ pre pokračovanie v mletí.

Dôležité: počkajte, kým sa prístroj úplne nezastaví, až potom manipulujte s ovládačom zapínania F alebo ovládačom spätného chodu „Reverse“ G.

PRÍSLUŠENSTVO NA PRÍPRAVU KEBBE (I)

Montáž (nákres 4):

Vložte skrutku A2 do tela A1 hlavy mlynčeka. Založte závitový nástavec I1 zladením kolíka s drážkou na tele A1.

Založte krúžok I2 na závitový nástavec, potom zaskrutkujte maticu A5 až na doraz.

Takto zmontovanú hlavu založte na jednotku motora, ako sa znázorňuje na **nákrese 4**.

Poznámka: toto príslušenstvo sa používa bez mriežky a noža.

LIEVIK NA PRÍPRAVU KLOBÁS (J) (v závislosti od modelu)

Toto príslušenstvo sa zakladá na hlavu mlynčeka a umožní vám vyrábať klobásy akéhokoľvek druhu, ktoré si okoreníte podľa vlastnej chuti.

Montáž (nákres 5):

Vložte skrutku A2 do tela A1 hlavy mlynčeka. Založte centrovač skrutky J1 zladením kolíka s drážkou na tele A1. Potom vložte lievik J2 a maticu A5 zaskrutkujte na doraz. Takto zmontovanú hlavu mlynčeka založte na jednotku motora, ako sa znázorňuje na **nákrese 5**.

Poznámka: toto príslušenstvo sa používa bez mriežky a noža. Centrovač skrutky umožňuje počas prípravy potravín udržať skrutku v danej polohe.

Používanie:

Dôležité: toto príslušenstvo sa môže používať až po pomletí mäsa, pridaní korenia a riadneho premiešania prípravy.

Nechajte črevo namočené vo vlažnej vode, aby znova nadobudlo svoju pružnosť, natiahnite ho na lievik J2 tak, aby z neho zostalo voľne visieť približne 5 cm.

Naplňte komín tela A1 hlavy mlynčeka A mletým mäsom, zapnite a tlačte posúvačom C tak, aby ste mäso pretlačili na koniec lievika.

Zastavte prístroj.

Urobte uzol na 5 cm čreva, ktoré prečnieva. Posuňte uzol na koniec lievika, aby ste zabránili zhromažďovaniu vzduchu v čreve.

Prístroj znova spustíte a pokračujte vo vkladaní mletého mäsa. Sledujte črevo, aby sa správne naplňalo. Aby sa črevo príliš nenapínalo, nerobte príliš veľké klobásy.

Poznámka: táto práca sa jednoduchšie vykonáva vo dvojici, jedna osoba dopĺňa mleté mäso a druhá pridáva črevo počas jeho naplňovania.

Dajte klobásam želanú dĺžku zachytávaním a obracianím čreva z miesta na miesto.

Aby ste vyrobili kvalitné klobásy, dbajte o to, aby v čreve pri naplňaní neuviazol vzduch, a vyrábajte klobásy s dĺžkou 10 až 15 cm (oddeľte klobásy za pomoci šnúrky a robte ňou uzly).

KRÁJAČ NA ZELENINU (K) (v závislosti od modelu)

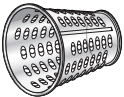


Montáž (nákres 6):

Pri jednotke motora, ktorá je odpojená od siete, priložte zásobník K1 naklonený smerom doprava, zladte uši na zásobníku s otvormi na jednotke motora H. Umiestnite tyčku vyčnievajúcu zo zásobníka K1 do osi jednotky motora H. Dajte komín zásobníka K1 doľava až na doraz.

Používanie:

- Vyberte príslušný kuželový násadec podľa želaného použitia.
- Umiestnite vybraný kuželový násadec do otvoru v prednej časti zásobníka K1, kuželový násadec musí byť príslušne zavedený až na dno vodiča (**nákres 7**).
- Zapojte prístroj do elektrickej siete.
- Stlačte raz alebo dvakrát tlačidlo zapínania/vypínania F pre zablokovanie kuželového násadca (**nákres 8**),
- Zapnite prístroj a vložte potraviny cez komín zásobníka K1 (**nákres 9**), tlačte ich za pomoci posúvača K2 (**nákres 10**).
- Pre výmenu kuželového násadca počkajte na úplné zastavenie kuželového násadca, stlačte na 1 sekundu tlačidlo spätného chodu G, kuželový násadec sa vysunie automaticky (**nákres 11**).

POZOR: Pred spustením prístroja sa ubezpečte, že kuželový násadec je správne nasadený na vodiči. Používajte kuželové násadce určené na daný typ potravín:

	(*) Na jemné strúhanie K3a	(*) Na krájanie na plátky K3b	(*) Na hrubšie strúhanie K3c
			
Mrkva	X	X	
Tekvica	X	X	
Zemiaky	X	X	
Uhorky	X	X	
Paprika	X	X	
Cibuľa		X	
Repa		X	
Kapusta (biela/červená)		X	
Jablká		X	
Čierna redkvička	X	X	
Zeler	X		
Banán		X	
Parmezán			X
Syr Gruyère	X	X	
Čokoláda	X		X
Sucháre/keksy			X
Lieskové oriešky/orechy/mandle			X
Kokosový orech			X

(*) v závislosti od modelu

Rady pre dosiahnutie výborných výsledkov:

Prísady, ktoré používate, musia byť tuhé, aby ste dosiahli uspokojivé výsledky a zabránili zhromažďovaniu potravín v zásobníku. Nepoužívajte prístroj na strúhanie ani na krájanie príliš tvrdých potravín, ako je cukor alebo tvrdé kusy mäsa.

Potraviny nakrájajte, aby ste ich jednoduchšie vložili do komína zásobníka.

ČISTENIE:

- Pred čistením jednotky motora H vždy odpojte prístroj od elektrickej siete.
- Jednotku motora neponárajte do vody, ani nedávajte pod tečúcu vodu. Čistite jednotku motora za pomoci navlhčenej handričky. Poriadne ju osušte.

1) Príslušenstvo mlynčeka na mäso:

- Odblokujte hlavu alebo príslušenstvo strúhadla na zeleninu stlačením tlačidla E.
- Otočte hlavou mlynčeka A doprava a potiahnite smerom k sebe pre odpojenie jednotky motora H.
- Pre odmontovanie hlavy mlynčeka A odoberte posúvač C a dosku B, odskrutkujte maticu A5, odoberte mriežku A4, nôž A3 a skrutku A2.
- S ostrými dielmi manipulujte opatrne.
- Umyte všetky časti v teplej vode so saponátom, opláchnite a starostlivo osušte.
- Hlavu mlynčeka A neumývajte v umývačke riadu (tzn. teleso A1, skrutku A2, maticu A5, nôž A3 a mriežky A4).

2) Príslušenstvo strúhadla zeleniny (v závislosti od modelu) :

- Zásobník (K1), posúvač (K2), kuželové násadce (K3a, K3b, K3c) sa môžu umývať v umývačke riadu v hornom koši za použitia ekologického programu „ECO“ alebo programu na umývanie málo znečisteného riadu „PEU SALE“.
- S kuželovými násadkami narábajte opatrne, keďže ich čepele sú veľmi ostré.
- V prípade, že sa plastové časti zafarbia potravinami, ako je napríklad mrkva, vytrite ich handričkou namočenou do potravinárskeho oleja, potom ich vyčistite štandardným spôsobom.

ODKLADANIE:

Mriežky, nôž, centrovač skrutky, príslušenstvo na prípravu Kebbé a klobás (I1, I2 a J1, J2) sa môžu odkladať v zadnej časti prístroja (kryt na odkladanie D).

ČO ROBIŤ, AK VÁŠ PRÍSTROJ NEFUNGUJE?

Skontrolujte zapojenie do siete.

Váš prístroj aj naďalej nefunguje, obráťte sa na autorizované servisné stredisko Moulinex (pozri zoznam v servisnej knižke).

ELEKTRICKÉ ALEBO ELEKTRONICKÉ VÝROBKY NA KONCI SVOJEJ ŽIVOTNOSTI

Chráňme životné prostredie!



① Váš prístroj obsahuje veľa cenných alebo recyklovateľných materiálov.

② Likvidujte ho v zbernom mieste alebo v autorizovanom servisnom stredisku, aby došlo k jeho správnej likvidácii.

RECEPTY

Dôležité: v prípade receptov, ktoré si vyžadujú zvýšený výkon, nesmie čas používania prístroja presiahnuť 20 sekúnd.

Príklad receptu (za použitia mriežky so stredne veľkými otvormi 4,7 mm A4b):

KIBBE BI LABAN (gul'ky kibbé s jogurtom)

6 osoby - príprava: 1 hodina Odstátie: 1 hodinu v chladničke

Prísady do cesta na kibbé: 600 g mäsa - 300 g bulguru (drvená pšenica) - soľ

Prísady do omáčky: 1 kg jogurtu - 1 kyticčka koriandru - 4 strúčiky cesnaku - 3 polievkové lyžice maizeny - soľ, korenie

1. Nakrájajte mäso na 4 kúsky. Založte 4,7 mm mriežku na mlynček. Zomel'te mäso spolu s bulgurom. Posol'te a nechajte na 1 hodinu odstáť cesto v chlade.
2. Pre vytvarovanie guliek kibbé: vložte do mlynčeka príslušenstvo na cesto kibbé. Nechajte cesto zomlieť a vytvorte gul'ku spojením okrajov s troškou vody.
3. Príprava omáčky: umyte kyticčku koriandra, osušte v pijavom papieri a oddel'te lístky. Očistite cesnak a rozlaťte ho. Na miernom ohni na panvici pražte cesnak a koriander na 1 až 2 minúty. Odložte bokom.
4. Vymiešajte spolu jogurt a maizenu, posol'te a okoreňte. Celok vylejte do hrnca cez jemné sitko. Dovedte zmes do varu, potom sťište oheň. Strážte prípravu a občas premiešajte, aby sa jogurt nelepil na steny.
5. Pridajte cesnak a koriander. Gul'ky kibbé povarte 10 minút.

Iný spôsob: Gul'ky môžete tiež naplniť (zmesou cibule a mletého mäsa vopred pripraveného na troche oleja s nie-koľkými cibulkami).

BRIOUATS

4 osoby - príprava: 40 minút Doba varenia: 35 minút

Prísady: 250 g lístkového cesta - 350 g hovädzieho mäsa - 1 cibuľa - 2 vajcia - paprika - prášková škorica a d'umbier - petržlen - koriander - trebulka pravá - cukor - 60 g masla - olivový olej

1. Založte 4,7 mm mriežku na mlynček. Nakrájajte cibuľu na 8 kusov a zomel'te ju v mlynčeku. Zohrejte 4 polievkové lyžice olivového oleja na panvici a pridajte cibuľu. Opražte ju na miernom ohni, ale nenechajte ju zhnednúť. Odložte bokom.
2. Zomel'te hovädzie mäso. Opečte ho na miernom ohni spolu s cibulkami počas 10 minút. Odložte.
3. V mlynčeku zomel'te bylinky. Pridajte ich na panvicu so soľou a korením, polovicou kávovej lyžičky papriky, pridajte štipku d'umbiera a malú lyžičku škorice.
4. Pridajte rozšľahané vajcia, zamiešajte a odstavte.
5. Lístkové cesto rozložte natenko. Nakrájajte na štvorce so stranou 10 cm. Obvod natrite maslom.
6. Na každý štvorec dajte malú lyžičku plnky. Zatočte ich a spojte okraje.
7. Upražte briouats vo vriacom oleji. Po upražení ich nechajte na chvíľu odstáť na pijavom papieri. Posypte cukrom a škoricom. Podávajte veľmi teplé.

Iný spôsob:

Založte 4,7 mm mriežku na mlynček. Nakrájajte cibuľu na 8 kusov. Zomel'te časť mäsa a cibuľu.

Zomel'te ďalšiu časť mäsa, potom bylinky a nakoniec zvyšok mäsa. Rozbite vajcia a spolu so soľou a korením, polovicou malej lyžice papriky, štipkou d'umbiera a malou lyžičkou škoricice ich pridajte do plnky. Všetko zmiešajte. Zopakujte kroky 5 až 7.

PIROJKI (malé pirôžky s rybou)

4 osoby - príprava: 25 minút Doba varenia: 10 - 15 minút.

Prísady: 250 g lístkového cesta - 300 g pečenej ryby alebo údeného lososa - 2 natvrdo uvarené vajcia - 1 kytička kôpru - 2 cibule - 100 g slaného masla nakrájaného na malé kúsky - olej

1. Založte 4,7 mm mriežku na mlynček. Nakrájajte cibuľu na 8 kusov a zomel'te ich v mlynčeku. Opražte ich na miernom ohni na panvici s troškou oleja. Odložte.
2. Zomel'te časť ryby, pridajte opraženú cibuľku, maslo, kôpor a potom zvyšok ryby.
3. Lístkové cesto rozložte natenko, pohárom alebo miskou vykrojte kruhy (približne rovnako veľké).
4. Vyhrajte vopred rúru na 210 °C (t. 6).
5. Na každý kruh dajte trocha plnky, preložte a zlepte okraje.
6. Nechajte dohneda upiecť v rúre na 10 až 15 minút.

Hovädzie guľky

4 osoby - príprava 20 minút. Doba varenia: 10 - 15 minút.

Prísady: 1 kg hovädzieho mäsa - 1 cibuľa - 1 strúčik cesnaku - 2 plátky čierneho chleba namočeného v mlieku - 2 vajcia - 1 zemiak - múka - soľ, korenie

1. Pre tento recept zvolte chudšie kúsky hovädzieho mäsa. Zomel'te mäso v mlynčeku spolu s kúskami chleba.
2. Nakrájajte cibuľu na plátky za pomoci kuželového násadca na krájanie na plátky (**K3b**) a nastrúhajte cesnak a zemiak pomocou kuželového násadca na jemné strúhanie (**K3a**).
3. Zmiešajte pomleté mäso s chlebom, plátkami cibule, cesnakom a zemiakom.
4. Do zmesi pridajte vajcia, mleté čierne korenie a soľ a vyformujte guľky.
5. Guľky vyváľajte v múke a nechajte ich upražiť v oleji.

Zemiakový puding v rúre

4 osoby - príprava 30 minút. Doba varenia: 45 minút

Prísady: 400 g mletého mäsa - 1 kg zemiakov - 2 vajcia - 2 poháre mlieka - 1 strúčik cesnaku - 1,5 polievkovej lyžice masla - 2 polievkové lyžice oleja - soľ, korenie

1. Očistite, umyte a vysušte zemiaky. Nastrúhajte ich za pomoci kuželového násadca na krájanie na plátky (**K3b**).
2. Zomel'te hovädzie mäso v mlynčeku a pražte zomleté mäso 5 minút na oleji na panvici.
3. Potrite vnútro plechu na pečenie cesnakom a vymažte časťou masla.
4. Vo vrstvách nakladte 2/3 zemiakov a pomleté mäso, posolte, okoreňte a pridajte zvyšok zemiakov.
5. Rozšľahajte vajcia s teplým mliekom a túto zmes vylejte na zemiaky. Pridajte zvyšok masla. Nechajte piecť v rúre na 45 minút pri strednej teplote.

Zapekané jablká s mandľami

4 osoby - príprava 40 minút. Doba varenia: 30 minút

Prísady: 6 jablák - 60 g cukru kasonáda - 50 g masla - 50 g celých mandlí - 20 cl smotany - 1 kávová lyžička škoricice

Ošúpte jablká, vyberte jadierka a nakrájajte jablká na štvrtky. Nakrájajte ich na plátky pomocou nástavca na krájanie na plátky (**K3b**) a osmažte na 30 g masla. Jemne vymastite plech na zapekané zemiaky a rozložte karamelizované jablká na spodok. Nastrúhajte mandle pomocou násadca na hrubšie strúhanie (**K3c**). V šalátovej mise zmiešajte mandle, smotanu a škoricu. Získanú zmes nalejte na jablká a posypte cukrom kasonáda. Prípravu dajte do pece vyhriatej na 160 °C.

A KÉSZÜLÉK LEÍRÁSA:

- A Levehető darálófej
 - A1 Alumínium géptest
 - A2 Csavar
 - A3 Önélező inox aprítópenge
 - A4 Rácsok
 - A4a Apró lyukú rács (2.4mm) *(modell szerint)*
egész finomra daráláshoz
 - A4b Közepes lyukú rács (4.7mm)
finomra daráláshoz
 - A4c Nagylyukú rács (8mm)
durva daráláshoz
 - A5 Alumínium anya
- B Levehető tálca
- C Húsnymó
- D Kellék tároló rekesz fedele
- E Darálófej kioldó gomb
- F Be- / Kikapcsoló gomb (0-1)
- G «Reverse» gomb (visszamenetbe kapcsolás)
- H Motorblokk
- I KEBBE kellék
 - I1 Gyűrű ház
 - I2 Gyűrű
- J Kolbásztöltő tölcsér *(modell szerint)*
 - J1 Csavarállító kúp
 - J2 Tölcsér
- K Zöldségaprító *(modell szerint)*
 - K1 Henger tartó / töltőgarat
 - K2 Nyomóprés
 - K3 Hengerek
 - K3a Reszelő henger
 - K3b Szeletelő henger
 - K3c Morzsoló henger

BIZTONSÁGI ELŐÍRÁSOK:

- A készülék első használata előtt olvassa el figyelmesen ezt a használati útmutatót: az útmutatónak nem megfelelő használatáért a Moulinex semmilyen felelősséget nem vállal.
- A készüléket csökkent fizikai, érzékszervi vagy mentális képességgel rendelkező személyek (gyermeket is beleértve), vagy kellő tapasztalatok illetve ismeretek híján lévő személyek nem használhatják, csak amennyiben megfelelő felügyeletben illetve előzetes oktatásban részesülnek a készülék használatára vonatkozóan a biztonságukért felelős személytől.
- Gondoskodjon a gyermekek felügyeletéről, és ne engedje játszani őket a készülékkel.
- Ellenőrizze, hogy a készüléken jelzett hálózati feszültség megfelel az Ön otthoni elektromos hálózatának.
- **Bármilyen csatlakoztatási hiba érvényteleníti a garanciát.**
- A készülék kizárólag otthoni, konyhai használatra alkalmas, és csak beltéri körülmények között, felügyelet mellett használható.
- A készüléket sík, tiszta és száraz felületen használja.
- Soha ne hagyjon hosszú haját, sálát vagy nyakkendőt belőgni a működésben lévő alkatrészek fölé.
- Közvetlenül a használat után, tisztítás közben illetve a tartozékok felrakásakor vagy eltávolításakor húzza ki a készüléket a hálózathoz.

- Ne használja a készüléket abban az esetben, ha nem megfelelően működik vagy károsodott. Ez esetben forduljon hivatalos Moulinex márkaszervizhez (a szervizlistát ld. a szervizkönyvben).
- A készülék tisztításán és szokásos karbantartásán kívüli egyéb beavatkozásokat végeztesse hivatalos Moulinex márkaszervizzel.
- Ha a kábel károsodott, ne használja a készüléket. A vezetékek elkerülése érdekében cseréltesse ki hivatalos Moulinex márkaszervizzel (a szervizlistát ld. a szervizkönyvben).
- Ne merítse a készüléket, a tápkábelt vagy a csatlakozó aljzatot vízbe vagy más folyadékba.
- Ne hagyja a tápellátó vezetékét a gyermekek keze ügyében lógni.
- Tartsa távol a csatlakozó kábelt a készülék forrócsatlakozó részeitől illetve az azokkal való érintkezéstől, a hőforrásoktól vagy éles sarkoktól.
- Saját biztonsága érdekében kizárólag a készülékhez való Moulinex kellékeket és alkatrészeket használjon.
- Ne járassa a készüléket 14 percnél tovább.
- Az Ön biztonsága érdekében a készülék megfelel a hatályban lévő szabványoknak és előírásoknak:
 - Kisfeszültségű berendezések irányelv
 - Elektromágneses kompatibilitás
 - Környezetvédelem
 - Élelmiszerekkel érintkező anyagok.

TEENDŐK AZ ELSŐ HASZNÁLAT ELŐTT:

Mossa meg a tartozékokat szappanos vízben. Öblítse le és azonnal törölje gondosan szárazra.

A rácsoknak és pengéknek zsírosnak kell maradniuk. Kenje be ezeket az alkatrészeket olajjal.

Ne járassa üresben a készüléket, ha a rácsok nincsenek megolajozva.

FIGYELEM: A hengerek pengéi rendkívül élesek, ezért a hengerekkel bánjon fokozott óvatossággal, mindig a műanyag résznél fogva meg azokat.

ÜZEMBE HELYEZÉS:

DARÁLÓFEJ (A):

A darálófej felszerelése (1.1 és 1.2 ábra)

Tartsa a készüléket **A1** a beöntő garatnál fogva, a legnagyobb nyílással felfelé. Csavarja be a csavart **A2** (hosszú tengellyel előre) a készülék testébe **A1**.

Helyezze rá az inox aprítópengét **A3** a csavarból kiálló rövid tengelyre **A2**, úgy, hogy a vágóélek kifelé álljanak.

Helyezze rá a kiválasztott rácsot a pengére **A3**, a kiugró pecket a készüléktesten lévő vájatba illesztve **A1**.

Csavarja rá teljesen (nem rászorítva) az anyát **A5**.

A darálófej ráhelyezése a készülékre (2. ábra):

A kihúzott motorblokkal **H** szembe állítsa be a darálófejet a betöltő garatot jobb felé döntve. Illessze a darálófej 2 peckét a motorblokkon található 2 megfelelő mélyedésbe.

Tolja be teljesen a darálófejet a motorblokkba **H** majd fordítsa vissza a töltő garatot balra, az ütközési pontig (a betöltő garat ilyenkor függőlegesen áll).

Illessze rá a levehető tálcát **B** a darálófej kürtőjén található illesztékekre.

Dugja be a készüléket, használatra kész.

Használat:

Készítse elő a darálni kívánt élelmiszert, távolítsa el a csontokat, páncélzatot, idegeket.

A húst vágja fel darabokra (körülbelül 2cm X 2cm).

Helyezzen egy edényt a darálófej alá.

A készülék bekapcsolásához nyomja meg a be-/kikapcsoló gombot **F** "I" állásban.

Helyezze a húsdarabokat az adagoló tálcára **B**, majd egyesével tolja bele a darabokat a garatba a húsnymó **C** segítségével.

Soha ne nyomja be a darabokat ujjal vagy más szerszámmal a garatba.

Kebbe illetve Kefta vékony tésztájának elkészítéséhez 2 – 3-szor nyomja át a húst a darálófejen, amíg a kívánt finomságot el nem éri.

Tipp:

A művelet végén daráljon le néhány kenyérdarabot a készülékkel, hogy minden daralék távozzon belőle.

Mi a teendő eltömődés esetén? (3. ábra)

Kapcsolja ki a darálót, a "0" állásba állítva a be-/kikapcsoló gombot F.

Nyomja meg néhány másodpercig a "Reverse" gombot G, a beszorult darabok kiszabadításához.

A darálás folytatásához nyomja meg a be-/kikapcsoló gombot F "I" állásban.

Fontos: mindig várja meg a készülék teljes leállítását, mielőtt megnyomná a "Bekapcsolás" F vagy a "Reverse" vezérlőgombot G.

KEBBE KELLÉK (I)

Felszerelés (4. ábra):

Csavarja bele a csavart A2 a darálófej testébe A1. Helyezze fel a gyűrű házat I1 a pecket a géptesten lévő mélyedésbe igazítva A1.

Helyezze bele a gyűrűt I2 a gyűrű házba, majd csavarja rá teljesen az anyát A5.

Helyezze rá az így összeszerelt tartozékot a motorblokkra, a 4. ábra szerint.

Megjegyzés: a tartozék rácsok és penge nélkül használandó.

KOLBÁSZTÖLTŐ TÖLCSÉR (J) (modell szerint)

A darálófejhez illeszthető kellék segítségével a legkülönbözőbb kolbászfélék saját kezűleg is elkészíthetők, az egyéni ízlésnek megfelelő fűszerezéssel.

Felszerelés (5. ábra)

Csavarja bele a csavart A2 a darálófej testébe A1. Helyezze fel a csavarállító kúpot J1 a pecket a géptesten lévő mélyedéshez igazítva A1. Helyezze el a tölcsért J2, majd az anyát A5, és csavarja rá teljesen. Helyezze rá az így összeszerelt tartozékot a motorblokkra, az 5. ábra szerint.

Megjegyzés: a tartozék rácsok és penge nélkül használandó. A csavarállító kúpnak köszönhetően a csavar a recept elkészítése közben végig a helyén marad.

Használat:

Fontos: a kellék a hús ledarálása, a megfelelő fűszerezés és a töltelék alapos összekeverése után használható.

Miután a kolbásztöltő belet langyos vízben beáztatta, hogy visszanyerje rugalmasságát, húzza rá a belet a tölcsérré J2 körülbelül 5 cm felesleget hagyva.

Töltse meg darálékkal a betöltő garatot A1 a darálófejen A, kapcsolja be a készüléket, és nyomja le a húsnomóval C a darálékot addig, amíg pont a tölcsér pereméig ér.

Kapcsolja ki a gépet.

Csináljon egy csomót a töltőből 5 cm-es túlnyúló részéből. Nyomja vissza a csomót a tölcsér széléig, elkerülve a levegőbuborékok beszorulását a töltőbélbe.

Kapcsolja be újra a gépet, és folyamatosan pótolja a darálékot. Kövesse a töltőbéllel a darálékkal való feltöltés ütemét. A töltőbél túlzott megfeszülésének elkerülése érdekében ne készítsen túl vastag kolbászokat.

Megjegyzés: a munka két személy által könnyebben elvégezhető, mert amíg az egyik betölti a darálékot, a másik fogja a megtelő töltőbél.

A kívánt kolbász hosszúságnál megfelelő időközönként csípje össze, és csavarja meg a belet.

A jó minőségű kolbász érdekében ügyeljen arra, hogy töltés közben ne kerüljön légbuborék a kolbászba, és a kolbászok hossza 10 – 15 cm legyen (a kolbászokat válassza el zsineggel vagy egy csomó segítségével).

ZÖLDSÉGAPRÍTÓ (K) (modell szerint)

Felszerelés (6. ábra):

Állítsa szembe a kihúzott motorblokkal a tölcsér részt K1 jobbra eldöntve, és illessze hozzá a tölcsér feleit a motorblokk megfelelő nyílásaihoz H. Illessze be a tölcsérből kiálló szárat K1 a motorblokkon lévő tengelybe H. Fordítsa vissza a tölcsér rész garatját K1 bal felé az ütközési pontig.

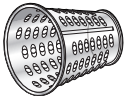


Használat:

- Válassza ki a kívánt használathoz megfelelő hengert.
- Helyezze a kiválasztott hengert a tölcsér rész elülső nyílásába K1, ügyelve a henger megfelelő illeszkedésére a meghajtó tengelyre (7. ábra).
- Dugja be a készüléket.
- Nyomja meg egyszer vagy kétszer a be-/kikapcsoló gombot F a henger rögzítéséhez (8. ábra),

- Kapcsolja be a gépet, majd táplálja be az élelmiszereket a hengertartó betöltő garatján **K1 (9. ábra)** és nyomja bele őket a nyomóprés segítségével **K2 (10. ábra)**.
- A henger cseréjéhez várja meg a henger teljes leállását, nyomja meg 1 másodpercig a **G reverse** gombot, mire a henger automatikusan kiugrik (**11. ábra**).

FIGYELEM: A készülék működésbe hozása előtt győződjön meg róla, hogy a henger tökéletesen illeszkedik a meghajtó tengelyre.

Használja az egyes élelmiszertípusokhoz a megfelelő hengert:

	(*) Reszelő henger K3a	(*) Szeletelő henger K3b	(*) Morzsoló henger K3c
			
Sárgarépa	X	X	
Cukkini	X	X	
Burgonya	X	X	
Kígyóuborka	X	X	
Paprika	X	X	
Hagyma		X	
Fehérrépa		X	
Káposzta (vörös/fehér)		X	
Alma		X	
Fekete retek	X	X	
Zeller	X		
Banán		X	
Parmezán			X
Trappista	X	X	
Csokoládé	X		X
Száraz kenyér / kétszersült			X
Mogyoró/dió/mandula			X
Kókuszdió			X

(*) *modell szerint*

Tanácsok a jó eredmény eléréséhez:

A felhasznált hozzávalók ne legyenek túl puhák, hogy kielégítő eredményeket kaphassunk, és elkerüljük az ételmaradékok beleragadását a készülékbe. Ne használjuk a készüléket túl kemény anyagok – például cukor vagy kemény húsdarabok – darálására vagy szeletelésére.

Vágjuk fel a hozzávalókat, hogy könnyebben be tudjuk táplálni őket a betöltő garatba.

TISZTÍTÁS:

- **Mindig húzza ki a készüléket, a motorblokk – H – tisztítása előtt.**
- A motorblokkot ne merítse vízbe, és ne tartsa folyó víz alá. A motorblokk tisztításához használjon nedves törülőruhát. Gondosan szárítsa meg.

1) A húsdaráló kellékei:

- Oldja ki a készüléken lévő zöldségaprító fejet illetve kellékeket az E gomb megnyomásával.
- Forgassa el a darálófejet **A** jobb felé, és húzza maga felé, amíg el nem válik a motorbloktól **H**.
- A darálófej szétszereléséhez **A**, távolítsa el a húsnomót **C** és a tálcát **B**, csavarja ki az anyát **A5**, távolítsa el a rácsot **A4**, a pengét **A3** és a csavart **A2**.
- **A vágóéllel bíró részekkel bánjon rendkívül óvatosan.**
- Valamennyi alkatrészt mosson át meleg, szappanos vízzel, majd gondosan öblítse le és törölje át.
- Ne tegye a darálófejet **A** a mosogatógépbe (sem a testét **A1**, sem a csavart **A2**, az anyát **A5**, a pengét **A3**, és a rácsokat **A4**).

2) A zöldségaprító tartozékai (modell szerint):

- A hengertartó (**K1**), a nyomóprés (**K2**), a hengerek (**K3a**, **K3b**, **K3c**) mosogatógépben tisztíthatók, a felső kosárban, az "ECO" illetve "KEVÉSSÉ SZENNYES" program fokozatokkal.
- **Óvatosan bánjon a hengerekkel, mert a hengerek pengéi rendkívül élesek.**

- Ha a készülék tartozékai egyes ételek, pl. sárgarépa miatt elszíneződtek, növényi olajjal átitatott ronggyal törölje át őket, majd végezze el a szokásos tisztítási műveletet.

TÁROLÁS:

A rácsok, a penge, a csavarállító kúp, a Kebbe és kolbásztöltő kellékek (I1, I2 et J1, J2) a készülék hátsó részében könnyen eltárolhatók (kellék tároló rekesz D).

MI A TEENDŐ, HA A KÉSZÜLÉK NEM MŰKÖDIK?

Ellenőrizze a csatlakozást.

Ha a készülék továbbra sem működik, forduljon hivatalos Moulinex márkaszervizhez.

(ld. a szervizkönyvben lévő listát).

ELEKTROMOS VAGY ELEKTRONIKUS TERMÉKEK ÉLETCIKLUSA

Vegyünk részt a környezetvédelemben!



- 1 Az Ön terméke számos visszanyerhető vagy újrahasznosítható anyagot tartalmaz.
- ➔ Vigye el a kijelölt gyűjtőhelyekre, vagy ennek hiányában hivatalos márkaszervizbe, hogy megfelelően hasznosíthassák.

RECEPTEK

Megj.: A nagy teljesítményt igényelő receptek esetén a készülék használati ideje nem lépheti túl a 20 másodpercet.

Recept példa (közepes lyukú ráccsal, 4,7 mm, A4a):

KIBBE BI LABAN (joghurtos kibbé gombócok)

6 személy – Előkészítés: 1 óra Állás: 1 óra hűtőben

Összetevők a kibbé tésztahoz: 600 g hús – 300 g bulgur (tört búza) – Só

Összetevők a mártáshoz: 1 kg joghurt – 1 csokor koriander – 4 gerezd fokhagyma – 3 evőkanál kukoricaliszt – Só, bors

1. Vágjuk a húst 4 darabra. Helyezzük rá a 4,7 mm-es rácsot a darálóra. Daráljuk le a húst, hozzákeverve a bulgurt. Sózzuk meg, majd a tésztát tegyük félre a hűtőbe 1 órára.
2. A kibbé golyók formázásához: szereljük fel a darálóra a kibbé kelléket. Nyújtsuk ki a tésztát, és zárjuk össze a gombócokat, szélüket egy kevés vízzel összetapasztva.
3. A szósz elkészítése: mossuk meg a koriander csokrot, itassuk fel a nedvességet zsírpapírral, és szedjük le a leveleket. Hámozzuk meg és passzírozzuk szét a fokhagymát. Pároljuk meg a fokhagymát és a koriandert egy serpenyőben 1 – 2 percig, alacsony lángon. Tegyük félre.
4. Verjük fel a joghurtot és a kukoricalisztet együtt, majd sózzuk és borsozzuk. Öntsük az egészet egy edénybe, egy finom szűrőn keresztül. Forraljuk fel a keveréket, majd csökkentjük a lángot. Felügyeljük a főzést, kevergetve, hogy a joghurt ne tapadjon le.
5. Adjuk hozzá a fokhagymát és a koriandert. Főzzük ki a kibbé gombócokat 10 percen keresztül.

Változat: A gombócokat töltött változatban is elkészíthetjük (hagyma és darált hús keverékével, amit előzetesen némi fenyőmaggal kevés olajban kisütöttünk).

BRIQUAT

4 személy – Előkészítés: 40 perc Elkészítési idő: 35 perc.

Hozzávalók: 250 g leveles tészta – 350 g marhahús – 1 hagyma – 2 tojás – pirospaprika – őrölt fahéj és gyömbér – Petrezselyem – Koriander – Turbolya – Cukor – 60 g vaj – Olívaolaj

1. Helyezzük rá a 4,7 mm-es rácsot a darálóra. Vágjuk a hagymát 8 felé, majd nyomjuk át a darálón. Forrósítsunk fel 4 evőkanál olívaolajat egy serpenyőben, majd adjuk hozzá a hagymát. Alacsony lángon pároljuk meg, de ne pirítsuk meg. Tegyük félre.
2. Daráljuk le a marhahúst. Alacsony lángon pároljuk meg a hagymával együtt 10 percig. Tegyük félre.
3. Nyomjuk át a friss fűszert a darálón. Adjuk hozzá a serpenyőhöz, sóval és borssal, egy fél kanál pirospaprikával, egy csipetnyi őrölt gyömbérrel és egy kis kávéskanál fahéjjal.
4. Keverjük hozzá a felvert tojást, keverjük össze, majd zárjuk le a lángot.

5. Terítsük ki vékonyan a leveles tésztát. Vágjuk fel 10 cm-es oldalú kockákra. Vajazzuk körbe.
6. Töltsünk meg minden kockát egy kiskanál töltelékkel. Formáljuk gombóccá, a széleit összezárva.
7. Süssük ki a briouat gombócokat forró olajban. Miután kiszültek, tegyük félre néhány percre, zsírpapírra helyezve őket. Szórjuk meg cukorral és fahéjjal. Melegen tálaljuk.

Változat:

Helyezzük rá a 4,7 mm-es rácsot a darálóra. Vágjuk 8 felé a hagymát. Daráljunk fel egy kis húst, nyomjuk át a hagymát a darálón.

Nyomjunk át rajta megint egy kis húst, majd a friss fűszereket, és végül a maradék húst. Verjük fel a tojásokat, és keverjük hozzá a töltelékhez sóval és borssal, egy fél kanál pirospaprikával, egy csipetnyi őrölt gyömbérral és egy kis kávéskanál fahéjjal. Keverjük össze az egészet. Kövessük az 5 – 7. lépést.

PIROZSKI (kis halpástétomos falatok)

4 személy - Előkészítés: 25 perc Elkészítési idő: 10 – 15 perc

Hozzávalók: 250 g leveles tészta – 300 g főtt hal vagy füstölt lazac – 2 kemény tojás – 1 csokor kapor – 2 fej hagyma – 100 g sózott vaj, apró kockákra vágva – Olaj

1. Helyezzük rá a 4,7 mm-es rácsot a darálóra. Vágjuk a hagymát 8 felé, és nyomjuk át a darálón. Alacsony lángon pároljuk meg egy serpenyőben némi olajjal. Tegyük félre.
2. Daráljunk fel egy kevés halat, majd daráljuk át a főtt hagymát, a vajat, a kaprot, és végül a maradék halat.
3. Terítsük ki vékonyan a leveles tésztát, vágjunk korongokat belőle egy pohártalp vagy kistányér segítségével (kisebb-nagyobb korongok).
4. Melegítsük elő a sütőt 210 °C-ra (th.6).
5. Töltsük meg a korongokat egy kevés töltelékkel, és hajtsuk rá a tésztát, a széleit összetapasztva.
6. Süssük barnára a sütőben 10 – 15 percig.

Marhahús gombócok

4 személy - Előkészület: 20 perc Elkészítési idő: 10 – 15 perc

Hozzávalók: 1 kg marhahús – 1 fej hagyma – 1 gerezd fokhagyma – 2 szelet tejbe áztatott fekete kenyér – 2 tojás – 1 szem burgonya – Liszt – Só, bors

1. Ehhez a recepthez alacsony zsírtartalmú marhahús darabokat ajánlott kiválasztani. Nyomjuk át a húst a húsdarálón a kenyérszeletekkel együtt.
2. Szeleteljük fel a hagymát a Szeletelő hengerrel (K3b), és reszeljük le a fokhagymát és a burgonyát a Reszelő hengerrel (K3a).
3. Keverjük össze a darált húst a kenyérral, a szeletelt hagymával, fokhagymával és burgonyával.
4. A darálékhoz adjuk hozzá a tojásokat, az őrölt borsot és a sót, majd formázzunk gombócokat.
5. Forgassuk meg a gombócokat a lisztben, és olajban süssük ki őket.

Sütőben sült burgonyapuding

4 személy - Előkészület: 30 perc Elkészítési idő: 45 perc

Hozzávalók: 400 g darált hús – 1 kg burgonya – 2 tojás – 2 pohár tej – 1 gerezd fokhagyma – 1,5 evőkanál vaj – 2 evőkanál olaj – Só, bors

1. Tisztítsuk meg, mossuk meg és szárítsuk meg a burgonyát. Szeleteljük fel a Szeletelő hengerrel (K3b).
2. Nyomjuk át a marhahúst a darálón, és süssük ki az így kapott darálthúst egy serpenyőben olajban, 5 percen keresztül.
3. Dörzsöljük ki egy tálat a fokhagymával, majd kenjük ki a vaj egy részével.
4. Helyezzük el több rétegben a burgonya 2/3 részét és a darált húst, sózzuk, borsozzuk, majd helyezzük el rajta a maradék burgonyát.
5. Verjük fel a tojásokat a meleg tejjel, majd öntsük rá a keveréket a burgonyára. Adjuk hozzá a maradék vajat. Tegyük be a sütőbe 45 percre közepes hőmérsékleten.

Mandulás rakott almatorta

4 személy - Előkészület: 40 perc Elkészítési idő: 30 perc.

Hozzávalók: 6 alma – 60 g barna cukor – 50 g vaj – 50 g egész mandula – 20 cl tejszín – 1 kávéskanál őrölt fahéj
Hámozzuk meg, magozzuk ki és vágjuk negyedekre az almát. Szeleteljük fel vékonyan a Szeletelő hengerrel (K3b), majd a szeleteket pároljuk meg 30 g vajban. Vékonyan vajazzunk ki egy rakottas tálat, és helyezzük az aljára a karamelizálódott almaszeleteket. Törjük porrá a mandulákat a Morzsoló henger segítségével (K3c). Egy salátástálban keverjük össze a mandulaport, a tejszínt és a fahéjat. Öntsük rá az így kapott keveréket az almákra, majd szórjuk meg barna cukorral. Tegyük a tálat a sütőbe 160°C-on.

OPIS:

- A Zdemowalna głowica mieląca
 - A1 Aluminiowy korpus
 - A2 Wał ślimakowy
 - A3 Samoostrzący nóż ze stali nierdzewnej
 - A4 Sitka
 - A4a Sitko z małymi otworami (2,4 mm) *(w zależności od modelu)*
bardzo drobne mielenie
 - A4b Sitko ze średnimi otworami (4,7 mm)
mielenie drobne
 - A4c Sitko z dużymi otworami (8 mm)
grube mielenie
 - A5 Aluminiowa nakrętka
- B Tacka podająca
- C Popychacz do mięsa
- D Osłona schowka na akcesoria
- E Przycisk odblokowania głowicy mielącej
- F Przycisk uruchomienia/zatrzymania (0-I)
- G Przycisk „Reverse” (chwilowy bieg wsteczny)
- H Blok silnika
- I Nasadka KEBBE
 - I1 Końcówka
 - I2 Pierścień
- J Nasadka do kiełbas *(w zależności od modelu)*
 - J1 Prowadnik
 - J2 Nasadka
- K Szatkownica *(w zależności od modelu)*
 - K1 Uchwyt do tarek/komin
 - K2 Popychacz
 - K3 Tarki
 - K3a Tarka do wiórków cienkich
 - K3b Tarka do plasterów
 - K3c Tarka do wiórków grubych

ZASADY BEZPIECZEŃSTWA:

- Przed pierwszym użyciem prosimy uważnie przeczytać instrukcję obsługi urządzenia: nieprawidłowa obsługa wyłącza wszelką odpowiedzialność firmy Moulinex.
- Urządzenie nie powinno być użytkowane przez osoby (w tym dzieci), które są upośledzone fizycznie lub umysłowo, jak również przez osoby nie posiadające doświadczenia i wiedzy, z wyjątkiem przypadków, kiedy znajdują się one pod opieką osoby odpowiedzialnej za ich bezpieczeństwo lub zostały przez nią poinstruowane w zakresie użytkowania urządzenia.
- Należy dopilnować, aby dzieci nie używały urządzenia do zabawy.
- Sprawdzić, czy napięcie pracy urządzenia jest zgodne z napięciem domowej instalacji elektrycznej.
- Każde nieprawidłowe podłączenie powoduje utratę gwarancji.
- Urządzenie jest przeznaczone do użytku domowego w kuchni, wyłącznie wewnątrz pomieszczeń i pod nadzorem.
- Urządzenie powinno być używane na płaskiej, czystej i suchej powierzchni.
- W trakcie pracy urządzenia nie mogą pochylać się nad nim osoby z długimi, niezwiązanymi włosami, z luźnymi i zwisającymi szalami lub krawatami.

- Po zakończeniu użytkowania, podczas czyszczenia oraz zakładania i zdejmowania akcesoriów, należy odłączyć urządzenie od zasilania elektrycznego.
- Nie używać urządzenia, gdy nie działa ono poprawnie lub gdy zostało uszkodzone. W takim przypadku należy skontaktować się z autoryzowanym punktem serwisowym (ich lista znajduje się w książce gwarancyjnej).
- Wszelkie czynności poza czyszczeniem i zwykłą konserwacją powinny być wykonywane przez autoryzowany punkt serwisowy Moulinex.
- Nie należy korzystać z urządzenia, jeśli przewód jest uszkodzony. W celu uniknięcia niebezpieczeństwa konieczne zlecać dokonywanie wymian przez autoryzowany punkt serwisowy (ich lista znajduje się w książce gwarancyjnej).
- Nie umieszczać urządzenia, kabla zasilania lub wtyczki w wodzie ani żadnym innym płynie.
- Kabel zasilający umieszczać w miejscu niedostępnym dla dzieci.
- Kabel zasilający nie powinien znajdować się w pobliżu lub stykać się z ciepłymi częściami urządzenia, nie powinien znajdować się w pobliżu źródeł ciepła lub ostrych krawędzi.
- W celach bezpieczeństwa używać jedynie akcesoriów i części zamiennych Moulinex przystosowanych do urządzenia.
- Nie należy używać urządzenia dłużej niż 14 min.
- Dla bezpieczeństwa zapewniono zgodność urządzenia z następującymi normami i przepisami prawnymi:
 - Dyrektywa niskonapięciowa,
 - Zgodność elektromagnetyczna,
 - Ochrona środowiska,
 - Materiały dopuszczone do kontaktu z żywnością.

PRZED PIERWSZYM UŻYCIEM:

Umyć wszystkie akcesoria w wodzie z dodatkiem mydła. Starannie opłukać i osuszyć.

Sitka i nóż powinny pozostać natłuszczone. Nasmarować je olejem.

Nie uruchamiać pustego urządzenia, jeśli sitka nie zostały natłuszczone.

UWAGA: Ostrza tarek są bardzo ostre, należy więc operować nimi bardzo ostrożnie, chwytając je zawsze za część plastikową.

URUCHAMIANIE:

GŁOWICA MIELĄCA:

Montaż głowicy mielącej (schematy 1.1 i 1.2)

Chwycić korpus **A1** za komin, kierując szerszy otwór ku górze. Następnie włożyć wał ślimakowy **A2** (wystający koniec osi jako pierwszy) do korpusu **A1**.

Założyć nóż stalowy **A3** na krótszy koniec osi wystający poza wał **A2** ostrzami tnącymi do zewnątrz. Umieścić wybrane sitko na nożu stalowym **A3** dopasowując wypust do nacięcia w korpusie **A1**.

Dokręcić (bez blokowania) nakrętkę **A5**.

Umieszczenie głowicy mielącej na urządzeniu (schemat 2):

• Przyłożyć kominem nachylnym w prawo głowicę mielącą do wyłączzonego bloku silnika **H**. Dopasować 2 bagnetty głowicy mielącej do dwóch wycięć w bloku silnika.

Włożyć głowicę mielącą do bloku silnika **H**, a następnie odchylić komin w lewo aż do oporu (komin powinien być w pozycji pionowej).

• Włożyć tackę podającą **B** na wypusty kominu głowicy mielącej.

Włączyć urządzenie gotowe do pracy.

Użytkowanie:

Przygotować dowolną ilość produktów spożywczych do zmielenia, usuwając kości, chrząstki i ścięgna.

Pokroić mięso na kawałki (wielkość około 2 cm x 2 cm).

Umieścić pojemnik pod głowicą mielącą.

Aby uruchomić urządzenie nacisnąć „I” na przycisku uruchomienia/zatrzymania **F**.

Umieścić kawałki mięsa na tacy **B** i włożyć je, jeden po drugim, do kominu za pomocą popychacza **C**.

Nigdy nie należy popychać produktów znajdujących się w kominie palcami lub innym narzędziem.

Aby przygotować farsz do Kebbe lub Kefta, należy przemielić mięso 2 lub 3 razy, aby otrzymać żądaną grubość.

Porada:

Pod koniec tej czynności można zmielić kilka kawałków chleba, aby usunąć z maszyny pozostałości mięsa.

Co zrobić w przypadku zatkania się maszyny? (schemat 3)

Zatrzymać maszynkę naciskając na „0” na przycisku uruchomienia/zatrzymania F. Następnie nacisnąć na kilka sekund przycisk „Reverse” G, aby cofnąć znajdujące się w głowicy produkty. Nacisnąć na „I” na przycisku uruchomienia/zatrzymania F, aby kontynuować mielenie.

Ważne: należy zaczekać do całkowitego zatrzymania się urządzenia przed uruchomieniem przyciskiem uruchomienia F lub włączeniem biegu wstecznego „Reverse” G.

NASADKA KEBBE (I)

Montaż (schemat 4):

Umieścić wał ślimakowy A2 w korpusie A1 głowicy mielącej. Umieścić końcówkę I1 dopasowując wypust do nacięcia w korpusie A1.

Umieścić pierścien I2 na końcówce, a następnie dokręcić do końca nakrętkę A5.

Umieścić tak zamontowaną głowicę w bloku silnika, jak pokazano na schemacie 4.

Uwaga: ten element używany jest bez sitka i noża.

NASADKA DO KIEŁBAS (J) (w zależności od modelu)

Ten element, dopasowujący się do głowicy mielącej, umożliwia przygotowanie wszelkiego rodzaju kiełbas zgodnie z własnym gustem.

Montaż (schemat 5)

Umieścić wał ślimakowy A2 w korpusie A1 głowicy mielącej. Umieścić prowadnik J1 dopasowując wypust do nacięcia w korpusie A1. Następnie umieścić nasadkę J2 oraz nakrętkę A5 i zakręcić do końca. Umieścić tak zamontowaną głowicę w bloku silnika, jak pokazano na schemacie 5.

Uwaga: ten element używany jest bez sitka i noża. Prowadnik pozwala utrzymać wał w odpowiedniej pozycji podczas pracy.

Użytkowanie:

Ważne: ten element może być używany jedynie po uprzednim zmieleniu mięsa, dodaniu przypraw i wymieszaniu produktów.

Po wymoczeniu jelita w ciepłej wodzie, aby stało się bardziej elastyczne, nałożyć je na nasadkę J2 pozostawiając ok. 5 cm zapasu.

Napełnić mięsem komin korpusu A1 głowicy A, uruchomić urządzenie i nacisnąć popychaczem C, aby produkt znalazł się w na końcu nasadki.

Zatrzymać urządzenie.

Zawiązać na węzeł pozostały odcinek 5 cm. Nasunąć węzeł na koniec nasadki, aby nie pozostało powietrza w jelicie.

Uruchomić ponownie urządzenie i kontynuować napełnianie mięsem. Przytrzymywać jelito w miarę, jak się napełnia. Aby uniknąć nadmiernego napięcia jelita nie należy przygotowywać zbyt grubych kiełbas.

Uwaga: praca ta jest łatwiejsza, jeśli wykonują ją dwie osoby: jedna osoba napełnia urządzenie mięsem, a druga podtrzymuje napełniające się jelito.

Aby nadać kiełbaskom żadaną długość, należy ścisnąć i okręcić jelito.

Aby uzyskać kiełbasę wysokiej jakości, należy uważać, aby podczas napełniania jelita nie dostało się do niego powietrze; kiełbaski powinny mieć długość od 10 do 15 cm (oddzielić kiełbaski umieszczając klips i za jego pomocą wykonać węzeł).

SZATKOWNICA (K) (w zależności od modelu)

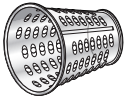


Montaż (schemat 6):

Przy wyłączonym silniku nachylić w prawo uchwyt do tarek K1 i włożyć zaczepy uchwytu do otworów w bloku silnika H. Ustawić trzpień wychodzący z uchwytu K1 w osi bloku silnika H. Podnieść komin uchwytu K1 w lewo aż do oporu.

Użytkowanie:

- Wybrać żadaną tarkę.
- Umieścić tarkę w otworze z przodu uchwytu K1; prawidłowo umieszczona tarka powinna dochodzić do dna uchwytu (rys. 7).
- Podłączyć urządzenie do prądu.
- Nacisnąć jeden lub dwa razy na przycisk uruchomienia/zatrzymania F, aby zablokować tarkę (rys. 8).
- Uruchomić urządzenie, a następnie włożyć produkty do komina uchwytu K1 (rys. 9) i popchnąć je za pomocą popychacza K2 (rys. 10).
- Aby zmienić tarkę, poczekać do momentu całkowitego zatrzymania się poprzedniej tarki, nacisnąć przez 1 sekundę przycisk G „Reverse”, a tarka wysunie się automatycznie (rys. 11).

UWAGA: przed uruchomieniem urządzenia upewnić się, czy tarka jest prawidłowo umieszczona w uchwycie.
 Używać tarki zalecanej dla danego typu produktu:

	(*)Tarka do wiórków cienkich K3a 	(*)Tarka do plasterów K3b 	(*)Tarka do wiórków grubych K3c 
Marchew	X	X	
Kabaczki	X	X	
Ziemniaki	X	X	
Ogórek	X	X	
Papryka	X	X	
Cebula		X	
Buraki		X	
Kapusta (biała/czerwona)		X	
Jabłka		X	
Czarna rzepa	X	X	
Seler	X		
Banan		X	
Parmezan			X
Ser Gruyère	X	X	
Czekolada	X		X
Suchy chleb/biszkopty			X
Orzechy, orzechy laskowe/migdały			X
Orzechy kokosowe			X

(*) w zależności od modelu

Zalecenia, które pozwolą uzyskać dobre rezultaty:

Aby uzyskać zadowalające rezultaty i uniknąć gromadzenia się produktów w uchwycie, używane składniki powinny być zwarte. Nie używać urządzenia do tarcia produktów zbyt twardych, takich jak cukier lub kawałki mięsa. Pokroić produkty, aby łatwiej zmieściły się w kominie uchwytu.

CZYSZCZENIE:

- Przed czyszczeniem bloku silnika H odłączać zawsze urządzenie od źródła zasilania.
- Nigdy nie zanurzać ani nie zamaczać w wodzie bloku silnika. Blok silnika czyścić wilgotną ściereczką. Starannie go osuszyć.

1) Akcesoria głowicy do mięsa:

- Odblokować głowicę lub szatkownicę, naciskając na przycisk E.
- Obrócić głowicę mielącą A w prawo i pociągnąć do siebie, aby odłączyć ją od bloku silnika H.
- Aby zdemontować głowicę mielącą A, zdjąć popychacz C i tackę B, odkręcić nakrętkę A5, zdjąć siatkę A4, nóż A3 i wał ślimakowy A2.

• Należy ostrożnie obchodzić się z elementami tnącymi.

- Umyć wszystkie części w ciepłej wodzie z dodatkiem mydła, wypłukać i starannie osuszyć.
- Nie wkładać głowicy mielącej A do zmywarki (czyli korpus A1, wał ślimakowy A2, nakrętka A5, nóż A3 i sitka A4).

2) Elementy szatkownicy (w zależności od modelu)

- Uchwyt (K1), popychacz (K2), tarki (K3a, K3b, K3c) można wkładać do zmywarki do górnego koszyka i myć z użyciem programów „ECO” lub „MAŁO BRUDNE”.
- Należy ostrożnie obchodzić się z tarkami, ponieważ ich ostrza są bardzo ostre.
- W przypadku przebarwienia części plastikowych przez przygotowywane produkty, na przykład marchewki, przetrzeć je przy pomocy szmatki zamoczonej w oleju spożywczym, a następnie wyczyścić jak zazwyczaj.

SCHOWEK:

Sitka, nóż, prowadnik wału, elementy do przygotowania kebba i kiełbasa (I1, I2 i J1, J2) można schować z tyłu urządzenia (osłona schowka D).

CO ROBIĆ, GDY URZĄDZENIE NIE DZIAŁA PRAWIDŁOWO?

Sprawdzić, czy jest podłączone.

Jeśli urządzenie w dalszym ciągu nie działa, należy skontaktować się z autoryzowanym punktem serwisowym Moulinex (ich lista znajduje się w książce gwarancyjnej).

PRZETWARZANIE ZUŻYTEGO SPRZĘTU ELEKTRYCZNEGO I ELEKTRONICZNEGO

Bierzmy czynny udział w ochronie środowiska!



- 1) Urządzenie jest wykonane z materiałów, które mogą być poddawane ponownemu przetworzeniu lub recyklingowi.
- 2) W tym celu należy je dostarczyć do wyznaczonego punktu zbiórki odpadów lub do autoryzowanego punktu obsługi.

PRZEPISY

Uwaga: dla przepisów, dla których wymagana jest większa moc, czas użytkowania urządzenia nie może przekraczać 20 s. Przykład przepisu (sitko ze średnimi otworami 4,7 mm A4b):

KIBBE BI LABAN (paszteciki kibbe w jogurcie)

6 osób - czas przygotowania: 1 godz. Czas odstawienia do lodówki: 1 godz.

Składniki na farsz kibbe: 600 g mięsa - 300 g bulguru (kasza) - sól

Składniki na sos: 1 kg jogurtu - 1 pęczek kolendry - 4 ząbki czosnku - 3 łyżki stołowe zagęstnika - sól, pieprz

1. Pokroić mięso na 4 kawałki. Założyć sitko o grubości mielenia 4,7 mm. Zmilić mięso dodając kaszę bulgur. Posolić i pozostawić farsz w chłodnym miejscu na godzinę.
2. Aby uformować paszteciki kibbe: założyć na maszynkę akcesoria do kibbe. Przepuścić farsz i formować kulki, sklejając końce niewielką ilością wody.
3. Przygotowanie sosu: umyć pęczek kolendry, wysuszyć go ręcznikiem papierowym i oberwać listki. Obrąć czosnek i zgnieść go. Podsmażyć czosnek i kolendrę na patelni przez 1-2 minuty na małym ogniu. Odłożyć na bok.
4. Roztrzepać jogurt z zagęstnikiem, następnie posolić i popieprzyć. Wlać całość do garnka precedzając przez gęste sitko. Doprowadzić do wrzenia, a następnie zmniejszyć ogień. Mieszać podczas gotowania, aby jogurt nie przywarł.
5. Dodać czosnek i kolendrę. Gotować paszteciki przez 10 minut.

Wariant: można również zrobić paszteciki nadziewane (mielonym mięsem z cebulą, podsmażonym wcześniej na niewielkiej ilości oleju z kilkoma nasionami sosny jadalnej).

BRIOUATS

4 osoby - czas przygotowania: 40 min. Czas gotowania: 35 min.

Składniki: 250 g ciasta francuskiego - 350 g wołowiny - 1 cebula - 2 jajka - papryka mielona - mielony cynamon i imbir - pietruszka - kolendra - trybula ogrodowa - cukier - 60 g masła - oliwa z oliwek

1. Założyć sitko o grubości mielenia 4,7 mm. Pokroić cebulę na 8 części i przepuścić przez maszynkę. Zagrzać na patelni 4 łyżki oliwy i dodać cebulę. Zeszklić ją na wolnym ogniu bez zrumienienia. Odłożyć na bok.
2. Zmilić wołowinę. Podsmażyć ją z cebulą na małym ogniu przez 10 minut. Wyłączyć.
3. Włożyć zioła do maszynki. Następnie wrzucić je na patelnię z solą i pieprzem, dodać pół łyżeczki papryki, szczyptę imbiru i małą łyżeczkę cynamonu.
4. Dodać dwa roztrzepane jajka, zamieszać i wyłączyć.
5. Rozwałkować cienko ciasto francuskie. Wycinać kwadraty o boku 10 cm. Posmarować masłem.
6. Nałożyć na każdy kwadrat małą łyżeczkę farszu. Zwinąć sklejając brzegi.
7. Usmażyć na gorącym oleju. Po usmażeniu zostawić je na kilka chwil na ręczniku papierowym. Posypać cukrem i cynamonem. Podawać gorące.

Wariant:

Założyć sitko o grubości mielenia 4,7 mm. Pokroić cebulę na 8 części. Zmilić trochę mięsa, przepuścić cebulę przez maszynkę.

Włożyć jeszcze trochę mięsa, następnie przyprawy i na końcu resztę mięsa. Roztrzepać jajka i dodać je do farszu z solą i pieprzem, połową łyżeczki papryki, szczyptą imbiru i małą łyżeczką cynamonu. Wymieszać wszystko.

Wykonać etapy od 5 do 7.

PIROJKI

(paszteciki rybne)

4 osoby - czas przygotowania: 25 min. Czas gotowania: 10-15 min.

Składniki: 250 g ciasta francuskiego - 300 g gotowanej ryby lub wędzonego łososia - 2 jajka - 1 pęczek koperku - 2 cebule - 100 g masła solonego w małych kostkach - olej

1. Założyć sitko o grubości mielenia 4,7 mm. Pokroić cebulę na 8 części i przepuścić przez maszynkę. Podsmażyć ją na patelni na oleju na wolnym ogniu. Wyłączyć.
2. Zmieszać trochę ryby, następnie dodać usmażoną cebulę, masło, koperek i na końcu resztę ryby.
3. Rozwałkować cienko ciasto francuskie, wyciąć kółka za pomocą szklanki lub kubka (w miarę duże).
4. Nagrząć piekarnik do 210°C (term. 6).
5. Nałożyć na każde kółko trochę farszu i skleić brzegi.
6. Piec na złoty kolor około 10 do 15 minut.

Pulpeciki wołowe

4 osoby - czas przygotowania: 20 min. Czas gotowania: 10-15 min.

Składniki: 1 kg wołowiny - 1 cebula - 1 ząbek czosnku - 2 kromki ciemnego chleba namoczonego w mleku - 2 jajka - 1 ziemniak - mąka - sól, pieprz

1. Do tego przepisu należy wybrać wołowinę o małej zawartości tłuszczu. Przepuścić mięso przez maszynkę wraz z kromkami chleba.
2. Pokroić cebulę za pomocą tarki do plastrów (K3b) i utrzeć czosnek i ziemniaka za pomocą tarki do wiórków cienkich (K3a).
3. Wymieszać mielone mięso z chlebem, pokrojoną cebulą, czosnkiem i ziemniakiem.
4. Dodać jajka, pieprz czarny mielony oraz sól i uformować kulki.
5. Obtoczyć kulki w mące i usmażyć je na oleju.

Pudding ziemniaczany z pieca

4 osoby - czas przygotowania: 30 min. Czas gotowania: 45 min.

Składniki: 400 g mielonego mięsa - 1 kg ziemniaków - 2 jajka - 2 szklanki mleka - 1 ząbek czosnku - 1,5 łyżki masła - 2 łyżki oleju - sól, pieprz

1. Wyczyścić, umyć i wysuszyć ziemniaki. Pokroić je za pomocą tarki na grube plastry (K3b).
2. Przepuścić wołowinę przez maszynkę i smażyć mielone mięso na oleju na patelni przez 5 minut.
3. Przetrzeć naczynie zębkiem czosnku i natłuścić częścią masła.
4. Umieścić kolejno 2/3 warstwy ziemniaków i mięsa mielonego, posolić, popieprzyć, a następnie wyłożyć resztę ziemniaków.
5. Roztrząpać jajka z mlekiem i wylać na ziemniaki. Dodać resztę masła. Piec w piekarniku 45 minut w średniej temperaturze.

Zapiekane jabłka z migdałami

4 osoby - czas przygotowania: 40 min. Czas gotowania: 30 min.

Składniki: 6 jabłek - 60 g cukru trzcinowego - 50 g masła - 50 g całych migdałów - 20 cl śmietanki - 1 łyżeczka cynamonu

1. Obrać jabłka ze skóry, usunąć gniazda nasienne i podzielić na cząstki. Pokroić za pomocą tarki do plastrów (K3b) i podsmażyć z 30 g masła. Posmarować lekko masłem naczynie do zapiekania i wyłożyć na dno karmelizowane jabłka. Zmieszać migdały na proszek za pomocą tarki do wiórków grubych (K3c). W salaterce wymieszać sproszkowane migdały, śmietankę i cynamon. Wylać otrzymaną mieszaninę na jabłka i posypać cukrem trzcinowym. Zapiekać w temperaturze 160°C.

APRAŠYMAS

- A Išimama mėsmalės galvutė
 - A1 Aliuminio korpusas
 - A2 Sraigtas
 - A3 Nerūdijantis automatiškai pagalandamas peiliukas
 - A4 Sieteliai
 - A4a Sietelis mažomis skylutėmis (2,4 mm) (*priklauso nuo modelio*) labai smulkiam malimui
 - A4b Sietelis vidutinėmis skylutėmis (4,7 mm) smulkiam malimui
 - A4c Sietelis stambiomis skylutėmis (8 mm) stambiam malimui
 - A5 Aliuminio veržlė
- B Išimamas padėklas
- C Mėsos stūmiklis
- D Priedų laikymo vietos dangtelis
- E Mėsmalės galvutės išėmimo mygtukas
- F Įjungimo / išjungimo mygtukas (0-1)
- G „Atbulinės padėties“ („Reverse“) mygtukas (malama atbuline eiga)
- H Variklio blokas
- I Priedas KEBBE
 - I1 Antgalis
 - I2 Žiedas
- J Piltuvėlis dešrelėms gaminti (*priklauso nuo modelio*)
 - J1 Sraigto centralizatorius
 - J2 Piltuvėlis
- K Daržovių pjaustyklė (*priklauso nuo modelio*)
 - K1 Kūgių dėklas / anga
 - K2 Stūmiklis
 - K3 Kūgiai
 - K3a Tarkavimo kūgis
 - K3b Pjaustymo kūgis
 - K3c Malimo kūgis

SAUGOS PATARIMAI

- **Prieš pirmą kartą naudodamiesi aparatu atidžiai perskaitykite naudojimo instrukcijas: naudojant aparatą ne pagal instrukcijas „Moulinex“ atleidžiamas nuo bet kokios atsakomybės.**
- Šis aparatas nėra skirtas naudoti asmenims (taip pat vaikams), kurių fizinės, jutiminės arba protinės galiybės yra apribotos, taip pat asmenims, neturintiems atitinkamos patirties arba žinių, išskyrus tuos atvejus, kai už jų saugumą atsakingi asmenys užtikrina tinkamą priežiūrą arba jie iš anksto gauna instrukcijas dėl šio aparato naudojimo.
- **Vaikai turi būti prižiūrimi užtikrinant, kad jie nežaistų su aparatu.**
- Patikrinkite, ar elektros tinklo įtampa sutampa su nurodytąja ant aparato.
- **Bet kokia jungimo klaida panaikina garantiją.**
- Aparatas yra skirtas tik maistui ruošti namuose, vidaus patalpose; naudojant jo negalima palikti be priežiūros.
- Aparatą naudokite ant plokščio, švaraus ir sauso paviršiaus.
- Virš veikiančių priedų niekada neleiskite kaboti ilgiems plaukams, šalikams ar kaklaraiščiams.
- Išjunkite aparatą iš maitinimo tinklo baigę juo naudotis, valydami jį, įdedami ar išimdami priedus.
- Nenaudokite aparato, jei jis neveikia tinkamai arba buvo pažeistas. Tokiu atveju kreipkitės į „Moulinex“ įgaliotą priežiūros centrą (sąrašą rasite priežiūros knygelėje).
- Bet kokius kitus darbus, išskyrus valymą ir įprastą priežiūrą, kurią atlieka klientas, turi vykdyti „Moulinex“ įgaliot-

tas centras.

- Jeigu laidas pažeistas, aparato nenaudokite. Siekdami išvengti bet kokio pavojaus, paprašykite, kad „Moulinex“ įgaliotas priežiūros centras (sąrašą rasite priežiūros knygelėje) jį pakeistų.
- Nenardinkite aparato, maitinimo laido ar kištuko į vandenį ar bet kokią kitą skystį.
- Neleiskite maitinimo laidui kaboti vaikams prieinamoje vietoje.
- Maitinimo laidas niekada neturi būti šalia įkaitusių dalių ar su jomis liestis, būti prie šilumos šaltinio arba ugnies.
- Savo pačių saugumui naudokite tik jūsų aparatui pritaikytus „Moulinex“ priedus ir detales.
- Aparato nenaudokite ilgiau negu 14 min.
- Siekiant užtikrinti jūsų saugumą, šis aparatas atitinka taikomus standartus ir teisės aktus:
 - Žemos įtampos direktyvą;
 - Elektromagnetinio suderinamumo direktyvą;
 - Aplinkos apsaugos direktyvą;
 - Su maistu besiliečiančių medžiagų teisės aktus.

PRIEŠ PIRMĄ KARTĄ NAUDODAMI

Visus priedus nuplaukite vandeniu su muilu. Tuojau pat kruopščiai perskalaukite ir nušluostykite.

Sietelis ir peiliukas turi būti riebaluoti. Ištepkite juos aliejumi.

Nenaudokite aparato tuščiaja eiga, jeigu sieteliai neriebaluoti.

DĖMESIO. Kūgio ašmenys labai aštrūs, kūgius tvarkykite atsargiai, visada laikydami už plastikinės dalies.

PARUOŠIMAS NAUDOTI

MĖSMALĖS GALVUTĖ (A)

Mėsmaalės galvutės įdėjimas (1.1 ir 1.2 schemos)

Korpusą **A1** paimkite už angos produktams dėti, plačiausią angą pasukdami į viršų. Paskui į korpusą **A1** įdėkite sraigą **A2** (ilga ašis, pažymėta pirmu numeriu).

Ant trumposios ašies dalies, išlendančios iš sraigto **A2**, užmaukite nerūdijantį peiliuką **A3**, aštriąją jo pusę pasukdami į išorę. Ant peiliuko **A3** uždėkite pasirinktą sietelį taip, kad kištukas sutaptų su korpuso **A1** grioveliu. Iki galo prisukite veržlę **A5** (neužblokuodami).

Mėsmaalės galvutės įdėjimas į aparatą (2 schema)

Mėsmaalės galvutę su anga produktams dėti palenkite į dešinę, laikydami prieš variklio bloką **H**, išjungtą iš maitinimo tinklo. Du mėsmalės galvutės kištukus įkiškite į du variklio bloko griovelius.

Mėsmaalės galvutę iki galo įkiškite į variklio bloką **H**, paskui angą produktams dėti sukite į kairę iki galo (anga produktams dėti turi būti vertikali).

Išimamą padėklą **B** įstatykite į mėsmalės galvutės angos produktams dėti kištukus.

Įjunkite aparatą į tinklą, ir jis paruoštas naudoti.

Naudojimas

Paruoškite visą produktų, kuriuos reikia sumalti, kiekį, išimkite kaulus, kremzles ir sausgysles.

Mėsą supjaustykite gabalėliais (apie 2 cm X 2 cm).

Indą padėkite po mėsmalės galvute.

Paspauskite įjungimo / išjungimo mygtuko padėtį „I“ **F**, kad aparatas pradėtų veikti.

Mėsos gabalėlius padėkite ant padėklo **B** ir vieną po kito kiškite į angą produktams dėti stumdami stūmikliu **C**.

Produktų į angą produktams dėti niekada nekiškite pirštais ar kitu įrankiu.

Norėdami smulkiai sumalti mėsą, skirtą patiekalams „Kebbe“ arba „Kefta“ gaminti, mėsą malkite 2-3 kartus, kol ji bus tokia smulki, kokios norite.

Naudingas patarimas

Baigę dirbti galite sumalti kelis gabalėlius duonos, kad išsivalytų visa sumalta mėsa.

Ką daryti, jei produktai užsikemša? (3 schema)

Įjunkite mėsmalę paspaudę įjungimo / išjungimo mygtuko padėtį „0“ **F**.

Paskui kelias sekundes spauskite mygtuką „Reverse“ **G**, kad produktai atsikimštų.

Norėdami malti toliau, paspauskite įjungimo / išjungimo mygtuko padėtį „I“ **F**.

Svarbu: prieš spausdami įjungimo mygtuką „Marche“ F arba mygtuką „Reverse“ G palaukite, kol aparatas visiškai sustos.

PRIEDAS „KEBBE“ (I)

Įdėjimas (4 schema)

Į mėsmalės galvutės korpusą **A1** įdėkite sraigą **A2**. Uždėkite antgalį **I1** taip, kad kištukas sutaptų su korpuso **A1** grioveliu.

Ant antgalio uždėkite žiedą **I2**, paskui iki galo prisukite veržlę **A5**.

Surinktą galvutę įdėkite į variklio bloką, kaip parodyta **4** **schema**je.

Pastaba. Šis priedas naudojamas be sietelio ir be peiliuko.

PILTUVĖLIS DEŠRELĖMS GAMINTI (J) (priklauso nuo modelio)

Naudodami šį priedą, dedamą į mėsmalės galvutę, galėsite pagaminti visų rūšių dešrelės, kurias paruošite pagal savo skonį.

Įdėjimas (5 schema)

Į mėsmalės galvutės korpusą **A1** įdėkite sraigą **A2**. Uždėkite sraigto centralizatorių **J1** taip, kad kištukas sutaptų su korpuso **A1** grioveliu. Paskui įdėkite piltuvėlį **J2** ir iki galo prisukite veržlę **A5**. Surinktą mėsmalės galvutę įdėkite į variklio bloką, kaip parodyta **5** **schema**je.

Pastaba. Šis priedas naudojamas be sietelio ir be peiliuko. Dėl sraigto centralizatoriaus gaminant dešrelės sraigtas gali išlikti savo vietoje.

Naudojimas

Svarbu: šį priedą reikia naudoti tik sumalus mėsą, įdėjus į ją prieskonių ir gerai išmaišius masę.

Kad žarna taptų elastinga išmirkę ją drungname vandenyje, užmaukite ją ant piltuvėlio **J2** palikdami apie 5 cm neužmautą galiuką.

Į mėsmalės galvutės **A** korpuso **A1** angą produktams dėti įdėkite maltos mėsos, įjunkite aparatą ir spauskite stūmikliu **C**, kad malta mėsa būtų nustumta iki piltuvėlio galo.

Išjunkite aparatą.

Paliktu 5 cm žarnos galiuku užmegzkite mazgelį. Pastumkite mazgelį iki piltuvėlio galo, kad žaroje neatsirastų oro. Vėl įjunkite aparatą ir toliau dėkite maltą mėsą. Stebėkite žarną, kol ji prisipildo. Kad žarna per daug neįsitemptų, nedarykite per stambių dešrelių.

Pastaba. Šį darbą lengviau atlikti dviem asmenims – vienas deda maltą mėsą, kitas laiko pildomą žarną.

Dešrelės gaminkite tokio ilgio, kokio norite, įvairiose vietose suspausdami ir pasukdami žarną.

Kad dešrelė būtų geros kokybės, pasistenkite, kad pildant į ją nepatektų oro; dešrelės darykite 10–15 cm ilgio (jas atskirkite raištelio, kuriuo užriškite mazgelį).

DARŽOVIŲ PJAUSTYKLĖ (K) (priklauso nuo modelio)

Įdėjimas (6 schema)

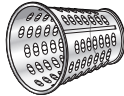
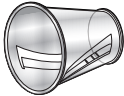
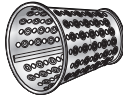
Kūgių dėklą **K1** palenkite į dešinę, laikydami prieš variklio bloką **H**, išjungtą iš maitinimo tinklo; dėklo kištukus įkiškite į variklio bloko **H** griovelius. Iš kūgių dėklo **K1** išlendantį vamzdelį įstatykite į variklio bloko **H** ašį. Kūgių dėklo **K1** angą produktams dėti sukite į kairę iki galo.

Naudojimas:

- Pasirinkite norimą kūgį.
- Pasirinktą kūgį įdėkite į angą, esančią prieš kūgių dėklą **K1**; kūgis turi būti teisingai įstumtas iki sukamosios ašies galo (**7** **schema**).
- Įjunkite aparatą į maitinimo tinklą.
- Kad kūgis prisitvirtintų, vieną ar du kartus paspauskite įjungimo / išjungimo mygtuką **F** (**8** **schema**).
- Aparatą įjunkite, paskui per kūgių dėklo **K1** angą produktams dėti dėkite produktus (**9** **schema**) ir stumkite juos stūmikliu **K2** (**10** **schema**).
- Norėdami pakeisti kūgį palaukite, kol jis visiškai sustos, 1 sekundę spauskite mygtuką **G** „Reverse“, kūgis išlįs automatiškai (**11** **schema**).

DĖMESIO. Prieš įjungdami aparatą įsitikinkite, ar kūgis gerai uždėtas ant sukamosios ašies.

Naudokite kiekvienai produkto rūšiai rekomenduojamą kūgį.

	(*) Tarkavimo kūgis K3a 	(*) Pjaustymo kūgis K3b 	(*) Malimo kūgis K3c 
Morkos	X	X	
Aguročiai	X	X	
Bulvės	X	X	
Agurkai	X	X	
Paprikos	X	X	
Svogūnai		X	
Burokėliai		X	
Kopūstai (baltieji, raudonieji)		X	
Obuoliai		X	
Juodieji ridikai	X	X	
Salierai ir ropės	X		
Bananai		X	
„Parmezano“ sūris			X
„Gruyère“ sūris	X	X	
Šokoladas	X		X
Džiūvėsiai / sausainiai			X
Lazdyno riešutai / graikiški riešutai / migdolai			X
Kokoso riešutai			X

(*) *priklauso nuo modelio*

Patarimai, kaip gauti gerus rezultatus

Naudojami produktai turi būti kieti, kad rezultatai būtų geri ir kūgių dėkle neprisikaupytų produktų likučių. Aparato nenaudokite per daug kietiems produktams, pavyzdžiui, cukrui arba mėsos gabalėliams, malti ar pjaustyti. Kad produktus būtų lengviau įdėti į kūgių dėklo angą produktams dėti, juos supjaustykite.

VALYMAS

- **Prieš valydami variklio bloką (H) visada išjunkite aparatą iš maitinimo tinklo.**
- Variklio bloko nenardinkite į vandenį ir neplaukite po tekančio vandens srove. Valykite jį drėgnu skudurėliu. Kruopščiai nušluostykite.

1) Mėsmalės priedai

- Atsukite galvutę arba daržovių pjaustyklės priedą, paspausdami mygtuką E.
- Mėsmalės galvutę A pasukite į dešinę ir patraukite į save, kad ji atsiskirtų nuo variklio bloko H.
- Norėdami išimti mėsmalės galvutę A, išimkite stūmiklių C ir padėklą B, atsukite veržlę A5, išimkite sietelį A4, peiliuką A3 ir sraigą A2.
- **Aštrus dalis tvarkykite atsargiai.**
- Visas dalis nuplaukite karštu vandeniu su muilu, kruopščiai nuskalaukite ir nušluostykite.
- Mėsmalės galvutės A (t. y. korpuso A1, sraigto A2, veržlės A5, peiliuko A3 ir sietelių A4) neplaukite indaplovėje.

2) Daržovių pjaustyklės priedai (priklauso nuo modelio)

- Kūgių dėklą (K1), stūmiklių (K2) ir kūgius (K3a, K3b, K3c) galima plauti indaplovės krepšio viršutinėje dalyje, naudojant programą „ECO“ arba „PEU SALE“.
- **Kūgius tvarkykite atsargiai, nes jų peiliukai labai aštrūs.**
- Jeigu plastikinės dalys dėl produktų, pavyzdžiui, morkų, nusidažė, patrinkite jas maistiniu aliejumi sumirkytu skudurėliu, paskui valykite kaip paprastai.

LAIKYMAS

Sietelius, peiliuką, sraigto centralizatorių, priedus „Kebbe“ ir priedus dešrelėms gaminti (I1, I2 ir J1, J2) galima laikyti aparato galinėje dalyje (laikymo vietos dangtis D).

KĄ DARYTI, JEI APARATAS NEVEIKIA?

Patikrinkite, ar jis gerai įjungtas į tinklą.

Jei aparatas vis dar neveikia, kreipkitės į įgaliotą „Moulinex“ priežiūros centrą (sąrašą rasite priežiūros knygelėje).

NEBENAUDOJAMI ELEKTRINIAI ARBA ELEKTRONINIAI GAMINIAI

Prisidėkime prie aplinkos saugojimo!



- 1 Jūsų aparate yra daug medžiagų, kurias galima pakeisti į pirmines žaliavas arba perdirbti.
- 2 Nuneškite jį į surinkimo punktą arba, jei jo nėra, į įgaliotą priežiūros centrą, kad aparatas būtų perdirbtas.

RECEPTAI

N. B. Gaminant patiekalus, kuriems reikia didelio galingumo, aparatas neturi būti naudojamas ilgiau negu 20 s.

Receptų pavyzdžiai (naudojant sietelį vidutinėmis skylutėmis 4,7 mm A4b)

KIBBE BI LABAN („Kibbe“ kukuliai su jogurtu)

6 asmenims. Paruošiama per 1 val. 1 val. laikyti šaldytuve.

Produktai „Kibbe“ tešlai paruošti 600 g mėsos, 300 g skaldytų kviečių, druskos

Produktai padažui 1 kg jogurto, 1 kalendros kuokštelis, 4 česnako skiltelės, 3 šaukštai kukurūzų krakmolo, druskos, pipirų

- 1 Mėsą supjaustykite į 4 gabalėlius. Į mėsmalę įdėkite 4,7 mm sietelį. Malkite mėsą kartu dėdami skaldytus kviečius. Įberkite druskos, paskui masę 1 val. laikykite šaltai.
- 2 Norėdami padaryti „Kibbe“ kukulius, į mėsmalę įdėkite priedą „Kibbe“. Stumkite tešlą per formą, jų paviršius laistykite trupučiu vandens.
- 3 Norėdami paruošti padažą, nuplaukite kalendrą, leiskite vandeniui nuvarvėti ant servetėlės ir atskirkite lapelius nuo stiebelių. Nulupkite česnaką ir jį sukopkite. 1–2 minutes česnaką ir kalendrą kepkite keptuvėje ant silpnos ugnies. Nuimkite nuo ugnies.
- 4 Jogurtą suplakite su kukurūzų krakmolu, paskui įberkite druskos ir pipirų. Viską per smulkų sietelį supilkite į prikaistuvį. Masę užvirinkite, paskui ugnį sumažinkite. Stebėkite prikaistuvį vis pamaišydami, kad jogurtas nedegtų.
- 5 Įdėkite česnaką ir kalendrą. „Kibbe“ kukulius virkite 10 minučių.

Kitas paruošimo būdas: kukulius taip pat galite įdaryti (svogūnų ir maltos mėsos mase, iš pradžių apkepta aliejuje su sauja kedro riešutu).

BRIOUATS (Maroko pyragėliai)

4 asmenims. Paruošiama per 40 min. Kepimo laikas: 35 min.

Produktai 250 g sluoksnuotos tešlos, 350 g jautienos, 1 svogūnas, 2 kiaušiniai, raudonųjų pipirų, cinamono ir imbiero miltelių, petražolės, kalendros, bulio, cukraus, 60 g sviesto, alyvuogių aliejaus

- 1 Į mėsmalę įdėkite 4,7 mm sietelį. Perpjaukite svogūną į 8 dalis, paskui supjaustykite jį su daržovių pjaustykle. Keptuvėje pakaitinkite 4 šaukštus alyvuogių aliejaus, paskui įdėkite svogūną. Pakepkite ant silpnos ugnies neleidami pagelsti. Nuimkite nuo ugnies.
- 2 Sumalkite jautieną. 10 minučių skrudinkite ją su svogūnu ant silpnos ugnies. Nuimkite nuo ugnies.
- 3 Daržoves supjaustykite pjaustykle. Paskui jas sudėkite į keptuvę, įberkite druskos ir pipirų, pusę kavos šaukštelio raudonųjų pipirų, žiupsnelį imbiero miltelių ir pilną šaukštelį cinamono.
- 4 Paskui supilkite išplaktus kiaušinius, sumaišykite ir nukelkite nuo ugnies.
- 5 Išminkykite gana ploną sluoksnuotos tešlos sluoksnį. Supjaustykite jį 10 cm kvadratais, kraštus patepkite sviestu.
- 6 Į kiekvieną kvadratėlį įdėkite mažą šaukštelį faršo. Paskui kvadratėlį suvyniokite užspausdami kraštus.
- 7 „Briouats“ kepkite įkaitintame aliejuje. Iškepus pyragėlius sudėkite ant servetėlės. Pabarstykite cukrumi ir cinamonu. Pyragėlius valgykite labai karštus.

Kitas paruošimo būdas

Į mėsmalę įdėkite 4,7 mm sietelį. Supjaustykite svogūną į 8 dalis. Sumalkite dalį mėsos ir susmulkinkite svogūną

mėsmales. Įdėkite dar truputį mėsos, paskui daržoves ir likusią mėšą. Išplakite kiaušinius ir supilkite juos į faršą su druska bei pipirais, puse kavos šaukštelio raudonųjų pipirų, žiupsneliu imbiero ir pilnu šaukšteliu cinamono. Visą išmaišykite. Toliau viską darykite taip, kaip nurodyta 5 – 7 punktuose.

PIROJKI (pyragėliai) (žuvies pyragėliai)

4 asmenims. Paruošiama per 25 min. Kepimo laikas: 10–15 min.

Produktai 250 g sluoksnuotos tešlos, 300 g virtos (arba keptos) žuvies arba rūkytos lašišos, 2 kietai virti kiaušiniai, 1 krapų ryšulėlis, 2 svogūnai, 100 g sūdyto sviesto, supjaustyto mažais gabalėliais, aliejaus

1. Į mėsmalę įdėkite 4,7 mm sietelį. Supjaustykite svogūnus į 8 dalis ir susmulkinkite mėsmale. Į keptuvę įpilkite truputį aliejaus ir paskrudinkite svogūnus ant silpnos ugnies. Nuimkite keptuvę nuo ugnies.
2. Susmulkinkite truputį žuvies, paskui sudėkite skrudintą svogūną, sviestą, krapus ir galiausiai likusią žuvį.
3. Išminkykite gana ploną sluoksnuotos tešlos sluoksnį, su stikline ar puodeliu padarykite apskritimus (vidutinio dydžio).
4. Įkaitinkite orkaitę iki 210 °C (6 termostatas).
5. Ant kiekvieno apskritimo uždėkite truputį faršo, suvyniokite ir suspauskite kraštus.
6. Kepkite orkaitėje 10–15 minučių.

Jautienos kukuliai

4 asmenims. Paruošiama per 20 min. Kepimo laikas: 10–15 min.

Produktai 1 kg jautienos, 1 svogūnas, 1 česnako skiltelė, 2 riekelės juodos duonos, išmirkytos piene, 2 kiaušiniai, 1 bulvė, miltų, druskos, pipirų

1. Šiam patiekalui pasirinkite neriebius jautienos gabalėlius. Mėsą su duonos riekelėmis sumalkite mėsmale.
2. Svogūną susmulkinkite naudodami pjaustymo kūgį (K3b), o česnaką ir bulvę sutarkuokite naudodami tarkavimo kūgį (K3a).
3. Maltą mėšą sumaišykite su duona, pjaustytu svogūnu, česnaku ir bulve.
4. Į faršą įmuškite kiaušinius, įberkite maltų juodųjų pipirų ir druskos ir darykite kukulius.
5. Kukulius išvoliokite miltuose ir kepkite aliejuje.

Orkaitėje kepamas bulvių pudingas

4 asmenims. Paruošiama per 30 min. Kepimo laikas: 45 min.

Produktai 400 g maltos mėsos, 1 kg bulvių, 2 kiaušiniai, 2 stiklinės pieno, 1 česnako skiltelė, 1,5 šaukštas sviesto, 2 šaukštai aliejaus, druskos, pipirų

1. Nuvalykite, nuplaukite ir nušluostykite bulves. Supjaustykite jas naudodami pjaustymo kūgį (K3b).
2. Jautieną sumalkite mėsmale ir maltą mėšą 5 minutes kepkite keptuvėje su aliejumi.
3. Kepimo formos vidų ištrinkite česnaku, paskui ištepkite dalimi sviesto.
4. Dėdami po sluoksnį bulvių ir sluoksnį mėsos sudėkite 2/3 bulvių ir maltą mėšą, pabarstykite druska, pipirais, paskui sudėkite likusias bulves.
5. Su karštu pienu išplakite kiaušinius ir šią masę užpilkite ant bulvių. Uždėkite likusį sviestą. Kepkite orkaitėje 45 minutes nustatę vidutinę temperatūrą.

Obuolių apkepas su migdolais

4 asmenims. Paruošiama per 40 min. Kepimo laikas: 30 min.

Produktai 6 obuoliai, 60 g rudos spalvos cukraus, 50 g sviesto, 50 g nesmulkintų migdolų, 20 cl grietinės, 1 kavos šaukštelis cinamono

Nulupkite obuolius, išimkite sėkles ir supjaustykite juos į keturias dalis. Naudodami pjaustymo kūgį (K3b) supjaustykite juos riekelėmis ir apkepkite su 30 g sviesto. Apkepo formą ištepkite nedideliu kiekiu sviesto ir ant dugno sudėkite apkeptus obuolius. Naudodami malimo kūgį (K3c) sumalkite migdolus. Salotinėje išmaišykite maltus migdolus, grietinę ir cinamoną. Gautą masę supilkite ant obuolių ir pabarstykite rudos spalvos cukrumi. Kepkite orkaitėje nustatę 160°C temperatūrą.

APRAKSTS:

- A** Noņemamā gaļas mašīnas griezējdaļa
- A1** Alumīnija korpuss
 - A2** Skrūve
 - A3** Nerūsējošā tērauda pašasinošs nazis
 - A4** Režģi
 - A4a** Režģis ar mazajiem caurumiem 2,4mm (*atkarībā no modeļa*)
loti sīkai malšanai
 - A4b** Režģis ar vidējiem caurumiem (4,7mm)
sīkai malšanai
 - A4c** Režģis ar lieliem caurumiem (8mm)
rupjai malšanai
 - A5** Alumīnija uzgrieznis
- B** Noņemams trauks
- C** Gaļas stūmējs
- D** Papildu detaļu novietne
- E** Gaļas maļamās mašīnas griezējdaļas atbrīvošanas poga
- F** Ieslēgšanas / Izslēgšanas poga (0-1)
- G** Virzienmaiņas poga „Reverse” (*tūlītēja atpakaļgaita*)
- H** Motora bloks
- I** Papildu detaļa KEBBE gatavošanai
- I1** Padeves sprausla
 - I2** Gredzens
- J** Desiņu piltuve (*atkarībā no modeļa*)
- J1** Skrūves bloķētājs
 - J2** Piltuve
- K** Dārzeni smalcinātājs (*atkarībā no modeļa*)
- K1** Produktu padeves trauks / skurstenis
 - K2** Stūmējs
 - K3** Konusi
 - K3a** Rīves konuss
 - K3b** Šķēlēšanas konuss
 - K3c** Skrāpja konuss

DROŠĪBAS NORĀDĪJUMI:

- Pirms sāciet lietot ierīci, uzmanīgi izlasiet lietošanas pamācību: lietošana, kas neatbilst ierīces lietošanas pamācībai, atbrīvo Moulinex no jebkādas atbildības.
- Šī ierīce nav paredzēta lietošanai personām (to skaitā arī bērniem), kuru fiziskās, maņu vai garīgās spējas ir ierobežotas, kā arī personām ar nepietiekamu pieredzi un zināšanām, ja tās ierīci neizmanto par tām atbildīgo personu uzraudzībā vai arī tās minētā persona nav instruējusi par ierīces lietošanu.
- Uzraugiet bērnus un pārliecinieties, ka tie nespējās ar ierīci.
- Pārbaudiet, vai elektriskā tīkla spriegums atbilst ierīces spriegumam.
- **Pie nepareizas strāvas padeves garantija nav spēkā.**
- Jūsu ierīce paredzēta personīgai lietošanai virtuvē tikai mājas apstākļos, iekštelpās un ar uzraudzību.
- Ierīci izmantojiet uz līdzenas, tīras un sausas virsmas.
- Nekad neatstājiet garus matus, šalli vai kaklasaiti brīvi karājamies virs iedarbinātas ierīces.
- Atslēdziet ierīci no strāvas, tiklīdz beidziet ar to strādāt, tīrot un ievietojot vai izņemot papildu detaļas.
- Nelietojiet ierīci, ja tā nestrādā pareizi vai ir bojāta. Šādos gadījumos griezieties Moulinex autorizētā servisa centrā (skatīt sarakstu servisa grāmatīņā).
- Jebkāda iejaukšanās bez mazgāšanas un ikdienas apkopes jāveic Moulinex autorizētā servisa centrā.

- Neizmantojiet ierīci, ja bojāts tās elektrības vads. Lai izvairītos no riska, detaļu nomaiņu uzticiet autorizētam servisa centram (sarakstu skatīt servisa grāmatīnā).
- Nemērciet ierīci, elektrības vadu vai kontaktdakšu ūdenī vai jebkādā citā šķidrumā.
- Neatstājiet elektrības vadu bērniem pieejamā vietā.
- Elektrības vads nedrīkst atrasties tuvu karstiem priekšmetiem, karstuma avotam vai asai šķautnei.
- Jūsu drošībai izmantojiet tikai tos Moulinex piederumus un detaļas, kas paredzētas jūsu ierīcei.
- Nelietojiet ierīci ilgāk par 14 min.
- Jūsu drošības nolūkos šī ierīce atbilst piemērojamām normām un direktīvām:
 - Zemsprieguma direktīvai,
 - Elektromagnētiskajai savietojamībai,
 - Noteikumiem par vidi,
 - Noteikumiem par materiāliem, kas saskaras ar pārtiku.

PIRMS PIRMĀS LIETOŠANAS:

Pirms pirmās lietošanas nomazgājiet visus piederumus ziepjūdenī. Rūpīgi noskalojiet un nosusiniet.

Režģim un nazim jāpaliek taucainiem. Ieeļļojiet tos.

Nedarbiniet ierīci tukšgaitā, ja režģi nav ieeļļoti.

UZMANĪBU: Konusu asmeņi ir ļoti asi, apejieties ar tiem uzmanīgi, vienmēr satverot aiz plastmasas daļas.

IESLĒGŠANA:

GAĻAS MAĻAMĀS MAŠĪNAS GRIEZĒJDAĻA (A):

Gaļas maļamās mašīnas griezējdaļas uzstādīšana (1.1. un 1.2. shēma)

Paņemiet korpusu **A1** aiz skursteņa un novietojiet ar lielāko atvērumu uz augšu. Ievietojiet skrūvi **A2** (ar garāko asi pa priekšu) korpusā **A1**.

Ievietojiet nerūsējošā tērauda nazi **A3** uz skrūves **A2** īsākā ass gala ar griešanas virsmu uz ārpusi. Novietojiet režģi pēc jūsu izvēles uz naža **A3**, savienojot zobiņu ar korpusa **A1** ierobu.

Līdz galam (nenobloķējot) uzskrūvējiet uzgriezni **A5**.

Gaļas maļamās mašīnas griezējdaļas novietošana uz ierīces (2. shēma):

Ar skatu pret motora bloku **H**, kurš atslēgts no strāvas, ievietojiet maļamās mašīnas griezējdaļu, nolieciet to pa labi. Savienojiet 2 gaļas maļamās mašīnas zobiņus ar 2 motora bloka ierobiem.

Līdz galam ievietojiet gaļas maļamās mašīnas griezējdaļu motora blokā **H** un atlieciet skursteni pa kreisi, cik tālu iespējams (skurstenim jāpaliek vertikālā pozīcijā).

Novietojiet noņemamo trauku **B** uz gaļas maļamās mašīnas griezējdaļas zobiņiem.

Pievienojiet ierīci strāvai, tā ir gatava darbam.

Lietošana:

Sagatavojiet visus maļšanai paredzētos produktus, izņemiet kaulus, skrimšļus un cīpslas.

Sagrieziet gaļu gabaliņos (apm. 2x2cm).

Zem maļamās mašīnas griezējdaļas nolieciet trauku.

Lai ieslēgtu ierīci, uz ieslēgšanas/izslēgšanas pogas **F** nospiediet pozīciju „0”.

Novietojiet gaļas gabaliņus uz trauka **B** un ar stūmēja **C** palīdzību iestumiet skursteni.

Nekad nestumiet produktus skurstenī ar pirkstiem vai citu darbarīku.

Lai samaltu gaļu **Kebbe** vai **Kefta** pagatavošanai, izlaidiet gaļu 2 līdz 3 reizes caur maļamo mašīnu, līdz sasniegta vajadzīgā konsistence.

Padoms:

Pēc produkta samalšanas, jūs varat caur ierīci izlaist nedaudz maizes, lai izvadītu visu samalto produktu.

Ko darīt produkta iestrēgšanas gadījumā ? (3. shēma)

Apstādiniet maļamo mašīnu, nospiežot pozīciju „0” uz pogas ieslēgt / izslēgt **F**.

Uz dažām sekundēm nospiediet virzienmaiņas pogu „Reverse” **G**, lai atbrīvotu iestrēgušo produktu.

Lai turpinātu maļšanu, uz ieslēgšanas/izslēgšanas pogas **F** nospiediet pozīciju „1”.

Svarīgi: Lai ieslēgtu darbību „ieslēgt” **F** vai mainīt virzienu „Reverse” **G**, vispirms sagaidiet, kad ierīce pilnībā apstājusies.

PAPILDETAĻA KEBBE PAGATAVOŠANAI (I)

Uzstādīšana (4. shēma):

Maļamās mašīnas griezējdaļas korpusā **A1** ievietojiet skrūvi **A2**. Novietojiet padeves sprauslu **I1**, savienojot zobīņu ar korpusa **A1** ierobu.

Novietojiet gredzenu **I2** uz padeves sprauslas un uzskrūvējiet uzgriezni līdz galam.

Salikto griezējdaļu novietojiet uz motora bloka kā parādīts 4. shēmā.

Piezīme: šo papildu detaļu izmanto bez režģa un bez naža.

DESIŅU PILTUVE (atkarībā no modeļa)

Šī papildu detaļa, kas uzliekama uz maļamās mašīnas griezējdaļas, ļauj izgatavot visu veidu desiņas, pievienojot garšvielas pēc savas patikas.

Uzstādīšana (5. shēma)

Maļamās mašīnas griezējdaļas korpusā **A1** ievietojiet skrūvi **A2**. Uzmontējiet skrūves bloķētāju **J1**, savienojot zobīņu ar korpusa **A1** ierobu. Pēc tam uzlieciet piltuvi **J2**, tad uzgriezni **A5** un uzskrūvējiet līdz galam. Salikto ierīces griezējdaļu novietojiet uz motora bloka kā parādīts 5. shēmā.

Piezīme: šo papildu detaļu izmanto bez režģa un bez naža. Skrūves bloķētājs ļauj produkta gatavošanas laikā noturēt skrūvi pozīcijā.

Lietošana:

Svarīgi: šo papildu detaļu drīkst izmantot tikai pēc gaļas samalšanas, garšvielu pievienošanas un masas samaisīšanas.

Pēc desiņu apvalka atdzesēšanas remdenā ūdenī, lai tas kļūtu elastīgs, uzvelciet to uz piltuves **J2**, atstājot brīvu galu 5cm garumā.

Iepildiet maltās gaļas masu gaļas maļamās mašīnas **A** korpusa **A1** skurstenī, ieslēdziet ierīci un uzspiediet ar stūmēju **C**, lai ievadītu gaļas masu līdz piltuves galam.

Apstādiniet ierīci.

Uz atstātā 5cm garā apvalka gala uzsieniet mezglu. Uzstumiet mezglu līdz piltuves galam, lai izvairītos no gaisa iekļūšanas apvalkā.

No jauna ieslēdziet ierīci un turpiniet piepildīt apvalku ar maltās gaļas masu. Piepildiet apvalku ar gaļas masu līdz galam. Lai izvairītos no apvalka pārlietu nostiepšanās, neveidojiet desiņas pārāk lielas.

Piezīme: šo darbu vieglāk veikt divatā – viens ievada maltās gaļas masu un otrs tur apvalku ar pildījumu.

Piešķiriet desiņām vēlamo garumu, vietām sakniebjot un pagriežot apvalku.

Lai iegūtu labas kvalitātes desiņu, rūpējieties, lai piepildīšanas laikā apvalkā neiekļūtu gaisa un gatavojiet desiņas no 10 līdz 15cm garumā (atdaliel desiņas ar striķi, uzsiensot mezglu).

Dārzeņu smalcinātājs (K) (atkarībā no modeļa)

Uzstādīšana (6. shēma):

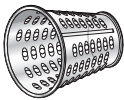


Ar skatu pret motora bloku novietojiet padeves trauku **K1**, noliecot to pa labi un savienojot padeves trauka austiņas ar motora bloka **H** atverēm. Ievietojiet no padeves trauka **K1** izejošo stieni motora bloka **H** asī. Savienojiet 2 gaļas maļamās mašīnas zobīņus ar 2 motora bloka ierobiem. Atlieciet padeves trauka **K1** skursteni pa kreisi, cik tālu iespējams.

Lietošana:

- Izvēlieties darbībai atbilstošo konusu.
- Izvēlēto konusu ievietojiet padeves trauka **K1** priekšpusē atverē, konuss jāievieto līdz maļšanas skrūves galam (7. att.).
- Pieslēdziet ierīci strāvai.
- Lai nostiprinātu konusu, nospiediet vienu vai divas reizes uz ieslēgšanas/izslēgšanas pogas **F** (8. att.).
- Ieslēdziet ierīci un tad ievietojiet produktus padeves trauka **K1** skurstenī (9. att.) un piespiediet produktus ar stūmēju **K2** (10. att.).
- Lai nomaiņītu konusu, sagaidiet, līdz tas pilnībā apstājies darboties, nospiediet uz sekundi virzienmaiņas pogu **G**, konuss automātiski iznāks ārā (11. att.).

UZMANĪBU: Pirms ierīces ieslēgšanas pārliecinieties, ka konuss ir pilnībā novietots uz urbja.

Lietojiet to konusu, kurš paredzēts noteiktajam produktu veidam:

	(*) Rīves konuss K3a 	(*) Šķēlēšanas konuss K3b 	(*) Skrāpja konuss K3c 
Burkāni	X	X	
Cukīni	X	X	
Kartupeļi	X	X	
Gurķi	X	X	
Paprika	X	X	
Sīpoli		X	
Bietes		X	
Kāposti (baltie/sarkanie)		X	
Āboli		X	
Melnie redīsi	X	X	
Selerijas sakne	X		
Banāns		X	
Parmezāna siers			X
Grijēras siers	X	X	
Šokolāde	X		X
Sausa maize / cepumi			X
Lazdu rieksti / valrieksti / mandeļi			X
Kokosrieksti			X

(*) atkarībā no modeļa

Padomi laba rezultāta iegūšanai:

Lai iegūtu apmierinošu rezultātu un izvairītos no produktu iesprūšanas padeves traukā, dārzeniem, ko izmantojat, jābūt cietiem. Neizmantojiet ierīci, lai sasmalcinātu vai sagrieztu pārāk cietus produktus, piemēram, cukuru vai gaļas gabalus.

Sagrieziet produktu, lai to būtu vieglāk ievietot padeves trauka skurstenī.

TĪRĪŠANA:

- Pirms motora bloka H tīrīšanas vienmēr atvienojiet ierīci no strāvas.
- Nekad negremdējiet motora bloku ūdenī un nelieciet zem tekoša krāna. Noslaukiet motora bloku ar mitru lupatiņu. Rūpīgi nosusiniet.

1) Gaļas maļamās mašīnas papildu detaļas:

Atskrūvējiet ierīces griezējdaļu vai dārzeņu smalcinātāja papildu detaļu, nospiežot pogu E. Pagrieziet ierīces griezējdaļu A pa labi un pavelciet uz sevi, lai atvienotu no motora bloka H.

- Lai noņemtu ierīces griezējdaļu A, noņemiet stūmēju C un trauku B, atskrūvējiet uzgriezni A5, izņemiet režģi A4, nazi A3 un skrūvi A2.

- Ar asajām detaļām rīkojieties piesardzīgi.

- Nomazgājiet visas detaļas siltā ziepjūdenī, noskalojiet un rūpīgi nosusiniet.

- Nelieciet ierīces griezējdaļu A (tas ir, korpusu A1, skrūvi A2, uzgriezni A5, nazi A3 un režģus A4) trauku mazgājamā mašīnā.

2) Sakņu smalcinātāja papildu detaļas (atkarībā no modeļa):

• Padeves trauku (K1), stūmēju (K2), konusus (K3a, K3b, K3c) var likt trauku mazgājamā mašīnā uz augšējās restes, izmantojot programmu „EKO” vai „NEDAUDZ NETĪRS”.

• Ar konusiem apejieties uzmanīgi, asmeņi ir ļoti asi.

• Ja ierīces plastmasas aksesuāri nokrāsojas no produktiem, piemēram, burkāniem, noberziet tos ar pārtikas eļļā samērcētu lupatiņu, pēc tam nomazgājiet kā parasti.

SALIKŠANA:

Režģus, nazi, skrūves bloķētāju, Kebbe un desiņu gatavošanas papildu detaļas (I1, I2 un J1, J2) var novietot ierīces aizmugurē (papildu detaļu novietnē D).

KO DARĪT, JA IERĪCE NEDARBOJAS?

Pārbaudiet strāvas padevi.

Ja ierīce joprojām nedarbojas, sazinieties ar Moulinex autorizēto servisu (skatīt sarakstu servisa grāmatīņā).

ELEKTRISKO UN ELEKTRONISKO PRODUKTU DARBĪBAS BEIGAS

Rūpēsimies par vides aizsardzību!



- ① Jūsu ierīce satur vairākus atjaunojamus vai pārstrādājamus materiālus.
- ➡ Izmetiet tos speciālajos savākšanas punktos vai nododiet autorizētā servisa centrā tālākai apstrādei.

RECEPTES

N.B.: Receptēm, kurām nepieciešama paaugstināta jauda, ierīces darbināšanas laikam nevajadzētu pārsniegt 20 sekundes.

Receptes piemērs (režģis ar vidēja izmēra caurumiem 4,7mm A4b):

KIBBE BI LABAN (kibbe gaļas bumbiņas jogurtā)

6 personām – Gatavošanas laiks: 1 h Nostādīšanas laiks: 1 h ledusskapī

Sastāvdaļas kibbe mīklai: 600g gaļas – 300g bulgura (sasmalcināti graudi) – Sāls

Sastāvdaļas mērcei: 1 kg jogurta – 1 saišķītis koriandra – 4 ķiploka daiviņas – 3 ēdamkarotes kukurūzas miltu – sāls, pipari

1. Sagrieziet gaļu 4 gabalos. Maļamajā mašīnā ievietojiet režģi ar 4,7mm caurumiem. Samaliet gaļu, pievienojot bulguru. Pieberiet sāli un atstājiet masu aukstumā uz 1 stundu.
2. Lai izveidotu kibbe bumbiņas: pievienojiet ierīcei kibbe gatavošanas papildu detaļu. No mīklas izveidojiet bumbiņas, saspiežot galus, izmantojot nedaudz ūdens.
3. Mērces pagatavošana: Nomazgājiet koriandru, nosusiniet salvetē un noņemiet lapiņas. Nomizojiet ķiploku un izspiediet to. Ielieciet ķiploku un koriandru krāsnī uz 1 līdz 2 minūtēm nelielā karstumā. Nolieciet malā.
4. Samaisiet jogurtu ar kukurūzas miltiem un pievienojiet piparus. Visu ielejiet kastrolī caur smalku sietiņu. Uzkaršējiet maisījumu līdz vārīšanās temperatūrai un samaziniet uguni. Maisiet, lai jogurts nesacietētu.
5. Pievienojiet ķiploku un koriandru. Vāriet gaļas bumbiņas 10 minūtes.

Variants: Jūs bumbiņas varat arī pildīt (ar gaļas un sīpolu maisījumu, kas pirms tam apcepts nelielā eļļas daudzumā ar sēkliņām).

MAROKĀŅU PELMEŅI (BRIOUATS)

4 personām – Gatavošanas laiks: 40 min. Vārīšanas laiks: 35 min.

Sastāvdaļas: 250 kārtainās mīklas – 350 g liellopa gaļas – 1 sīpols – 2 olas – paprika – sasmalcināts kanēlis un ingvers – pētersīļi – koriandrs – kārvele – cukurs – 60 g sviesta – olīveļļa.

1. Ievietojiet režģi ar 4,7mm caurumiem. Sagrieziet sīpolu 8 daļās un ievietojiet maļamajā mašīnā. Pannā uzkaršējiet 4 ēdamkarotes eļļas un pievienojiet sīpolu. Sautējiet uz mazas uguns, neapbrūninot. Nolieciet malā.
2. Samaliet liellopa gaļu. 10 minūtes apbrūniniet uz lēnas uguns kopā ar sīpolu. Nolieciet malā.
3. Mašīnā samaliet zaļumus. Pievienojiet tos maisījumam, pieberiet sāli, piparus, pusi tējkarotes paprikas, šķipsniņu ingvera un tējkaroti kanēļa.
4. Sakuliet olas, pievienojiet maisījumam un noņemiet no uguns.
5. Plānā kārtā izrullējiet kārtaino mīklu. Izgrieziet 10cm malu kvadrātus. Malas apsmērējiet ar sviestu.
6. Uz katra kvadrāta uzlieciet tējkaroti pildījuma. Sarullējiet, aizspiežot malas.
7. Vāriet pelmeņus eļļā. Kad tie gatavi, atstājiet nosusināties uz salvetes. Pārkaisiet cukuru un kanēli, Pasniedziet karstus.

Variants:

Maļamajā mašīnā ievietojiet režģi ar 4,7mm caurumiem. Sagrieziet sīpolu 8 daļās. Samaliet nedaudz gaļas, ievietojiet sīpolu maļamajā mašīnā.

Samaliet vēl nedaudz gaļas, tad zaļumus un visbeidzot pārējo gaļu. Sakuliet olas, pievienojiet tās pildījumam, pieberiet sāli, piparus, pusi tējkarotes paprikas, šķipsniņu ingvera un tējkaroti kanēļa. Visu samaisiet. Turpiniet soļus 5.–7.

PIROŽKI (zivju pīrādziņi)

4 personām – Gatavošanas laiks: 25 min. Cepšanas laiks: 10– 15 min.

Sastāvdaļas: 250 g kārtainās mīklas – 300 g vārītas zivs vai kūpināta laša – 2 cieti vārītas olas – saišķītis dilļu – 2 sīpoli – 100 g sālīta sviesta mazos gabaliņos – eļļa

1. Maļamajā mašīnā ievietojiet režģi ar 4,7mm caurumiem. Sagrieziet sīpolus 8 daļās un ievietojiet maļamajā mašīnā. Apbrūniniet pannā uz nelielas uguns ar nedaudz eļļas. Nolieciet maļā.
2. Samaliet nedaudz zivs, tad maļamajā mašīnā pievienojiet apcepto sīpolu, sviestu, dilles un pievienojiet pārējo zivi.
3. Plāni izrullējiet kārtaino mīklu, ar glāzes vai bļodiņas (lielākas vai mazākas) palīdzību izgrieziet aplus.
4. Uz karsējiet krāsni līdz 210 °C (termostata iestatījums 6).
5. Uz katra apla uzlieciet nedaudz pildījuma, salokiet mīklu, aizspiežot malas.
6. Lieciet krāsnī uz 10–15 minūtēm.

Liellopa gaļas bumbiņas

4 personām – Gatavošanas laiks 20 min. Cepšanas laiks: 10 – 15 min.

Sastāvdaļas: 1 kg liellopa gaļas – 1 sīpols – 1 ķiploka daiviņa – 2 šķēles pienā izmērcētas rupjmaizes – 2 olas – 1 kartupelis – milti – sāls, pipari

1. Šai receptei izvēlieties mīkstus un taukainus liellopu gaļas gabaliņus. Gaļu kopā ar maizi samaliet gaļas mašīnā.
2. Sagrieziet sīpolu ar šķēlēšanas konusa palīdzību (**K3b**) un sarīvējiet ķiploku un kartupeli ar rīvēšanas konusa (**K3a**) palīdzību.
3. Sajauciet samalto gaļu ar maizi, šķēlēs sagriezto sīpolu, ķiploku un kartupeli.
4. Klāt piemaliet olas, pievienojiet sasmalcinātus piparus un sāli un izveidojiet bumbiņas.
5. Apviļājiet bumbiņas miltos un cepiet eļļā.

Krāsni cepts kartupeļu pudiņš

4 personām – Gatavošanas laiks 30 min. Cepšanas laiks: 45 min.

Sastāvdaļas: 400 g maltās gaļas – 1 kg kartupeļu – 2 olas – 2 glāzes piena – 1 ķiploka daiviņa – 1,5 ēdamkarotes sviesta – 2 ēdamkarotes eļļas – sāls, pipari

1. Nomizojiet, noskalojiet un nosusiniet kartupeļus. Sagrieziet ar šķēlēšanas konusa palīdzību (**K3b**).
2. Samaliet liellopa gaļu, pievienojiet eļļu un ielieciet krāsnī uz 5 minūtēm.
3. Iesmērējiet cepamo veidni ar ķiploku un daļu sviesta.
4. Lieciet kārtās 2/3 kartupeļu un malto gaļu, uzberiet sāli, piparus un pa virsu pārliciet atlikušos kartupeļus.
5. Sakuliet olas ar karstu pienu un pārlejiet kartupeļu un gaļas kārtojuma. Pievienojiet pārējo sviestu. Lieciet krāsnī cepties vidējā temperatūrā uz 45 minūtēm.

Karamelizēti āboli ar mandeļēm

4 personām – Gatavošanas laiks 40 min. Cepšanas laiks: 30 min.

Sastāvdaļas: 6 āboli – 60 g brūnā cukura – 50 g sviesta – 50 g veselas mandeles – 20 cl saldā krējuma – tējkarote kanēļa

Ābolus nomizojiet, izņemiet sēklas un sagrieziet četrās daļās. Sagrieziet šķēlēs ar šķēlēšanas konusa (**K3b**) palīdzību un apbrūniniet ar 30 g sviesta. Ar sviestu ietaukojiet cepšanas pannu un noklājiet apakšā karamelizētos ābolus. Ar skrāpja konusa (**K3c**) palīdzību sasmalciniet mandeles pulverī. Bļodā samaisiet mandeļu pulveri, krējumu un kanēli. Pārlejiet maisījumu āboliem un pārberiet ar brūno cukuru. Lieciet krāsnī uz 160°C

Täname, et langetasite otsuse Moulinexi tootekataloogi kuuluva seadme valiku kasuks.

KIRJELDUS

- A Eemaldatav hakkimismehhanism.
 - A1 Alumiiniumkorpus
 - A2 Krui
 - A3 Iseterituv roostevabast materjalist lõiketera.
 - A4 Võred
 - A4a Väikeste avadega (2,4 mm) võre (*olenevalt mudelist*) väga peeneks hakkimiseks
 - A4b Keskliste avadega (4,7 mm) võre peeneks hakkimiseks
 - A4c Suurte avadega (8 mm) võre jämedaks hakkimiseks
 - A5 Alumiiniumist mutter
- B Eemaldatav kandik
- C Liha tõukur
- D Tarvikute panipaiga luuk
- E Hakkimismehhanismi lahtilukustamise nupp
- F Sisse- ja väljalülitamise (0–1) nupp
- G „Reverse”-lülit (lühiajaline tagurpidikäik)
- H Mootoriplokk
- I KEBBE-tarvik
 - I1 Suunav otsik
 - I2 Võru
- J Vorstide pressimise otsik (*olenevalt mudelist*)
 - J1 Krui tsentreerimisrõngas
 - J2 Otsik
- K Köögiviljalõikur (*olenevalt mudelist*)
 - K1 Koonusriivide salv / täitmisava
 - K2 Tõukur
 - K3 Koonusriiv
 - K3a Koonusriiv
 - K3b Viilutaja
 - K3c Peenestamisriiv

OHUTUSESKIRJAD

- Enne seadme esmakordset kasutuselevõtmist lugege tähelepanelikult kasutusjuhendit: tootjatehase vastutus ei laiene võimalikele tagajärgedele, mis kaasnevad seadme mittenoüetekohase käitamisega.
- Seadet ei tohi kasutada piiratud füüsiliste, sensoorsete või vaimsete võimetega isikud (kaasa arvatud lapsed) või vastavate teadmiste ja kogemusteta isikud ilma nende turvalisuse eest vastutava isiku järelevalve ja eelneva seadme kasutamist selgitava juhendamiseta.
- Seade on mõeldud vaid sihtotstarbeliseks kasutamiseks. Kindlasti ei tohi seadet anda lastele mängimiseks.
- Veenduge, et seadme nimipinge vastaks elektrivõrgu pingele.
- Igasugune seadme väärhendamine vooluvõrku tühistab ka seadmele kehtiva garantii.
- Seadet on lubatud kasutada vaid kodumajapidamises, siseruumides ja ainult järelevalve all.
- Kasutage seadet vaid siledal, puhtal ja kuival tasapinnal.
- Jälgige tähelepanelikult, et pikad juuksed, sall või lips ei jääks kunagi seadmel töötavate tarvikute kohale rippuma.
- Pärast seadme kasutamist tuleb see kohe vooluvõrgust lahti ühendada. Samuti tuleb seade vooluvõrgust lahti ühendada seadme puhastamiseks ning tarvikute paigaldamise ja eemaldamise ajaks.
- Seadet ei ole lubatud kasutada juhul, kui seadme töös esineb tõrkeid või kui seade on kahjustatud. Sellisel juhul pöörduge Moulinexi volitatud teenindusettevõtte poole (tutvuge loeteluga hooldusraamatus).
- Kliendi pädevusse kuuluvad seadme puhastamine ning igapäevased toimingud seadmega. Kõiki muid toiminguid ja remonttöid võib läbi viia vaid Moulinexi volitatud teenindusettevõtte.

- Seadet ei ole lubatud kasutada juhul, kui selle toitejuhe on kahjustada saanud. Igasuguse võimaliku ohu vältimiseks tuleb kindlasti lasta need välja vahetada Moulinexi volitatud teenindusettevõtte poolt (tutvuge loeteluga hooldusraamatus).
- Ärge kastke seadet, toitejuhet või pistikut vette ega ükskõik millisesse muusse vedelikku.
- Ärge jätke seadme toitejuhet rippuma nii, et see võib sattuda laste käeulatusse.
- Toitejuhet ei tohi mitte kunagi asetada seadme enda või ükskõik millise muu kuumaallika kuumenenud osade vastu või lähedusse, ning samuti tuleb vältida murdekohti toitejuhtmes.
- Teie enda ohutuse huvides on seadme juures lubatud kasutada vaid Moulinexi seadmele mõeldud tarvikuid ja originaalosi.
- Seadet ei ole lubatud järjest kasutada rohkem kui 14 minuti jooksul.
- Teie turvalisuse tagamiseks vastab see seade normidele ja ettekirjutustele järgmistes valdkondades:
 - madalpinge direktiiv;
 - elektromagnetiline vastavus;
 - keskkond;
 - toiduainetega kokkupuutuvad materjalid.

ENNE SEADME KASUTUSELEVÕTTU

Peske kõik tarvikud seebiveega puhtaks. Loputage ja kuivatage neid kohe pärast pesemist hoolikalt.

Võrestik ja lõiketera peavad jääma õlisteks. Määrige neid õliga.

Kuivade võrede korral ei ole lubatud seadet tühjal käima lülitada.

TÄHELEPANU Koonuste terad on väga teravad! Koonuseid kasutades tuleb olla eriti ettevaatlik. Hoidke kinni vaid koonuste plastosast.

KASUTAMINE:

HAKKLIHAMASIN (A):

Hakkimismehhanismi seadistamine (joonised 1.1 ja 1.2)

Hoidke korpust **A1** täiteavast paigal nii, et laiem ava oleks suunatud ülespoole. Seejärel sisestage kruvi **A2** (pikk telg ees) oma kohale korpuses **A1**.

Kinnitage roostevabast materjalist lõiketera **A3** lühikesele, üle kruvi **A2** ulatuva teljele nii, et terad oleksid suunatud väljapoole. Paigutage soovikohane võre oma kohale noal **A3** nii, et positsioneerimise hammas ühtiks korpuse **A1** vastava sälguga.

Keerake mutter **A5** kinni (ilma seda pingutamata).

Hakkimismehhanismi monteerimine seadmele (joonis 2)

- Paigutage paremale poole kallutatud täiteavaga hakkimismehhanism vooluvõrgust lahtiühendatud mootoriplokile **H**. Asetage hakkimisseadme kaks hammast mootoriploki kahe sälguga kohakuti

Suunake hakkimisseade kuni lõpuni mootoriploki **H** ja keerake seejärel täiteava nii kaugele vasakule kui võimalik (täiteava peaks nüüd olema püstises asendis).

- Asetage eemaldatav kandik **B** oma kohale nii, et see asetuks sälkudesse hakkimisseadme täiteaval.

Ühendage seade vooluvõrku – seade on kasutamiseks valmis!

Hakkimine

Valmistage ette kõik hakitavad toiduained, eemaldage luud, kõõlused ja närvid

Lõigake liha tükkideks (umbes 2 x 2 cm).

Asetage hakklihamasina otsiku alla sobiv nõu.

Seadme tööle lülitamiseks lükake sisse- ja väljalülitamise nupp **F** asendisse „I“.

Asetage lihatükid kandikule **B** ja suunake need tõukuri **C** abil ükshaaval täiteavasse.

Ärge lükake mingil juhul täiteavasse näppe ega esemeid.

Eriti peene struktuuriga **Kebbe** või **Kefta** pasteedi valmistamiseks laske liha kaks kuni kolm korda läbi hakklihamasina, kuni saavutate soovikohase struktuuri.

Näpunäited

Hakkimisprotsessi lõpetuseks võib seadmesse jäänud hakkliha väljutamiseks lasta hakklihamasinast läbi mõned saiatükid.

Mida teha ummistumise korral? (joonis 3)

Peatage hakklihamasin, vajutades selleks seadme sisse- ja väljalülitamise nupp **F** asendisse „0“.

Seejärel vajutage mõne sekundi jooksul nupule „Reverse“ **G**. Toiduained suunatakse eemale.

Hakkliha valmistamise jätkamiseks suunake sisse- ja väljalülitamise nupp F asendisse „I“.

Tähtis teada: Enne seadme uuesti hakkimisrežiimile lülitamist nupuga F või funktsiooni „Reverse” G rakendamist oodake ära seadme täielik seiskumine.

KEBBE–TARVIK (I)

Seadistus (joonis 4):

Paigutage kruvi **A2** hakkimisseedme korpusesse **A1**. Paigutage suunav otsik **I1** oma kohale nii, et selle positioneerimise hammas asetaks vastavasse sätku korpusesse **A1**.

Paigutage võru **I2** suunavale otsikule ja keerake mutter **A5** kuni lõpuni kinni.

Sellisel moel seadistatud hakkimisseedme asetakse seejärel mootoriplokile joonisel 4 kujutatud viisil.

Tähelepanu: seda tarvikut kasutatakse ilma võre ja löiketerata.

VORSTIPRESSIMISE OTSIK (J) (olenevalt mudelist)

Selle hakkimisseedmele paigutatava tarviku abil on võimalik valmistada erinevaid vorstikesi vastavalt Teie enda maitsele.

Seadistus (joonis 5)

Paigutage kruvi **A2** hakkimisseedme korpusesse **A1**. Asetage kruvi tsentreerimisrõngas **J1** oma kohale nii, et selle positioneerimise hammas ühtiks vastava süvendiga korpusesse **A1**. Seejärel paigutage oma kohale otsik **J2** ja mutter **A5** ning keerake mutter kinni. Sellisel moel seadistatud hakkimisseedme asetakse seejärel mootoriplokile joonisel 5 kujutatud viisil.

Tähelepanu: seda tarvikut kasutatakse ilma võre ja löiketerata. Kruvi tsentreerimisrõngas hoiab seadme funktsioneerimise käigus kruvi õiges asendis.

Kasutamine

Tähtis teada seda tarvikut kasutatakse alles pärast liha hakkimist, maitsestamist ja segu valmissegamist.

Keerige soolikas, olles seda parima võimaliku elastsuse saavutamiseks enne leiges vees leotanud, otsikule **J2**, jättes soolika otsa umbes 5 cm ulatuse üle otsiku.

Täitke hakklihamasina A korpuse **A1** täiteava hakklihaga, lülitage seade tööle ja vajutage tõukuriga **C** hakktäidist, kuni see jõuab otsiku suudmeni.

Seisake seade.

Siduge 5 cm üle otsiku ulatuv soolika ots sõlme. Lükake sõlm vastu otsiku suuet. Nii väldite õhu jäämist soolika sisse.

Lülitage seade taas tööle ja jätkake vorsti hakklihaga täitmist. Jälgige soolika täitumist ja lükake soolikast vastavalt sellele edasi. Ärge pressige vorstikesi liiga jämedaks, kuna see pinguldab soolikaid liigselt.

Tähelepanu: seda tööd on kõige otstarbekam teha kahekesi – üks annab hakkliha masinasse ette ja teine tegeleb täidetud vorstikestega.

Valmistage soovikohase pikkusega vorstikesed – selleks pigistage soolikas sobivas kohas kokku ning keerake seda. Selleks, et vorstikesed saaksid võimalikult kvaliteetsed, jälgige, et täitmise käigus ei satuks tootesse õhku, ning valmistage vorstikesed umbes 10 kuni 15 cm pikkused (eraldage vorstikesed üksteisest sõlmekestest abil).

KÖÖGIVILJALÕIKUR (K) (olenevalt mudelist)

Seadistus (joonis 6)

Paigutage paremale poole kallutatud salv **K1** vooluvõrgust lahtiühendatud mootoriplokile nii, et salve kõrvakesed asetuksid kohakuti vastavate avadega mootoriplokis **H**. Paigutage salvest **K1** väljaulatuv varras mootoriploki **H** teljele. Pöörake salve **K1** täiteava tagasi vasakule nii kaugelt kui võimalik.

Kasutamine

- Valige otstarbekohane koonusriiv/koonuslõikur.
- Asetage soovikohane koonusriiv/koonuslõikur salve **K1** esiosas olevasse avasse. Koonus peab hoidikus korralikult lõpuni oma kohale asetunud olema (joonis 7).
- Ühendage seade vooluvõrku.
- Koonuse paigale lukustamiseks vajutage üks või kaks korda sisse- ja väljalülitamise nupule **F** (joonis 8).
- Käivitage seade, seejärel sisestage toiduained salve **K1** täiteava kaudu (joonis 9) ja suruge täiteavas toiduained tõukuri **K2** abil allapoole (joonis 10).
- Koonuse vahetamiseks oodake ära koonuse täielik seiskumine ja hoidke ühe sekundi vältel all nuppu **G** ehk „Reverse”. Koonus irdub automaatselt (joonis 11).

TÄHELEPANU: Enne seadme käivitamist veenduge, et koonus oleks korrektselt hoidikusse oma kohale paigutatud.

Erinevate toiduainetega töötamiseks kasutage sobivat koonust:

	(*) Koonusriiv K3a	(*) Viilutaja K3b	(*) Peenestamisriiv K3c
Porgandid	X	X	
Suvikõrvitsad	X	X	
Kartulid	X	X	
Kurk	X	X	
Pipar	X	X	
Sibulad		X	
Peedid		X	
Kapsas (valge/punane)		X	
Õunad		X	
Mädarõigas	X	X	
Juurseller	X		
Banaan		X	
Parmesan			X
Šveitsi juust	X	X	
Šokolaad	X		X
Kuivatatud sai / kuivikud			X
Sarapuupähklid / kreeka pähklid / mandlid			X
Kookospähklid			X

(*) *olenevalt mudelist*

Nõuandeid parimate tulemuste saavutamiseks:

Hea kvaliteedi saavutamiseks ja selleks, et toiduained salve ei ummistaks, peavad kasutatavad toiduained olema tahked. See seade pole mõeldud väga kõvade toiduainete nagu suhkru või lihatükide peenestamiseks või viilutamiseks.

Lõigake toiduained sobiva suurusega tükkideks. Nõnda on neid hõlpsam täitevasse lükata.

PUHASTAMINE:

- Enne mootoriploki H puhastamist tuleb seade alati vooluvõrgust lahti ühendada.
- Mootoriploki ei ole lubatud vette kasta ega leotada. Mootoriploki puhastamiseks kasutage niisket lappi. Kuivatage seade hoolikalt.

1) Hakklihamasina tarvik

- Otsiku või köögiviljalõikuri lahtilukustamiseks vajutage nupule E.
- Hakkimisseadme A mootoriplokist H eraldamiseks keerake seadet paremale ja tõmmake seda enda suunas.
- Hakkimisseadme A lahtiühendamiseks eemaldage tõukur C ja kandik B, keerake lahti mutter A5, eemaldage võre A4, lõiketera A3 ja kruvi A2.
- Ettevaatust teravate detailide käsitlemisel!
- Peske kõik detailid sooja seebiveega puhtaks, loputage ja kuivatage need hoolikalt.
- Hakkimisseadet A (st korpust A1, kruvi A2, mutrit A5, lõiketera A3 ja võresid A4) ei ole lubatud pesta nõudepesumasinas.

2) Köögiviljalõikuri tarvik (olenevalt mudelist)

- Salve (K1), tõukurit (K2), koonuseid (K3a, K3b, K3c) on lubatud pesta nõudepesumasina ülemises korvis juhul, kui pesemiseks kasutatakse nõudepesemise programmi „ECO” või „Kergelt määrduvad”.
- Ettevaatust koonuste käsitlemisel! Koonuste terad on väga teravad.
- Juhul, kui plastmaterjalist valmistatud tarvikud on toiduainetelt, nagu nt porganditelt, värvi võtnud, hõõruge neid toiduõliga immutatud lapiga. Seejärel puhastage tarvikuid nagu tavaliselt.

PANIPAIAK

Võrede, lõiketera, kruvi tsentreerimisrõnga, Kebbe-tarviku ja vorstikeste pressimise tarviku (I1, I2 ja J1, J2) mugavaks hoiustamiseks selle aja jooksul, kui seadet ei kasutata, on seadme tagaküljele tehtud spetsiaalne panipaik (panipaiga luuk D).

KUIDAS TOIMIDA, KUI SEADME TÖÖS ESINEB TÕRKEID?

Kontrollige seadme ühendust vooluvõrku.

Juhul, kui seade endiselt ei toimi, pöörduge Moulinexi volitatud teenindusettevõtte poole (tutvuge loeteluga hooldusraamatus).

ELEKTRI- VÕI ELEKTROONIKASEADME UTILISEERIMINE

Üheskoos keskkonda säästes!



① Teie seade sisaldab mitmeid taaskasutatavaid või ümbertöödeldavaid materjale.

➔ Tooge seade vaid spetsiaalsesse kogumisjaama või selle puudumisel volitatud teenindusettevõttesse, kus teie seade utiliseeritakse vastavalt eeskirjadele.

RETSEPTID

N. B.: Suurt võimsust eeldavate valmistamisprotsesside korral ei ole lubatud seadet kasutada kauem kui 20 sekundit korraga. Näidisretsept (kasutades 4,7 mm ehk keskmiste avadega võret A4b):

KIBBE BI LABAN (Kibbe-pallikesed jogurtiga)

6 inimesele - Valmistamisaeg: 1 h Ooteaeg: 1 h külmikus

Kibbe-pasteid valmistusained: 600 g liha - 300 g bulgurit (krakitud nisu) - Soola

Kastme valmistusained: 1 kg jogurtit - 1 kimp koriandrit - 4 küüslauguküünt - 3 supilusikatäit maisitärklis - Soola, pipart

1. Lõigake liha neljaks tükiks. Paigaldage hakklihamasinale 4,7 mm avadega võre. Laske liha koos krakitud nisuga (bulguriga) läbi hakklihamasina. Lisage sool, seejärel laske saadud segul ühe tunni jooksul külmikus jahtuda.
2. Kibbe-pallikeste valmistamiseks: paigaldage seadmele Kibbe-tarvik. Rullige tainas ja moodustage pallikesed. Selleks vajutage nende servad vähese veega kokku.
3. Kastme valmistamiseks: peske puhtaks koriandrikimp, kuivatage see majapidamispaperiga ja eemaldage lehed. Koorige küüslauguküüs ja purustage see. Pruunistage küüslauku ja koriandrit pannil 1 kuni 2 minutit madalal kuumusel. Asetage kõrvale.
4. Segage kokku jogurt ja maisitärklis, seejärel lisage soola ja pipart. Valage saadud segu läbi peene sõela kastrulisse. Kuumutage keemiseni, seejärel vähendage kuumust. Hoidke madalal tulel. Segada pidevalt, et vältida jogurti põhjakõrbemist.
5. Lisada küüslauk ja koriander. Pošeerige Kibbe-pallikesi 10 minuti jooksul.

Variatsioon: Samuti on võimalik valmistada täidisega lihapalle (kasutades sibula- ja hakklihasegu, mida on eelnevalt koos piiniapähklietega kerges õlis pruunistatud).

TASKUD

4 inimesele - Valmistamisaeg: 40 min Küpsetamisaeg: 35 min

Koostis: 250 g lehttainast - 350 g loomaliha - 1 mugulsibul - 2 muna - paprikapulber - jahvatatud kaneel ja ingver - petersell - koriander - harakputk - ouhkur - 60 g võid - oliiviõli

1. Paigaldage hakklihamasinale 4,7 mm avadega võre. Lõigake mugulsibul kaheksaks ja laske see läbi hakklihamasina. Kuumutage pannil 4 supilusikatäit oliiviõli, seejärel lisage sibul. Kuumutage ilma pruunistamata. Asetage kõrvale.
2. Laske loomaliha läbi hakklihamasina. Pruunistage koos sibulaga kümne minuti jooksul madalal kuumusel. Asetage kõrvale.
3. Laske maitsetaimed läbi hakkimisemasina. Seejärel lisage need pannile koos soola ja pipraga, poole teelusikatäie paprikapulbriga, näpuotsatäie ingveriga ja väikese lusikatäie kaneeliga.
4. Seejärel lisage lahtiklopitud munad, segage ja lõpetage kuumutamine.

5. Valmistage ette piisavalt õhuke kiht lehttainast. Lõigake kümnesentimeetrisel servapikkusega ruudud. Määrige servadele võid.
6. Pange igale ruudule väike lusikatäis hakktäidist. Murdke ruudud kokku ja vajutage servad kinni.
7. Asetage taskud fritüüri keeva õli sisse. Fritüürist väljavõtmisel laske taskutel veidi majapidamispaperile asetatuna taheneda. Riputage peale suhkrut ja kaneeli. Serverige kuumalt

Variatsioon

Paigaldage hakklihamasinal 4,7 mm avadega võre. Lõigake sibul kaheksaks. Valmistage veidi hakkliha, laske sibul läbi hakklihamasina.

Lisage veel veidi liha, seejärel maitsetaimed ja lõpetuseks ülejäänud osa lihast. Kloppege munad lahti ja lisage need koos soola ja pipraga, poole teelusikatäie paprikapulbriga, näpuotsatäie ingveriga ja väikse lusikatäie kaneeliga hakktäidisele. Segage kõik läbi. Järgige kirjeldatud valmistusetappe viiendast seitsmenda sammuni.

PIRUKAD

(kalapasteediga)

4 inimesele - Valmistamisaeg: 25 min Küpsetamisaeg: 10 - 15 min

Koostis: 250 g lehttainast - 300 g küpsetatud kala või suitsulõhet - 2 kõvakskeedetud muna - 1 kimp tilli - 2 mugulsibulat - 100 g soolatud võid väikeste kuubikutena - õli

1. Paigaldage hakklihamasinal 4,7 mm avadega võre. Lõigake sibulad kaheksaks ja laske need läbi hakklihamasina. Pruunistage sibulad vähese õliga pannil, mis on asetatud madalale tulele. Pange kõrvale.
2. Laske osa kalast läbi hakklihamasina, seejärel lisage praetud sibul, või, till ja seejärel ülejäänud osa kalast.
3. Valmistage ette piisavalt õhuke kiht lehttainast, lõigake klaasi või väikese kausi abil sõõrid (soovikohase suurusega).
4. Kuumutage ahi 210 °C-ni (th.6).
5. Pange igale sõõrile veidi hakktäidist, murdke taigasõõr kokku ja vajutage servad kinni.
6. Küpsetage ahjus 10 kuni 15 minutit, kuni taskud muutuvad kuldseks.

Hakklihapallid loomaliha

4 inimesele - Valmistamisaeg 20 min Küpsetamisaeg: 10 - 15 min

Koostis: 1 kg loomaliha - 1 mugulsibul - 1 küüslauguküüs - 2 vilu piimas leotatud leiba - 2 muna - 1 kartul - jahu - soola, pipart

1. Selle retsepti järgi pallide valmistamiseks valige võimalikult vähese rasvasisaldusega loomaliha tükke. Laske liha koos leivaviiludega läbi hakklihamasina.
2. Lõigake sibul koonuslõikuri (K3b) abil viiludeks ning riivige küüslauk ja kartul, kasutades selleks koonusriivi (K3a).
3. Segage hakitud liha leivaga, viilutatud sibulaga, küüslauguga ja kartuliga kokku.
4. Lisage hakktäidisele munad, jahvatatud must pipar ja sool ning vormige pallikesed.
5. Veeretage pallikesi jahu sees ja küpsetage neid fritüüris.

Ahjus valmistatud kartulivorm

4 inimesele - Valmistamisaeg 30 min Küpsetamisaeg: 45 min

Koostis: 400 g hakitud liha - 1 kg kartuleid - 2 muna - 2 klaasi piima - 1 küüslauguküüs - 1,5 supilusikatäis võid - 2 supilusikatäit õli - Soola, pipart

1. Koorige, peske ja kuivatage kartulid. Lõigake kartulid viilutaja (K3b) abil viiludeks.
2. Laske loomaliha läbi hakklihamasina, hakitud liha praadida pannil kuumas õlis viie minuti jooksul.
3. Hõõruge vormi sisemust küüslauguga, seejärel määrige seda ühe osa võiga.
4. Paigutage vormi kihtidena 2/3 kartuleid ja sellele kiht hakkliha, lisage soola ja pipart, seejärel lisage ülejäänud kartulid.
5. Kloppege munad kuuma piimaga lahti ja valage saadud segu kartulitele. Lisage ülejäänud või. Küpsetage ahjus keskmisel temperatuuril 45 minutit.

Õunavorm mandlitega

4 inimesele - Valmistamisaeg 40 min Küpsetamisaeg: 30 min

Koostis: 6 õuna - 60 g pruuni suhkrut - 50 g võid - 50 g terveid mandleid - 20 cl koor - 1 teelusikatäis kaneeli

Koorige õunad, eemaldage südamikud ja lõigake õunad neljaks. Viilutage õunad, kasutades selleks viilutajat (K3b), ja pruunistage õunad, praadides neid 30 g võiga. Määrige vorm kergelt võiga kokku ja asetage suhkrustatud õunad põhja. Jahvatage mandlid peenestusriivi (K3c) abil peeneks. Segage salatikaussi kokku jahvatatud mandlid, koor ja kaneel. Valage saadud segu õuntele ja puistake peale pruuni suhkrut. Küpsetage rooga 160°C juures.

ОПИСАНИЕ:

- A Подвижна мелеща глава
 - A1 Алюминиев корпус
 - A2 Винт
 - A3 Самонаточващ се нож от неръждаема стомана
 - A4 Решетки
 - A4a Решетка с малки дупки (2,4 mm) *(в зависимост от модела)* за фино смилане
 - A4b Решетка със средни дупки (4,7 mm) за ситно смилане
 - A4c Решетка с големи дупки (8 mm) за едро смилане
 - A5 Алюминиева гайка
- B Подвижна поставка
- C Бутало за месо
- D Отделение за съхранение на приставките
- E Бутон за освобождаване на мелещата глава
- F Бутон за включване/изключване (0-1)
- G Бутон «Reverse» (функция за моментално обръщане посоката на въртене)
- H Моторен блок
- I Приставка за КЪББЕ
 - I1 Накрайник на приставката
 - I2 Пръстен
- J Фуния за колбаси *(в зависимост от модела)*
 - J1 Приставка за центриране на винта
 - J2 Фуния
- K Приставка за рязане на зеленчуци *(в зависимост от модела)*
 - K1 Контейнер за барабани / комин
 - K2 Бутало
 - K3 Барабани
 - K3a Барабан едро ренде
 - K3b Барабан за рязане
 - K3c Барабан фино ренде

МЕРЫ ПРЕДОСТОРОЖНОСТИ :

- Прочетете внимателно ръководството за употреба преди първата употреба на уреда: Moulinex не носи никаква отговорност при несъобразено с ръководството за употреба използване.
- Този уред не е предвиден да бъде използван от лица (включително от деца), чиито физически, сетивни или умствени способности са ограничени, или от лица, лишени от опит или познания, освен ако отговорно за тяхната безопасност лице наблюдава и дава предварителни указания относно използването на уреда.
- Наглеждайте децата, за да сте сигурни, че не си играят с уреда.
- Уверете се, че захранващото напрежение на уреда отговаря на електрическото захранване.
- При неправилно захранване гаранцията отпада.
- Уредът е предназначен единствено за домашна кухненска употреба на закрито и под наблюдение.
- Използвайте уреда върху равна, чиста и суха повърхност.
- Никога не оставяйте дълга коса, шал или вратовръзка да висят над работещите приставки.
- Изключвайте уреда от мрежата веднага след употреба, когато го почиствате и когато поставяте или изваждате приставките.

- Не използвайте уреда, ако не работи правилно или е повреден. В такъв случай се обърнете към оторизиран сервиз на Moulinex (вижте списъка в книгката за сервизно обслужване).
- Всяка манипулация, освен почистването и обичайната поддръжка от клиента, трябва да се извършва в оторизиран сервиз на Moulinex.
- Не използвайте уреда, ако захранващият кабел е повреден. За да избегнете всякакъв риск, кабелът трябва да бъде задължително сменен в оторизиран сервиз на Moulinex (вижте списъка в книгката за сервизно обслужване).
- Не потапяйте уреда, захранващия кабел или щепсела във вода или друга течност.
- Не оставяйте захранващия кабел на достъпно за деца място.
- Захранващият кабел никога не трябва да бъде близо до или в контакт с нагорещени повърхности, близо до източници на топлина или остри ръбове.
- За вашата безопасност използвайте само оригинални приставки и части на Moulinex, пригодени за вашия уред.
- Не оставяйте уреда да работи повече от 14 минути.
- За вашата безопасност този уред съответства на стандартите и действащата нормативна уредба:
 - Нисковолтова директива
 - Директива за електромагнитна съвместимост
 - Директива за опазване на околната среда
 - Директива относно материали, които влизат в контакт с храни.

ПРЕДИ ПЪРВАТА УПОТРЕБА:

Измийте всички приставки със сапунена вода. Веднага след това ги изплакнете и внимателно ги подсушете.

Решетката и ножът трябва да останат мазни. Намажете ги с олио.

Ако решетките не са смазани, не оставяйте уреда да работи на празен ход.

ВНИМАНИЕ: Ножчетата на барабаните са изключително остри, да се борави внимателно с тях, като се вхващат винаги за пластмасовата част.

ВКЛЮЧВАНЕ:

МЕЛЕЩА ГЛАВА (А):

Сглобяване на мелещата глава (схеми 1.1 и 1.2)

Хванете корпуса А1 за фунията, като поставите широкия отвор нагоре. Поставете винта А2 (с дългата ос навътре) в корпуса А1.

Поставете ножа от неръждаема стомана А3 върху късата ос на винта А2, като режещите повърхности трябва да са обърнати навън. Поставете желаната от вас решетка върху ножа А3, като щифта трябва да влезе в жлеба на корпуса А1.

Завийте докрай гайката А5 (без да я блокирате).

Поставяне на мелещата глава върху уреда (схема 2):

- Поставете мелещата глава срещу изключения моторен блок Н, като държите фунията леко наклонена надясно.

Поставете двата палеца на мелещата глава в жлебовете на моторния блок.

Вкарайте докрай мелещата глава в моторния блок Н и завъртете фунията наляво до ограничителя (фунията трябва да бъде във вертикално положение).

- Поставете подвижната поставка В върху щифтовете на фунията на мелещата глава.

Използване:

Пригответе цялото количество продукти за смилане, отстранете костите, хрущялите и сухожилията.

Нарежете месото на парчета (2 cm X 2 cm приблизително).

Поставете подходящ съд под мелещата глава.

Натиснете върху позиция «л» на бутона за включване/изключване F, за да включите уреда.

Поставете парчетата месо върху поставката В и ги избутайте едно по едно във фунията с помощта на буталото С.

Никога не избутвайте месото във фунията с пръсти или с друг прибор.

За приготвяне на фина кайма за къббе или кефта, прекарайте месото 2 или 3 пъти през мелещата глава, докато получите желания резултат.

Полезен съвет:

След като приключите с меленето, можете да пуснете няколко парчета хляб в месомелачката, за да излезе останалата в уреда кайма.

Какво да правим, ако месомелачката се задръсти? (схема 3)

Спрете уреда, като натиснете върху позиция «0» на бутона за включване/изключване F.

След това задръжте натиснат за няколко секунди бутона за обръщане посоката на въртене «Reverse» G, за да отстраните продуктите.

Натиснете върху позиция «!» на бутона за включване/изключване F, за да продължите меленето.

Важно: изчакайте пълното спиране на уреда преди да задействате команда «Включи» F или команда «Reverse» G.

ПРИСТАВКА ЗА КЪББЕ (I)

Сглобяване (схема 4):

Поставете винта A2 в корпуса A1 на мелещата глава. Поставете накрайника на приставката I1, като щифта трябва да съвпадне с жлеба на корпуса A1.

Наместете пръстена I2 върху накрайника на приставката и завийте гайката A5 докрай.

Поставете така сглобената приставка върху моторния блок, както е показано на схема 4 .

Забележка: тази приставка се използва без решетка и без нож.

ФУНИЯ ЗА КОЛБАСИ (J) (в зависимост от модела)

Тази приставка, която се монтира върху мелещата глава, дава възможност да направите различни видове колбаси с подправки по ваш вкус.

Сглобяване (схема 5)

Поставете винта A2 в корпуса A1 на мелещата глава. Поставете приставката за центриране на винта J1, като щифта трябва да влезе в жлеба на корпуса A1. Поставете фунията J2, след това гайката A5 и я завийте докрай.

Поставете така сглобената мелеща глава върху моторния блок, както е показано на схема 5.

Забележка: тази приставка се използва без решетка и без нож. Приставката за центриране на винта придържа винта позициониран по време на изпълнение на рецептата.

Използване:

Важно: тази приставка се използва след като сте смлели месото, добавили подправките и след като сте разбъркали добре сместа.

След като сте оставили червото да кисне в хладка вода, за да възвърне еластичността си, нахлузете го върху фунията J2 , като оставите около 5 cm резерва.

Напълнете с кайма фунията на корпуса A1 на мелещата глава A, включете уреда и натиснете буталото C , така че каймата да отиде до края на фунията.

Изключете уреда.

Направете възел с резервните 5 cm от червото. Избутайте възела на края на фунията, за да избегнете влизането на въздух в червото.

Включете отново уреда и продължете подаването на кайма. Изтегляйте червото постепенно, докато се пълни. За да избегнете прекомерното обтягане на червото, не правете колбасите прекалено дебели.

Забележка: Тази работа се извършва по-лесно от двама души, като единият подава каймата, а другият придържа пълнещото се черво.

Придайте на колбасите желаната дължина, като прищипвате и усуквате на места червото.

За да направите качествен колбас, старайте се, докато пълните червото, в него да не влиза въздух. Правете колбасите с дължина 10–15 cm (отделяйте ги, като поставяте връв, с която да правите възел).

ПРИСТАВКА ЗА РЯЗАНЕ НА ЗЕЛЕНЧУЦИ (K) (в зависимост от модела)

Сглобяване (схема 6):

С лице към изключения моторен блок поставете контейнера K1, наклонен надясно, и наместете ушите на контейнера в отворите на моторния блок H. Поставете цилиндъра, излизащ от контейнера K1 в оста на моторния блок H. Завъртете фунията на контейнера K1 наляво до ограничителя.

Използване:

- Изберете подходящия барабан.
- Поставете избрания барабан в предния отвор на контейнера K1, като барабанът трябва да е добре наместен до дъното на контейнера (фиг. 7).
- Включете уреда в мрежата.
- Натиснете един или два пъти бутона за включване/изключване F , за да заключите барабана (фиг. 8),
- Включете уреда, пуснете продуктите във фунията на контейнера K1 (фиг. 9) и ги избутайте с помощта на буталото K2 (фиг. 10).

- За да смените барабана, изчакайте окончателното му спиране, натиснете за 1 секунда бутон G reverse и барабанът ще излезе автоматично (фиг. 11).

ВНИМАНИЕ: Преди да пуснете уреда се уверете, че барабанът е перфектно прилегнал към дъното на контейнера.

Използвайте препоръчаните барабани за различните видове продукти:

	(*) Барабан едро ренде К3а	(*) Барабан за рязане К3б	(*) Барабан фино ренде К3с
Моркови	X	X	
Тиквички	X	X	
Картофи	X	X	
Краставица	X	X	
Чушка	X	X	
Лук		X	
Цвекло		X	
Зеле (бяло/червено)		X	
Ябълки		X	
Черна ряпа	X	X	
Целина	X		
Банан		X	
Пармезан			X
френско сирене Gruyère	X	X	
Шоколад	X		X
Сухар/бишкоти			X
Лешници/орехи/бадеми			X
Кокосов орех			X

(*) в зависимост от модела

Съвети за постигане на добри резултати:

За добър резултат и за да се избегне натрупване на продукти в контейнера, продуктите, които използвате, трябва да бъдат твърди. Не използвайте уреда за настъргване и рязане на прекалено твърди продукти като захар или парчета месо.

Предварително нарязвайте продуктите, за да е по-лесно поставянето им във фунията на контейнера.

ПОЧИСТВАНЕ:

- **Винаги изключвайте уреда от мрежата преди почистване на моторния блок H**
- Никога не мокрете и не потапяйте моторния блок във вода. Почиствайте моторния блок с помощта на влажна кърпа. Подсушавайте го старателно.

1) Приставки на месомелачката

- Освободете главата или приставката за рязане на зеленчуци, като натиснете бутон E.
- Завъртете мелещата глава A надясно и издърпайте към вас, за да я извадите от моторния блок H.
- За да разглобите мелещата глава A, извадете буталото C и поставката B, развийте гайката A5, извадете решетката A4, ножа A3 и винта A2.
- Бъдете внимателни, когато боравите с режещите части.
- Измийте всички части с топла сапунена вода, изплакнете ги и ги подсушете старателно.
- Не слагайте мелещата глава A в миялна машина (тоест корпуса A1, винта A2, гайката A5, ножа A3, и решетките A4).

2) Приставки за рязане на зеленчуци (в зависимост от модела):

- Контейнерът (K1), буталото (K2), барабаните (K3a, K3b, K3c) могат да се почистват в миялна машина в горното отделение, като се използва програма «ECO» или «Леко замърсени».
- Бъдете внимателни, когато боравите с барабаните, тъй като ножчетата им са изключително остри.
- В случай на оцветяване на пластмасовите части на барабаните от продукти като моркови ги изтъркайте с напоена с готварско олио кърпа, след което ги почистете по обичайния начин.

СЪХРАНЕНИЕ:

Решетките, ножа, приставката за центриране на винта, приставките за къббе и колбаси (I1, I2 и J1, J2) могат да се прибират в задната част на уреда (отделение за съхранение на приставките D).

КАКВО ДА ПРАВИМ, АКО УРЕДЪТ НЕ РАБОТИ?

Проверете захранването.

Ако уредът продължава да не работи, се обърнете към някой от оторизирани сервиси на Moulinex (вижте списъка в книгката за сервисно обслужване).

ТРЕТИРАНЕ НА СТАРИ ЕЛЕКТРИЧЕСКИ И ЕЛЕКТРОННИ СЪОРЪЖЕНИЯ

Да участваме в опазването на околната среда!



① Уредът е изработен от различни материали, които могат да бъдат преработени или рециклирани.

➔ Занесете го в център за вторични суровини или, ако няма такъв, в оторизиран сервис, за да бъде рециклиран.

РЕЦЕПТИ

Забележка: За рецепти, изискващи по-висока мощност, времето за ползване на уреда не трябва да надвишава 20 секунди.

Примерна рецепта (с решетка със средни дупки 4,7 mm A4b):

КЪББЕ БИ ЛАБАН (кюфтета от къббе с кисело мляко)

6 порции- Приготвяне: 1 час Охлаждане: 1 час в хладилник

Съставки на тестото за къббе: 600 g месо – 300 g булгур (счукано жито) – сол

Съставки за соса: 1 kg кисело мляко – 1 стрък пресен кориандър – 4 скилидки чесън – 3 супени лъжици царевично нишесте – сол, черен пипер

1. Нарезете място на 4 парчета. Поставете решетката 4,7 mm върху мелещата глава. Смелете месото, като едновременно добавяте булгура. Посолете и оставете каймата на хладно за 1 час.
2. За да оформите кюфтета от къббе: поставете приставката за къббе върху мелещата глава. Разстелете каймата и завийте кюфтето, като залепите краищата му с малко вода.
3. За приготвяне на соса: измийте кориандъра, оставете го да се изцеди върху попивателна хартия и откъснете листата. Обелете чесъна и го счукайте. Запържете чесъна и кориандъра в тиган за около 1–2 минути на слаб огън. Оставете ги настрани.
4. Разбийте киселото мляко и пшениченото нишесте, добавете солта и черния пипер. Изсипете през ситна цедка цялата смес в тенджерата. Оставете сместа да заври и намалете огъня. Наблюдавайте и разбърквайте, за да не се залепи киселото мляко за дъното на тенджерата.
5. Добавете чесъна и кориандъра. Забулете кюфтетата от къббе за около 10 минути.

Вариант: Може да напълните кюфтетата (със смес от лук и кайма, предварително запържени в малко олио с няколко ядки от борова шишарка).

РОЛЦА ОТ МНОГОЛИСТНО ТЕСТО

4 порции – Приготвяне: 40 минути Печене: 35 минути

Съставки: 250 g многолистно тесто – 350 g говеждо месо – 1 глава лук – 2 яйца – червен пипер – канела и джинджирил на прах – магданоз – Кориандър – Див керевиз – Захар – 60 g масло – Зехтин

1. Поставете решетката 4,7 mm върху мелещата глава. Нарезете лука на 8 парчета и го смелете. Загрейте 4 супени лъжици зехтин в тиган и добавете лука. Оставете го да омекне на слаб огън, без да става златист. Оставете го настрани.
2. Смелете говеждото месо. Сложете го да се запържи с лука за 10 минути. Оставете го настрани.
3. Смелете зелените подправки. Прибавете ги в тигана, добавете сол и черен пипер, половин кафена лъжичка червен пипер, щипка джинджирил и една лъжичка канела.
4. Добавете разбитите яйца, разбъркайте и свалете тигана от котлона.
5. Разстелете многолистното тесто. Изрежете квадрати със страна 10 cm. Намажете периферията им с масло.
6. Поставете върху всеки квадрат по една лъжичка от пълнката. След това ги завийте на руло и затворете краищата.

- Изпържете ролцата в силно загрято олио. След като ги изпържите, ги поставете за малко върху попивателна хартия. Поръсете ги със захар и канела. Поднесете ги горещи.

Вариант:

Поставете решетката 4,7 mm върху мелещата глава. Нарезете лука на 8 парчета. Сметете малко от месото, след това сметете лука.

Сметете още малко от месото, после зелените подправки и накрая останалата част от месото. Разбийте яйцата и ги прибавете към плънката с малко сол и черен пипер, половин кафена лъжичка червен пипер, щипка джанджифил и лъжичка канела. Разбъркайте сместа. Следвайте указанията в етапи 5 до 7.

PIROJKI

(малки рибени кюфтета)

4 порции - Приготвяне: 25 минути Печене: 10 - 15 минути

Съставки: 250 g многолистно тесто - 300 g пържена риба или пушена съомга - 2 твърдо сварени яйца - 1 китка копър - 2 глави лук - 100 g солено масло на кубчета - олио

- Установит решетку с отверстиями 4,7 мм в мясорубку. Разрежете лук на 8 частей и пропустите через мясорубку. Припустите на слабом огне в сотейнике в небольшом количестве растительного масла. Оставьте в сторону.
- Нарежете немного рыбы, добавьте затем приготовленный лук, сливочное масло, душистый укроп и оставшуюся рыбу.
- Раскатайте тонким слоем слоёное тесто, вырежьте круги стаканом или бокалом (более или менее большим).
- Предварительно разогрейте духовку до 210 °C (п.6).
- На каждый кружок положите немного фарша, сложите тесто и заклейте края.
- Готовьте в духовке 10 -15 минут.

Кюфтета от говеждо месо

4 порции - Приготвяне 20 минути Печене: 10 - 15 минути

Съставки: 1 kg говеждо месо - 1 глава лук - 1 скилидка чесън - 2 филии черен хляб, наkisнат в мляко - 2 яйца - 1 картоф - брашно - сол, черен пипер

- За тази рецепта изберете парчета говеждо месо с малко мазнина. Сметете месото и филиите хляб.
- Нарежете лука с помощта на барабана за рязане (КЗв) и настържете чесъна и картофа с помощта на барабана едро ренде (КЗа).
- Смесете смяното месо с хляба, нарязания лук, чесъна и картофа.
- Към каймата добавете яйцата, смления черен пипер и солта и оформете кюфтетата.
- Оваляйте кюфтетата в брашно и ги изпържете в олиото.

Пудинг от картофи на фурна

4 порции - Приготвяне 30 минути Печене: 45 минути

Съставки: 1400 g смяно месо - 1 kg картофи - 2 яйца - 2 чаши мляко - 1 скилидка чесън - 1,5 супена лъжица масло - 2 супени лъжици олио - сол, черен пипер

- Почистете, измийте и подсушете картофите. Нарезете ги с помощта на барабана за рязане (КЗв).
- Сметете говеждото месо и запържете каймата в тиган с олиото за 5 минути.
- Натъркайте вътрешността на тава с чесъна и я намажете с част от маслото.
- Наредете на няколко пласта 2/3 от картофите и каймата, посолете, добавете черен пипер и сложете останалите картофи.
- Разбийте яйцата с топлото мляко и изсипете сместа върху картофите. Добавете останалото масло. Опечете във фурната за 45 минути на средна температура.

Огретен с ябълки и бадеми

4 порции - Приготвяне 40 минути Печене: 30 минути

Съставки: 6 ябълки - 60 g рафинирана захар - 50 g масло - 50 g цели бадеми - 200 ml готварска сметана - 1 кафена лъжичка канела

Обелете, почистете от семките и нарежете на четвъртини ябълките. Нарезете ги на ленти с барабана за рязане (КЗв) и ги запържете в 30 g масло. Намажете с масло тавичка и поставете карамелизираните ябълки на дъното. Сметете бадемите на прах с помощта на барабана фино ренде (КЗс). В купа смесете смлените бадеми, сметаната и канелата. Изсипете получената смес върху ябълките и поръсете със захар. Опечете във фурната на 160°C.

OPIS:

- A Demontažna glava mlina za mlevenje
 - A1 Telo od aluminijuma
 - A2 Deo sa navojima
 - A3 Samooštreći nož od nerđajućeg čelika
 - A4 Rešetke
 - A4a Rešetka sa malim otvorima (2,4 mm) (*u zavisnosti od modela*) za vrlo sitno mlevenje
 - A4b Rešetka sa otvorima srednje veličine (4,7 mm) za sitno mlevenje
 - A4c Rešetka sa velikim otvorima (8 mm) za krupno mlevenje
 - A5 Navrtka od aluminijuma
- B Demontažni poklopac
- C Potiskivač za meso
- D Prostor za odlaganje dodataka
- E Taster za otvaranje glave mlina za mlevenje
- F Taster Start / Stop (0-1)
- G Prekidač „Unazad“ (za mlevenje u suprotnom smeru)
- H Blok motora
- I Dodatak za ČEVAPE
 - I1 Završetak zvezdastog dela
 - I2 Prsten
- J Kalup za kobasice (*u zavisnosti od modela*)
 - J1 Deo za centriranje dela sa navojem
 - J2 Kalup
- K Dodatak za seckanje povrća (*u zavisnosti od modela*)
 - K1 Deo za dodatke / cev
 - K2 Potiskivač
 - K3 Dodaci
 - K3a Dodatak za rendanje
 - K3b Dodatak za seckanje
 - K3c Dodatak za rendanje

SAVETI ZA BEZBEDNU UPOTREBU:

- Pažljivo pročitajte uputstvo za upotrebu pre prvog korišćenja aparata: Moulinex ne snosi odgovornost ako je se aparat ne koristi u skladu sa uputstvom za upotrebu i garancija neće važiti.
- Nije predviđeno da aparat koriste hendikepirane osobe (uključujući i decu), kao ni lica bez iskustva i znanja. Mogu ga upotrebljavati samo ako su pod nadzorom osobe odgovorne za njihovu bezbednost.
- Poželjno je nadzirati decu da se ni u kom slučaju ne igraju aparatom.
- Proverite da li napon aparata odgovara naponu u Vašem domaćinstvu. Svaka greška pri uključivanju aparata poništava garanciju.
- Vaš aparat namenjen je isključivo upotrebi u domaćinstvu.
- Koristite aparat na ravnoj, čistoj i suvoj površini.
- Ne dozvolite da duga kosa, šal ili kravata vise iznad delova aparat koji su u pokretu.
- Isključite aparat iz struje čim prestanete da ga koristite, kada ga čistite, pre montiranje i demontiranje dodataka.
- Ne koristite uređaj ako ne funkcioniše ispravno ili ako je oštećen. U tom slučaju, obratite se ovlašćenom servisu Moulinex (pogledajte spisak u garantnom listu).
- Bilo kakvu intervenciju na aparatu, osim čišćenja i uobičajenog održavanja, mora obaviti ovlašćeni Moulinex servis.
- Ako je kabl oštećen, ne koristite uređaj. Kako bi se izbegla bilo kakva opasnost, neka ga zameni ovlašćeni servis

- Moulinex (pogledajte spisak u garantnom listu).
- Ne stavljajte uređaj, kabl za napajanje ili utikač u vodu ili bilo koju drugu tečnost.
- Ne ostavljajte kabl za napajanje deci na dohvata ruke.
- Kabl za napajanje nikada ne sme da bude u blizini uređanih delova ili u kontaktu sa njima, pored izvora toplote ili oštrog ugla.
- Radi sopstvene bezbednosti, koristite samo Moulinex dodatke i rezervne delove koji odgovaraju Vašem aparatu.
- Ne koristite aparat duže od 14 minuta.
- Radi Vaše bezbednosti aparat je napravljen u skladu sa važećim standardima i propisima:
 - Direktiva o niskom naponu
 - Elektromagnetna kompatibilnost
 - Zaštita životne sredine
 - Materijali koji dolaze u kontakt sa namirnicama.

PRE PRVOG KORIŠĆENJA:

Operite sve dodatke vodom i deterđžentom. Isperite ih i dobro obrišite.

Rešetka i nož moraju da ostanu masni. Premažite ih uljem.

Nemojte koristiti aparat na prazno ako rešetke nisu podmazane.

PAŽNJA: Sečiva dodataka su izuzetno oštra, rukujte dodacima oprezno i uvek ih hvatajte za plastični deo.

PUŠTANJE U RAD:

GLAVA MLINA ZA MLEVENJE (A):

Montiranje glave mlina za mlevenje (sheme 1.1 i 1.2)

Uhvatite telo **A1** za cev postavljajući najširi otvor prema gore. Ubacite potom deo sa navojem **A2** (prvo duža osovina) u telo **A1**.

Nakačite nož od inoksa **A3** na kratku osovinu koja prelazi deo sa navojem **A2** postavljajući ivice za sečenje prema spolja. Postavite rešetku koju želite na nož **A3**, vodeći računa da zarezi dela koji se usađuje odgovaraju usadnom delu tela **A1**.

Zavrnite do kraja (bez blokiranja) navrtku **A5**.

Postavljanje glave mašine za mlevenje na uređaj (shema 2):

- Naspram isključenog bloka motora **H**, postavite glavu mlina za mlevenje tako da je cev nagnuta u desno. Neka se 2 odgovarajuća dela glave mlina za mlevenje poklope sa 2 zareza na bloku motora.

Gurnite do kraja glavu mlina za mlevenje u blok motora **H** i povucite zatim cev ulevo dok se ne aktivira mehanizam za fiksiranje (cev je onda u vertikalnom položaju).

- Postavite demontažni poklopac **B** u odgovarajuće useke cevi glave mlina za mlevenje.

Uključite aparat, spreman je za korišćenje.

Upotreba:

Pripremite celu količinu namirnica koje ćete seckati, uklonite kosti, delove hrskavice i žilice.

Isecite meso na komade (otprilike 2cm X 2cm).

Stavite posudu ispod glave mlina za mlevenje.

Pritisnite položaj „I“ tastera start/stop **F** kako bi aparat počeo sa radom.

Stavite komade mesa na poklopac **B** i pustite ih da klize jedan po jedan u cev koristeći potiskivač **C**.

Nikada ne potiskujte namirnice u cev aparata prstima ili nekim predmetom.

Da biste dobili odgovarajuću masu za pripremu čevapa ili čufti, sameljite meso 2 do 3 puta u glavi mašine za mlevenje dok masa ne postane onakva kakvu želite.

Trik:

Na kraju postupka, možete staviti nekoliko komadića hleba kako bi izašli svi ostaci mase koju ste samleli.

Šta uraditi ako se namirnica zaglavi? (shema 3)

Zaustavite mlin za mlevenje pritiskom na položaj „0“ tastera start/stop **F**.

Pritisnite zatim nekoliko sekundi prekidač „Unazad“ **G** kako biste izbacili namirnice.

Pritisnite položaj „I“ tastera start/stop **F** kako biste nastavili mlevenje.

Važno: sačekajte da se aparat u potpunosti zaustavi pre nego što pokrenete komandu „Start“ **F** ili komandu „Unazad“ **G**.

DODATAK ZA ČEVAPE (I)

Montiranje (shema 4):

Stavite deo sa navojem **A2** u telo **A1** glave mlina za mlevenje. Postavite završetak zvezdastog dela **I1** tako da zarezi odgovaraju usecima tela **A1**.

Postavite prsten **I2** na završetak zvezdastog dela, a potom zavrnite navrtku **A5** do kraja.

Postavite tako montiranu glavu na blok motora kao što je i naznačeno na **shemi 4**.

Napomena: ovaj dodatak se koristi bez rešetke i bez noža.

DODATAK ZA KOBASICE (J) (u zavisnosti od modela)

Ovaj dodatak koji se postavlja na glavu mlina za mlevenje Vam omogućava da pravite sve vrste kobasica po svom ukusu.

Montiranje (shema 5)

Stavite deo sa navojem **A2** u telo **A1** glave mlina za mlevenje. Postavite deo za centriranje dela sa navojem **J1** tako da zarezi odgovaraju usecima tela **A1**. Zatim stavite kalup **J2** potom navrtku **A5** i zavrnite do kraja. Stavite tako montiranu glavu mlina za mlevenje na blok motora onako kako je to i naznačeno na **shemi 5**.

Napomena: ovaj dodatak se koristi bez rešetke i bez noža. Deo za centriranje dela sa navojem omogućava da deo sa navojem ostane u datom položaju tokom pripreme po receptu.

Upotreba:

Važno: ovaj dodatak se koristi tek pošto ste samleli meso, dodali začine i sve dobro izmešali.

Pošto ste ostavili crevo da se natopi u mlakoj vodi kako bi ponovo bilo elastično, navucite ga na kalup **J2** i ostavite otprilike nekih 5 cm.

Napunite pripremljenom smesom cev tela **A1** glave mlina za mlevenje **A**, pustite u rad i koristite potiskivač **C** kako biste masu gurnuli do kraja kalupa.

Zaustavite aparat.

Napravite čvor od 5 cm creva koje ste ostavili. Ponovo gurnite čvor do kraja kalupa kako biste izbegli sakupljanje vazduha u crevu.

Pustite ponovo u rad i nastavite da dodajete mlevenu masu. Kontrolišite kako se crevo puni. Kako biste izbegli da se crevo previše razvuče, nemojte da pravite suviše duge kobasice.

Napomena: ovo se radi lakše u dvoje, jedna osoba može da puni mlevenim masom a druga da drži crevo koje se puni.

Postići ćete željenu dužinu kobasica ako pritiskate i okrećete crevo od jednog do drugog mesta.

Da biste dobili kvalitetnu kobasicu, vodite računa da izbegnete sakupljanje vazduha tokom punjenja i napravite kobasice od 10 do 15 cm (razdvojite kobasice vezujući ih i praveći čvor).

ZA SEČENJE POVRĆA (K) (u zavisnosti od modela)

Montiranje (shema 6):




Naspram isključenog bloka motora, stavite deo **K1** nagnut u desno, postavite ga tako da se njegovi odgovarajući delovi poklope sa otvorima bloka motora **H**. Postavite preostali duži deo **K1** u osovinu bloka motora **H**. Povucite deo **K1** u levo do mehanizma za fiksiranje.

Upotreba:

- Izaberite dodatak koji odgovara željenoj upotrebi.
- Stavite izabrani dodatak u otvor na prednjem delu **K1**, dodatak mora biti ispravno postavljen do kraja dela koji služi za povlačenje (**slika 7**).
- Uključite uređaj.
- Pritisnite jednom ili dva puta na taster start/stop **F** kako biste blokirali dodatak (**slika 8**),
- Pustite u rad a zatim ubacite namirnice kroz cev dela **K1** (**slika 9**) i gurnite namirnice pomoću potiskivača **K2** (**slika 10**).
- Da biste promenili dodatak, sačekajte da se on potpuno zaustavi, pritisnite jednu sekundu na prekidač **G unazad**, vaš dodatak će automatski ispasti (**slika 11**).

PAŽNJA: Pre puštanja uređaja u rad, uverite se da je dodatak pravilno postavljen na deo koji ga vuče.

Koristite dodatak koji odgovara tipu namirnice:

	(*) Dod. za rendisanje K3a 	(*) Dod. /seckanje K3b 	(*) Dod. za struganje K3c 
Šargarepa	X	X	
Tikvice	X	X	
Krompir	X	X	
Krastavac	X	X	
Paprika	X	X	
Luk		X	
Cvekla		X	
Kupus (beli/crveni)		X	
Jabuke		X	
Crna rotkva	X	X	
Celer	X		
Banana		X	
Parmezan			X
Grijer	X	X	
Čokolada	X		X
Suvi hleb/dvopek			X
Lešnik/orah/bademi			X
Kokosov orah			X

(*) prema modelu

Saveti za postizanje dobrih rezultata:

Sastojci koje koristite moraju da budu tvrdi kako biste postigli zadovoljavajuće rezultate i izbegli svako nagomilavanje namirnica u delu za mlvenje. Nemojte da koristite uređaj za rendisanje ili sečenje suviše tvrdih namirnica, kao što su šećer ili komadići mesa.

Isecite namirnice kako biste ih lakše ubacili u cev dela za mlvenje.

ČIŠĆENJE:

- **Isključite uvek uređaj pre čišćenja bloka motora H.**
- Nemojte potapati blok motora, nemojte ga stavljati pod vodu. Čistite blok motora pomoću vlažne krpe. Sušite ga pažljivo.

1) Dodaci mlina za mlvenje mesa:

- Skinite glavu ili dodatak za sečenje povrća pritiskom na dugme E.
- Okrenite glavu mlina za mlvenje A u desno i povucite prema sebi kako biste je odvojili od bloka motora H.
- Da biste demontirali glavu mlina za mlvenje mesa A, skinite potiskivač C i poklopac B, odvrnite navrtku A5, povucite rešetku A4, nož A3 i deo sa navojem A2.

- Rukujte delovima za sečenje oprezno.

- Operite sve delove toplom vodom i deterdžentom, isperite i obrišite pažljivo.
- Ne stavljajte glavu mlina za mlvenje A u mašinu za pranje sudova (to jest telo A1, deo sa navojem A2, navrtku A5, nož A3, i rešetke A4).

2) Dodaci za sečenje povrća (u zavisnosti od modela):

- Deo (K1), potiskivač (K2), dodaci (K3a, K3b, K3c) mogu da idu u mašinu za sudove u korpu na vrhu uz korišćenje programa „ECO“ ili „NE MNOGO PRLJAVO“.
- **Rukujte dodacima oprezno, jer su sečiva dodataka izuzetno oštra.**
- U slučaju da namirnice, kao što je na primer šargarepa, oboje plastične delove, istrljajte ih krpom natopljenom jestivim uljem, a zatim ih očistite na uobičajeni način.

AKO VAŠ UREĐAJ NE RADI, ŠTA DA RADITE?

Proverite da li je uključen u struju.

Vaš uređaj još uvek ne radi, obratite se ovlašćenom Moulinex servisu.
(pogledajte spisak u garantnom listu).

ELEKTRIČNI ILI ELEKTRONSKI UREĐAJI KOJIMA JE ISTEKAO ROK TRAJANJA

Učestvujmo u zaštiti životne sredine!



- ① Vaš uređaj sadrži mnogobrojne korisne materijale koji se mogu reciklirati.
- ➡ Odnosite ga u centar koji se bavi recikliranjem takvih proizvoda, ili u ovlašćeni servis.

RECEPTI

Napomena: Za recepte koji zahtevaju veću snagu, vreme korišćenja uređaja ne sme da pređe 20 s.
Primer recepta (sa rešetkom sa otvorima srednje veličine 4,7 mm A4b):

ČEVAPI „BI LABAN“ (čevapi sa jogurtom)

6 osoba - Priprema: 1 sat Treba da odstojte 1 sat u frižideru

Sastojci za smesu za čevape: 600 g mesa - 300 g bulgura (lomljene pšenice) - so

Sastojci za sos: 1 kg jogurta - 1 vezica korijandera - 4 čena belog luka - 3 kašike supe od kukuruznog skroba - so, biber

1. Isecite meso na 4 dela, postavite rešetku 4,7 mm na mašinu za mlevenje. Sameljite meso dodajući bulgur. Posolite i ostavite masu na hladnom mestu da odstoji 1 sat.
2. Da biste oblikovali mesne kuglice: stavite dodatak za čevape na mašinu za mlevenje. Ponovo sameljite masu i zatvorite krajeve kuglica vlažnim prstima.
3. Priprema sosa: operite vezicu korijandera, stavite ga u kuhinjski ubrus i odvojite listiće. Očistite i izgnječite beli luk i kratko ga propržite sa korijanderom u tiganju 1 do 2 minuta na blagoj vatri. Sklonite na stranu.
4. Umutite jogurt i kukuruzni skrob, zatim posolite i dodajte biber. Procedite smesu i sipajte u šerpu. Pustite da proključa a zatim smanjite vatru. Sve vreme mešajte da se jogurt ne bi zgrušao.
5. Dodajte beli luk i korijander. Poširajte kuglice čevapa 10 minuta.

Varijanta: Kuglice možete i puniti (mešavinom crnog luka i mlevenog mesa, prethodno proprženom u malo ulja i sa nekoliko pinjola).

ROLNICE

4 osobe - Priprema: 40 min. Vreme pečenja: 35 min.

Sastojci: 250 g lisnatog testa - 350 g junećeg mesa - 1 crni luk - 2 jaja - aleva paprika - cimet i đumbir u prahu - peršun - korijander - krasuljica - šećer - 60 g putera - maslinovo ulje

1. Postavite rešetku od 4,7 mm na mašinu za mlevenje. Isecite luk na 8 delova i potom ga stavite u mašinu za mlevenje. Ugrejte 4 supene kašike maslinovog ulja u dubljem tiganju, zatim dodajte luk. Pustite ga da omekša na blagoj vatri a da ne potamni. Sklonite sa strane.
2. Sameljite juneće meso i pržite ga sa lukom 10 minuta da malo potamni. Sklonite.
3. Sameljite začine u mašini za mlevenje, a zatim ih dodajte u dublji tiganj, dodajte so i biber, pola kašičice aleva paprike, prstohvat đumbira i kašičicu cimeta.
4. Sjedinite sa umućenim jajima, mešajte, a zatim prekinite prženje.
5. Razvucite lisnato testo vrlo tanko. Isecite kvadrate 10x 10 cm , namažite ivice puterom.
6. Na svaki kvadrat stavite kašičicu fila. Uvijte ih u rolnice i pritisnite na krajevima.
7. Pržite rolnice u vrelom ulju. Kada su ispržene ostavite ih na kuhinjskom papiru nekoliko trenutaka. Pospite šećerom i cimetom. Poslužite toplo.

Varijanta:

Postavite rešetku 4,7 mm na mašinu za mlevenje. Isecite crni luk na 8 delova. Sameljite malo mesa, sameljite luk u mašini.

Dodajte malo mesa, zatim začine i najzad ostatak mesa. Umutite jaja i dodajte ih filu, posolite i pobiberite, sipajte pola kašičice aleve paprike, prstohvat đumbira i kašičicu cimeta. Izmešajte masu. Ponovite korake 5 do 7.

PIROŠKE (riblje paštetice)

4 osobe - Priprema: 25 min. Vreme pečenja: 10 - 15 min.

Sastojci: 250 g lisnatog testa - 300 g pečene ribe ili dimljenog lososa - 2 kuvana jaja - 1 vezica mirođije - 2 glavice crnog luka - 100 g slanog putera, u kockicama - ulje

1. Postavite rešetku 4,7 mm na mašinu za mlevenje. Isecite crni luk na 8 delova, sameljite luk u mašini. Propržite na blagoj vatri u dubljem tiganju sa malo ulja. Sklonite.
2. Sameljite malo ribe, dodajte proprženi crni luk, puter, mirođiju i na kraju sameljite ostatak ribe.
3. Razvucite tanak sloj lisnatog testa, čašom ili činijicom izvadite krugove (manje ili veće).
4. Zagrejte rernu na 210 °C (6).
5. Stavite malo fila na svaki krug i savijte testo pritisnuvši ivice.
6. Peći u rerni 10 do 15 minuta da porumene.

Kuglice od junećeg mesa

4 osobe - Priprema 20 min. Vreme pečenja: 10 - 15 min.

Sastojci: 1 kg junećeg mesa - 1 glavica crnog luka - 1 čen belog luka - 2 kriške crnog hleba umočenog u mleko - 2 jaja - 1 krompir - brašno - So, biber

1. Za ovaj recept odaberite komade nemasnog junećeg mesa. Sameljite meso u mašini za mlevenje sa kriškama hleba.
2. Isecakajte crni luk pomoću dodatka za seckanje (K3b) i izrendajte krompir pomoću dodatka za rendanje (K3a).
3. Sjedinite mleveno meso, hleb, iseckani luk i krompir.
4. Dodajte jaja u masu, crni mleveni biber i so i oblikujte kuglice.
5. Uvaljajte kuglice u brašno i pržite ih na ulju.

Puding od krompira pripremljen u rerni

4 osobe - Priprema 30 min. Vreme pečenja: 45 min.

Sastojci: 400 g mlevenog mesa - 1 kg krompira - 2 jaja - 2 čaše mleka - 1 čen belog luka - 1, 5 supena kašika putera - 2 supene kašike ulja - so, biber

1. Očistite, operite i osušite krompir. Isecite ga pomoću dodatka za seckanje (K3b).
2. Sameljite juneće meso u mašini za mlevenje i pržite mleveno meso u tiganju na ulju 5 minuta.
3. Protrljajte belim lukom unutrašnjost posude i podmažite ga sa malo putera.
4. Ređajte u nekoliko slojeva 2/3 krompira i mleveno meso, posolite, pobiberite, a potom dodajte ostatak krompira.
5. Umutite jaja sa toplim mlekom i time prelijte krompir. Dodajte ostatak putera. Pecite u rerni 45 minuta na umerenoj temperaturi.

Gratinirane jabuke sa bademima

4 osobe - Priprema 40 min. Vreme pečenja: 30 min.

Sastojci: 6 jabuka - 60 g smeđeg šećera - 50 g putera - 50 g celih badema - 20 cl pavlake - 1 kafena kašičica cimeta

Oljuštite, očistite od semenki i isecite jabuke na četvrtine. Isecite u listove pomoću dodatka za seckanje (K3b) i propržite sa 30 g putera. Gratinirano jelo premažite komadićem putera i rasporedite karamelisane jabuke na dno. Izmrvite bademe pomoću dodatka za struganje (K3c). Izmešajte izmravljeni badem, pavlaku i cimet u činiji za salatu. Preljite jabuke ovom masom i pospite smeđim šećerom. Pecite jelo na 160°C.

OPIS:

- A Pokretna glava stroja za mljevenje
 - A1 Kućište od aluminija
 - A2 Dio s navojima
 - A3 Samooštreći nož od inoxa
 - A4 Rešetke
 - A4a Rešetka s malim otvorima (2,4 mm) (*ovisno o modelu*)
vrlo sitno mljevenje
 - A4b Rešetka s otvorima srednje veličine (4,7 mm)
sitno mljevenje
 - A4c Rešetka s velikim otvorima (8 mm)
krupno mljevenje
 - A5 Navrtka od aluminija
- B Odvojiva plitica
- C Potiskivač za meso
- D Spremnik za odlaganje dodataka
- E Tipka za otvaranje glave stroja za mljevenje
- F Prekidač za uključivanje/isključivanje / Stop (0–1)
- G Prekidač za funkciju povrata (za trenutačnu promjenu smjera kretanja)
- H Blok motora
- I Nastavak za kibbeh
 - I1 Nastavak prstena
 - I2 Prsten
- J Nastavak za kobasice (*ovisno o modelu*)
 - J1 Dio za centriranje dijela s navojem
 - J2 Kalup
- K Nastavak za sjeckanje povrća (*ovisno o modelu*)
 - K1 Dio za nastavke / cijev
 - K2 Potiskivač
 - K3 Nastavci
 - K3a Nastavak za ribanje
 - K3b Nastavak za sjeckanje
 - K3c Nastavak za usitnjavanje

SAVJETI ZA SIGURNU UPORABU:

- Pažljivo pročitajte upute za uporabu prije prve uporabe aparata: Uređaj je namijenjen isključivo za kućnu uporabu. Svaka profesionalna, neprimjerena ili uporaba koja nije u skladu s uputama za uporabu oslobađa proizvođača svake odgovornosti i jamstvo prestaje biti važeće.
- Ovaj uređaj nije namijenjen za uporabu od strane osoba (uključujući djecu) s ograničenim fizičkim, osjetilnim ili psihičkim sposobnostima, ili nedovoljnim iskustvom ili znanjem osim ako su pod nadzorom ili dobivaju upute glede rada od osobe odgovorne za njihovu sigurnost.
- Djeca trebaju biti nadzirana kako bi se osiguralo da se ne igraju s ovim uređajem.
- Provjerite da li napon na kojem radi vaš uređaj odgovara vašem električnom napajanju. **Svaka greška pri priključivanju uređaja poništava jamstvo.**
- **Vaš uređaj je namijenjen isključivo za uporabu u kuhinji u kućanstvu, u kući i pod nadzorom.**
- **Rabite uređaj na ravnoj, čistoj i suhoj površini.**
- Nikada ne dopustite da duga kosa, šal ili kravata vise iznad nastavaka koji su u pokretu.
- Isključite uređaj iz struje čim prestanete s uporabom, kada ga čistite ili tijekom stavljanja ili skidanja dodataka.
- Ne rabite uređaj ako ne radi ispravno ili ako je oštećen. U tom slučaju, obratite se ovlaštenom servisu Moulinex (vidi popis u jamstvenom listu).

- Bilo kakvu intervenciju, osim čišćenja i uobičajenog održavanja, od strane klijenta mora obaviti ovlašteni servis Moulinex.
- Ako je oštećen priključni vod, ne rabite uređaj. Kako bi se izbjegla bilo kakva opasnost, neka ga zamijeni ovlašteni servis Moulinex (vidi popis u jamstvenom listu).
- Ne stavljajte uređaj, priključni vod ili utikač u vodu ili bilo koju drugu tekućinu.
- Ne ostavljajte priključni vod na dohvata djece.
- Priključni vod nikada ne smije biti u blizini vrućih dijelova ili u doticaju s njima, pored izvora topline ili oštrih rubova.
- Radi osobne sigurnosti, rabite samo Moulinex nastavke i rezervne dijelove koji odgovaraju vašem uređaju.
- Ne rabite ovaj uređaj duže od 14 minuta.
- Radi vaše sigurnosti, ovaj uređaj je sukladan važećim normama i propisima:
 - Direktiva o niskom naponu
 - Elektromagnetska kompatibilnost
 - Zaštita okoliša
 - Materijali koji dolaze u doticaj s namirnicama.

PRIJE PRVE UPORABE:

Operite sve nastavke vodom i sapunom. Isperite i odmah ih pažljivo obrišite.

Rešetka i nož moraju ostati masni. Premažite ih uljem.

Nemojte okretati ovaj uređaj na prazno ako rešetke nisu podmazane.

POZOR: Noževi nastavaka su izuzetno oštri, rukujte nastavcima uz oprez i uvijek ih hvatajte za plastični dio.

PUŠTANJE U POGON:

GLAVA STROJA ZA MLJEVENJE (A):

Sklapanje glave stroja za mljevenje (shema 1.1 i 1.2)

Uхватite kućište **A1** za cijev postavljajući najširi otvor prema gore. Ubacite potom dio s navojem **A2** (prvo duža osovinu) u kućište **A1**.

Zakačite nož od inoxa **A3** na kratku osovinu koja prelazi dio s navojem **A2** postavljajući rubove za rezanje prema vani. Postavite rešetku koju želite na nož **A3**, vodeći računa da zarezi dijela koji se postavlja odgovaraju nasadnom dijelu kućišta **A1**.

Zavrnite vijak **A5** (bez blokiranja) do kraja.

Postavljanje glave stroja za mljevenje na uređaj (shema 2):

Nasuprot isključenog bloka motora **H**, postavite glavu stroja za mljevenje tako da je cijev nagnuta na desnu stranu. Neka se 2 odgovarajuća dijela glave stroja za mljevenje poklope s 2 zarezna na bloku motora.

Gurnite do kraja glavu stroja za mljevenje u blok motora **H** i povucite zatim cijev na lijevo dok se ne aktivira mehanizam za fiksiranje (cijev je onda u okomitom položaju).

Postavite odvojivu pliticu **B** u odgovarajuće usjeke cijevi glave stroja za mljevenje.

Uključite uređaj, spreman je za uporabu.

Uporaba:

Pripremite cijelu količinu namirnica koje ćete sjeckati, uklonite kosti, dijelove hrskavice i žilice.

Izrežite meso na komade (otprilike 2cm X 2cm).

Stavite posudu ispod glave stroja za mljevenje.

Postavite prekidač za uključivanje/isključivanje u položaj "I" **F** kako bi uređaj počeo s radom.

Stavite komade mesa na odvojivu pliticu **B** i pustite ih da skliznu jedan po jedan u otvor gurajući ih potiskivačem **C**.

Ne gurajte namirnice nikada prstima ili bilo kojim drugim posuđem u otvor.

Da bi dobili odgovarajuću smjesu za pripremu čevapa ili čufti, sameljite meso 2 do 3 puta u glavi stroja za mljevenje dok smjesa ne postane onakva kakvu želite.

Trik:

Na kraju postupka, možete staviti nekoliko komadića kruha kako bi izašli svi ostaci smjese koju ste samljeli.

Što uraditi ako se namirnica zaglavi ? (shema 3)

Zaustavite stroj za mljevenje postavljanjem prekidača za uključivanje/isključivanje u položaj "0" **F**.

Držite pritisnutim nekoliko sekundi prekidač za povratnu funkciju **G** kako bi izbacili namirnice.

Postavite prekidač za uključivanje/isključivanje u položaj "I" **F** kako bi nastavili mljevenje.

Važno: sačekajte da se stroj u potpunosti zaustavi prije nego li pokrenete uređaj postavljanjem prekidača u položaj "I" F ili pokretanjem funkcije povrata.

NASTAVAK ZA KIBBEH (I)

Sastavljanje (shema 4):

Stavite dio s navojem **A2** u kućište **A1** glave stroja za mljevenje. Postavite nastavak prstena **I1** tako da zarez odgovaraju usjecima kućišta **A1**.

Postavite prsten **I2** na završetak nastavka prstena, a potom zavrnite vijak **A5** do kraja.

Postavite tako montiranu glavu na blok motora kao što je i naznačeno na **shemi 4**.

Napomena: ovaj nastavak se koristi bez rešetke i bez noža.

NASTAVAK ZA KOBASICE (J) (ovisno o modelu)

Ovaj nastavak koji se postavlja na glavu stroja za mljevenje omogućava vam da pravite sve vrste kobasica koje možete začiniti prema svom ukusu.

Sastavljanje (shema 5)

Stavite dio s navojem **A2** u kućište **A1** glave stroja za mljevenje. Postavite dio za centriranje dijela s navojem **J1** tako da zarez odgovaraju usjecima kućišta **A1**. Zatim stavite kalup **J2** potom vijak **A5** i zavrnite do kraja. Stavite tako montiranu glavu stroja za mljevenje na blok motora onako kako je to i obilježeno na **shemi 5**.

Napomena: ovaj nastavak se rabi bez rešetke i bez noža. Dio za centriranje dijela s navojem omogućava dijelu s navojem da ostane u danom položaju tijekom pripreme po receptu.

Uporaba:

Važno: ovaj nastavak se rabi tek pošto sameljete meso, dodate začine i sve dobro izmiješate.

Pošto ste ostavili crijevo da se natopi u mlakoj vodi kako bi ponovo bilo savitljivo, navucite ga na kalup **J2** i ostavite izvan kalupa crijevo u dužini nekih 5 cm.

Napunite smjesom otvor **A1** glave stroja za mljevenje **A**, pustite u pogon i gurnite smjesu potiskivačem **C** do kraja kalupa.

Zaustavite uređaj.

Napravite čvor s onih 5 cm crijeva koje ste ostavili. Ponovo gurnite čvor do kraja kalupa kako bi izbjegli sakupljanje zraka u crijevu.

Pustite ponovo u pogon i nastavite dodavati mljevenu smjesu. Kontrolirajte kako se crijevo puni. Kako bi izbjegli pretjerano rastezanje crijeva, nemojte praviti prevelike kobasice.

NAPOMENA: ovo se radi lakše u dvoje, jedna osoba može puniti mljevenom smjesom, a druga držati crijevo koje se puni.

Postići ćete željenu dužinu kobasica pritiskanjem i okretanjem crijeva od jednog mjesta do drugog.

Da bi dobili kvalitetnu kobasicu, vodite računa da izbjegnute nakupljanje zraka tokom punjenja i napravite kobasice od 10 do 15 cm (razdvojite kobasice vezujući ih i praveći pomoću njih čvor).

NASTAVAK ZA REZANJE POVRĆA (K) (ovisno o modelu)

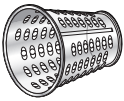
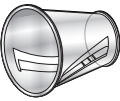

Sklapanje (shema 6):

Nasuprot isključenog bloka motora, stavite dio **K1** nagnut u desnu stranu, postavite ga tako da se njegovi odgovarajući dijelovi poklope s otvorima bloka motora **H**. Postavite preostali duži dio **K1** u osovinu bloka motora **H**. Povucite dio **K1** na lijevu stranu do mehanizma za fiksiranje.

Uporaba:

- Izaberite nastavak koji odgovara željenoj uporabi.
- Stavite izabrani nastavak u otvor na prednjem dijelu **K1**, nastavak mora biti ispravno postavljen do kraja dijela koji služi za povlačenje (slika 7).
- Uključite uređaj.
- Pritisnite jednom ili dva puta prekidač za uključivanje/isključivanje **F** kako bi zaključali nastavak (slika 8),
- Pustite u pogon, a zatim ubacite namirnice kroz otvor dijela **K1** (slika 9) i gurnite namirnice pomoću potiskivača **K2** (slika 10).
- Da bi promijenili nastavak, sačekajte da se on potpuno zaustavi, pritisnite jednu sekundu na prekidač **G** za funkciju povrata, vaš nastavak će automatski ispasti (slika 11).

POZOR: Prije puštanja uređaja u pogon, uvjerite se da li je nastavak pravilno postavljen. Rabite nastavak koji odgovara tipu namirnice:

	(*) Nastavak za ribanje K3a 	(*) Nastavak za sjeckanje K3b 	(*) Nastavak za usitnjavanje K3c 
Mrkva	X	X	
Tikvice	X	X	
Krumpir	X	X	
Krastavac	X	X	
Paprika	X	X	
Luk		X	
Cikla		X	
Kupus (bijeli/crveni)		X	
Jabuke		X	
Crna rotkva	X	X	
Celer	X		
Banana		X	
Parmezan			X
Grijer	X	X	
Čokolada	X		X
Suhi kruh/dvopek			X
Lješnjaci/orasi/bademi			X
Kokosov orah			X

(*) *ovisno o modelu*

Savjeti za postizanje dobrih rezultata:

Sastojci koje rabite moraju biti tvrdi kako bi postigli zadovoljavajuće rezultate i izbjegli svako nagomilavanje namirnica u dijelu za mljevenje. Nemojte rabiti uređaj za ribanje ili rezanje suviše tvrdih namirnica, kao što su šećer ili komadi mesa.

Izrežite namirnice kako bi ih lakše ubacili u otvor stroja za mljevenje.

ČIŠĆENJE:

- Uvijek isključite uređaj prije čišćenja bloka motora H.
- Nemojte uranjati blok motora, nemojte ga stavljati pod vodu. Čistite blok motora pomoću vlažne krpe. Sušite ga pazorno.

1) Nastavci stroja za mljevenje mesa:

- Otkočite glavu ili nastavak za rezanje povrća pritiskom na tipku E.
- Okrenite glavu stroja za mljevenje A na desnu stranu i povucite prema sebi da je odvojite od bloka motora H.
- Da bi rasklopili glavu stroja za mljevenje mesa A, skinite potiskivač C i pliticu B, odvrnite vijak A5, povucite rešetku A4, nož A3 i dio s navojem A2.
- Rukujte dijelovima za rezanje oprezno.
- Operite sve dijelove toplom vodom i sapunicom, isperite i pazorno obrišite.
- Ne stavljajte glavu stroja za mljevenje A u stroj za pranje suđa (to jest kućište A1, dio s navojem A2, vijak A5, nož A3, li rešetke A4).

2) Nastavak za rezanje povrća (ovisno o modelu):

- Dio (K1), potiskivač (K2), nastavci (K3a, K3b, K3c) mogu se staviti u perilicu u košaru na vrhu uz uporabu programa „ECO“ ili „MALO PRLJAVO“.
- **Oprezno rukujte dodacima jer su noževi nastavaka iznimno oštri.**
- U slučaju da namirnice, kao što je na primjer mrkva, oboje plastične dijelove, istrljajte ih krpom natopljenom jestivim uljem, a zatim ih očistite na uobičajeni način.

ODLAGANJE:

Rešetke, nož, dio za centriranje, nastavci za kibbeh i kobasice (I1, I2 i J1, J2) mogu se odložiti u stražnji dio uređaja (spremnik za pohranu D).

AKO VAŠ UREĐAJ NE RADI, ŠTO UČINITI

Provjerite da li je priključen u struju.

Vaš uređaj još uvijek ne radi, obratite se ovlaštenom Moulinex servisu.
(vidi popis u jamstvenom listu).

ELEKTRIČNI ILI ELEKTRONSKI UREĐAJI KOJIMA JE ISTEKAO ROK TRAJANJA

Sudjelujmo u zaštiti okoliša!



- ① Vaš uređaj se sastoji od brojnih vrijednih materijala koji se mogu reciklirati i ponovno uporabiti.
- ➡ Odnosite uređaj na mjesto predviđeno za odlaganje sličnog otpada.

RECEPTI

Napomena: Za recepte koji zahtijevaju veću snagu, vrijeme uporabe uređaja ne smije preći 20 s.
Primjer recepta (s rešetkom s otvorima srednje veličine 4,7 mm A4b):

ČEVAPI „BI LABAN“ (čevapi s jogurtom)

6 osoba - Priprema: 1 sat Trebaju stajati u hladnjaku 1 sat

Sastojci za smjesu za čevape: 600 g mesa - 300 g bulgura (lomljene pšenice) - sol

Sastojci za umak: 1 kg jogurta - 1 vezica korijandra - 4 češnja češnjaka - 3 žlice juhe od kukuruznog škroba - sol, papar

1. Izrežite meso na 4 dijela, postavite rešetku 4,7 mm na stroj za mljevenje. Sameljite meso dodajući bulgur. Posolite i ostavite smjesu na hladnom mjestu da stoji 1 sat.
2. Da bi oblikovali kuglice od mesa: stavite nastavak za čevape na stroj za mljevenje. Ponovo sameljite smjesu i zatvorite krajeve kuglica vlažnim prstima.
3. Priprema umaka: operite vezicu korijandra, stavite ga u papir za upijanje i odvojite listiće. Očistite i izgnječite češnjak i kratko ga ispržite s korijandrom u tavi 1 do 2 minute na slaboj vatri. Sklonite s strane.
4. Umotite jogurt i kukuruzni škrob, potom posolite i dodajte papar. Sipajte smjesu u posudu kroz sitno sito. Pustite da smjesa prokuha, a zatim smanjite vatru. Sve vrijeme miješajte da se jogurt ne bi zgrušao.
5. Dodajte češnjak i korijandar. Poširajte kuglice čevapa 10 minuta.

Varijanta: Kuglice možete i puniti (mješavinom crvenog luka i mljevenog mesa, prethodno isprženom na malo ulja i s nekoliko pinjola).

Rolnice

4 osobe - Priprema: 40 min. Vrijeme pečenja: 35 min.

Sastojci: 250 g lisnatog tijesta - 350 g junećeg mesa - 1 crveni luk - 2 jaja - crvena paprika - cimet i đumbir u prahu - peršin - korijandar - krasuljica - šećer - 60 g maslaca - maslinovo ulje

1. Postavite rešetku od 4,7 mm na stroj za mljevenje. Izrežite luk na 8 dijelova i zatim ga stavite u stroj za mljevenje. Ugrijte 4 velike žlice maslinovog ulja u dubljoj tavi, zatim dodajte luk. Pustite ga da omečka na slaboj vatri, a da ne potamni. Sklonite s strane.
2. Sameljite juneće meso i pržite ga s lukom 10 minuta da malo potamni. Sklonite.
3. Sameljite začine u stroju za mljevenje, a zatim ih dodajte u dublju tavu, dodajte sol i papar, pola male žlice mljevene paprike, prstohvat đumbira i žličicu cimeta.
4. Spojite s umućenim jajima, miješajte, a zatim prekinite prženje.
5. Razvucite lisnato tijesto vrlo tanko. Izrežite kvadrate 10 x 10 cm, namažite rubove maslacem.
6. Na svaki kvadrat stavite žličicu fila. Uvijte ih u rolnice i pritisnite na krajevima.
7. Pržite rolnice u vrućem ulju. Kada su ispržene, ostavite ih na papiru za upijanje nekoliko trenutaka. Pospite šećerom i cimetom. Poslužite toplo.

Varijanta:

Postavite rešetku 4,7 mm na stroj za mljevenje. Izrežite crveni luk na 8 dijelova. Sameljite malo mesa, sameljite luk u mašini.

Dodajte malo mesa, zatim začine i na kraju ostatak mesa. Umutite jaja i dodajte u smjesu, posolite i zapaprite, sipajte pola male žlice mljevene paprike, prstohvat đumbira i malu žlicu cimeta. Izmiješajte smjesu. Ponovite korake 5 do 7.

Piroške s ribljom paštetom

4 osobe - Priprema: 25 min. Vrijeme pečenja: 10 - 15 min.

Sastojci: 250 g lisnatog testa - 300 g pečene ribe ili dimljenog lososa - 2 kuhana jaja - 1 vezica kopra - 2 crvena luka - 100 g slanog maslaca, u kockicama - ulje

1. Postavite rešetku 4,7 mm na stroj za mljevenje. Izrežite crveni luk na 8 dijelova, sameljite luk pomoću stroja za mljevenje. Ispržite na blagoj vatri u dubljoj tavi s malo ulja. Sklonite.
2. Sameljite malo ribe, dodajte isprženi crveni luk, maslac, kopar i na kraju sameljite ostatak ribe.
3. Razvucite tanki sloj lisnatog tijesta, čašom ili zdjelicom izradite krugove (manje ili veće).
4. Zagrijte pećnicu na 210°C (6).
5. Stavite malo smjese na svaki krug i savijte tijesto pritisnuvši rubove.
6. Peći u pećnici 10 do 15 minuta da porumene.

Kuglice od govedine

4 osobe - Priprema 20 min. Vrijeme pečenja: 10 - 15 min.

Sastojci: 1 kg govedine - 1 crveni luk - 1 češnjak češnjaka - 2 kriške crnog kruha umočenog u mlijeko - 2 jaja - 1 krumpir - brašno - sol, papar

1. Za ovaj recept odaberite komade nemasne govedine. Sameljite meso u stroju za mljevenje s kriškama kruha.
2. Isjeckajte crveni luk pomoću dodatka za sjeckanje (K3b) i naribajte krumpir pomoću nastavka za ribanje (K3a).
3. Spojite mljeveno meso, kruh, isjeckani luk i krumpir.
4. Dodajte jaja u smjesu, crni mljeveni papar i sol i oblikujte kuglice.
5. Uvaljajte kuglice u brašno i pržite ih u ulju.

Musaka

4 osobe - Priprema 30 min. Vrijeme pečenja: 45 min.

Sastojci: 400 g mljevenog mesa - 1 kg krumpira - 2 jaja - 2 čaše mlijeka
1 češnjak češnjaka - 1,5 velika žlica maslaca - 2 velike žlice ulja - sol, papar

1. Očistite, operite i osušite krumpir. Izrežite ga pomoću nastavka za sjeckanje (K3b).
2. Sameljite juneće meso u mašini za mljevenje i pržite mljeveno meso u tavi na ulju 5 minuta.
3. Izmiješajte češnjakom unutrašnjost tanjura i premažite ga s malo maslaca.
4. Redajte u nekoliko slojeva 2/3 krumpira i mljeveno meso, posolite, zapaprite, a zatim dodajte preostali krumpir.
5. Umotite jaja s toplim mlijekom i njima prelijte krumpir. Dodajte ostatak maslaca. Pecite u pećnici 45 minuta na umjerenoj temperaturi.

Gratinirane jabuke s bademima

4 osobe - Priprema 40 min. Vrijeme pečenja: 30 min.

Sastojci: 6 jabuka - 60 g smeđeg šećera - 50 g maslaca - 50 g cijelih badema - 20 cl vrhnja - 1 žličica cimeta
Ogulite, očistite od sjemenki i izrežite jabuke na četvrtine. Izrežite u listove pomoću nastavka za sjeckanje (K3b) i pržite s 30 g maslaca. Gratinirano jelo premažite komadićem maslaca i rasporedite karamelizirane jabuke na dno. Izmrvite bademe pomoću dodatka za usitnjavanje (K3c). Izmiješajte izmrvljeni badem, vrhnje i cimet u zdjeli za salatu. Preljite jabuke ovom smjesom i pospite smeđim šećerom. Pecite na 160°C.

OPIS :

- A Snemljiva mlevna glava
 - A1 Ohišje iz aluminija
 - A2 Vijačna gred
 - A3 Samoostrilno rezilo iz inoksa
 - A4 Plošče za mletje
 - A4a Plošča za mletje z majhnimi odprtini (2.4mm) *(glede na model)* za fino mletje
 - A4b Plošča za mletje s srednje velikimi odprtini (4.7mm) za fino mletje
 - A4c Plošča za mletje z velikimi odprtini (8 mm) za grobo mletje
 - A5 Vijačni obroček iz aluminija
- B Snemljiv pladenj
- C Potiskalo za meso
- D Prostor za odlaganje nastavkov
- E Gumb za ločitev mlevne glave od ohišja
- F Gumb za vklop/izklop (Start/Stop) (0-1)
- G Stikalo „Reverse“ (za trenutno vrtenje v nasprotni smeri)
- H Motorna enota
- I Nastavek za ČEVAPČIČE
 - I1 Konica zvezdastega dela
 - I2 Prstan
- J Cev za klobase *(glede na model)*
 - J1 Navojni del za centriranje
 - J2 Cev
- K Nastavek za sekljanje zelenjave *(glede na model)*
 - K1 Del za nastavke / cev
 - K2 Potiskalo
 - K3 Rezalniki
 - K3a Rezalnik za ribanje
 - K3b Rezalnik za sekljanje
 - K3c Rezalnik za strganje

NASVETI ZA VARNO UPORABO:

- **Pred prvo uporabo pozorno preberite navodila za uporabo Vašega aparata: v primeru uporabe, ki ni v skladu s temi navodili, Moulinex ne prevzema nobene odgovornosti.**
- Tega aparata ne morejo uporabljati gibalno, senzorno ali intelektualno ovirane osebe (vključno z otroki), niti osebe, ki z aparatom niso seznanjene in nimajo izkušenj z njegovo uporabo, razen če so pod nadzorom osebe, ki je zadolžena za njihovo varnost, ali pa so seznanjene z navodili za uporabo tega aparata.
- Otroke je zaželeno nadzorovati in se prepričati, da se z aparatom ne igrajo.
- Preverite, ali napetost aparata ustreza napetosti vaše hišne napeljave. Vsaka napaka pri priključitvi aparata izniči garancijo.
- **Aparat je namenjen izključno uporabi v gospodinjstvu in pod nadzorom.**
- **Aparat uporabljajte na ravni, čisti in suhi površini.**
- Med uporabo poskrbite, da nad delujočimi nastavki ne visijo dolgi lasje, šal ali kravata.
- Aparat odklopite iz električnega omrežja po vsaki uporabi, pred čiščenjem ali med nameščanjem ali odstranjevanjem nastavkov.
- Aparata ne uporabljajte, če obstajajo nepravilnosti v njegovem delovanju ali, če je poškodovan. V takih primerih se obrnite na pooblaščen servis Moulinex (glej seznam v servisnem listu).

- Vsak poseg v aparat, razen čiščenja in rednega vzdrževanja, lahko opravi le pooblaščen servisni center Moulinex.
- Aparata ne uporabljajte, če je poškodovan napajalni kabel. Da bi se izognili kakršni koli nevarnosti, naj kabel zamenja pooblaščen servis Moulinex (glej seznam v servisnem listu).
- Aparata, napajalnega kabla in vtikača ne potaplajte v vodo ali kakršno koli drugo tekočino.
- Napajalnega kabla ne puščajte viseti v dosegu otrok.
- Napajalni kabel ne sme nikoli biti v bližini segretyh delov ali v stiku z njimi, v bližini virov toplote in ne sme viseti preko ostrih robov.
- Zaradi zagotavljanja Vaše varnosti, uporabljajte le nastavke Moulinex in rezervne dele, ki so predvideni za vaš aparat.
- Nikoli ne presežite maksimalnega časa obratovanja 14 minut.
- Zaradi zagotavljanja Vaše varnosti je aparat izdelan v skladu z veljavnimi normami in predpisi:
 - Direktiva o nizki napetosti
 - Elektromagnetna združljivost
 - Varstvo življenjskega okolja
 - Materiali, namenjeni za stik z živili.

PRED PRVO UPORABO:

Vse nastavke operite v milnici. Izperite in takoj obrišite.

Plošče za mletje in rezilo morajo biti naoljeni. Naoljite jih.

Aparata ne pustite obratovati na prazno, če plošče za mlete niso naoljene.

POZOR : Rezila nastavkov so izjemno ostra, zato pri rokovanju z njimi bodite previdni in vedno prijemajte le za plastični del.

PRIPRAVA ZA UPORABO:

MLEVNA GLAVA (A) :

Sestavljanje mlevne glave (shema 1.1 in 1.2)

Ohišje **A1** primate za cev tako, da je največja odprtina obrnjena navzgor. Nato vstavite vijačno gred **A2** (najprej daljša os) v ohišje **A1**.

Rezilo iz inoksa **A3** namestite na kratko os, ki štrli iz vijačne gredi **A2**, tako da so robovi rezila obrnjeni navzven. Na rezilo **A3** namestite zeleno ploščo za mletje, pri tem pa bodite pozorni, da se zareze nastavka, ki ga nameščate, prilagajo izboklinam na ohišju **A1**.

Vijačni obroček **A5** privijte do konca (brez blokiranja).

Nameščanje mlevne glave na aparat (shema 2) :

Mlevno glavo postavite nasproti motorni enoti **H** tako, da je cev nagnjena v desno. Dve izboklini na mlevni glavi morata naleči na dve zarezi na motorni enoti.

Mlevno glavo porinite do konca v motorno enoto **H** in cev nato povlecite na levo, dokler se ne aktivira mehanizem za pritrditev (cev se takrat nahaja v vertikalnem položaju).

Snemljiv pladenj **B** namestite v ustrezne utore na mlevni glavi.

Aparat je pripravljen za uporabo in ga lahko vklopite.

Uporaba :

Pripravite celotno količino živil, ki jih želite sekljati, odstranite kosti, hrustanec in kite.

Meso narežite na kose (približno 2 x 2 cm).

Pod mlevno glavno nastavite posodo.

Pritisnite položaj „I“ na gumbu za vklop/izklop **F**, da bi aparat začel delovati.

Kose mesa položite na pladenj **B** in enega po enega s pomočjo potiskala **C** potiskajte v cev.

Nikoli ne potiskajte živil v cev s prsti ali kakšnim drugim predmetom.

Da bi dobili ustrezno maso za pripravo čevapčičev ali polpetov, meso zmeljite prek mlevne glave 2 do 3 krat, dokler ne dobite zeleno maso.

Nasvet:

Na koncu postopka lahko zmeljete nekaj koščkov kruha, da bi odstranili ostanke mase.

Kaj storiti, če se živilo zagodzi? (shema 3)

Prekinite delovanje aparata za mletje s pritiskom na položaj „0“ na gumbu za vklop/izklop **F**.

Nato nekaj nekaj sekund držite pritisnjeno stikalo „Reverse“ **G**, da bi odstranili živila. Za nadaljevanje mletja pritisnite na položaj „I“ na gumbu za vklop/izklop **F**.

Pomembno: Preden pritisnete ukaz „Vkllop“ **F** ali ukaz „Reverse“ **G**, počakajte, da se aparat popolnoma ustavi.

NASTAVEK ZA ČEVAPČIČE (I)

Sestavljanje (shema 4) :

Vijačno gred **A2** vstavite v ohišje mlevne glave **A1**. Konico zvezdastega dela **I1** namestite tako, da izbokline na njem nalegajo na žlebove ohišja **A1**.

Prstan **I2** namestite na konico zvezdastega dela, nato do konca privijte vijačni obroček **A5**.

Tako sestavljeno glavo namestite na motorno enoto, kot je prikazano na **shemi 4**.

Opomba : Ta nastavek se uporablja brez plošče za mletje in rezila.

CEV ZA KLOBASE (glede na model)

Ta nastavek, ki se namešča na mlevno glavo, Vam omogoča izdelavo vseh vrst klobas, ki jih lahko začinite po svojem okusu.

Sestavljanje (shema 5)

Vijačno gred **A2** vstavite v ohišje mlevne glave **A1**. Navojni del za centriranje **J1** namestite tako, da izbokline na njem nalegajo na žlebove ohišja **A1**. Namestite cev **J2** in nato do konca privijte vijačni obroček **A5**. Tako sestavljeno mlevno glavo namestite na motorno enoto tako, kod je prikazano na **shemi 5**.

OPOMBA: Ta nastavek se uporablja brez plošče za mletje in rezila. Navojni del za centriranje onemogoča premikanje nastavka med pripravo klobas.

Uporaba:

Pomembno: Pred uporabo tega nastavka, meso zmeljite, dodajte začimbe in maso dobro pregnetite.

Ovoj klobase nekaj časa namakajte v mlačni vodi, da bi zopet postal elastičen, nato ga navlecite na cev za klobase **J2** in pustite približno 5 cm ovoja.

Cev ohišja mlevne glave **A1** napolnite z maso za polnjenje, aparat zaženite in s potiskalom **C** maso potisnite do konca cevi.

Ustavite aparat.

Naredite vozec iz puščenih 5–ih cm ovoja. Vozec ponovno porinite do konca cevi, da bi preprečili nabiranje zraka v ovoju.

Aparat ponovno zaženite in nadaljujte s dodajanjem mase za polnjenje. Nadzorujte polnjenje ovoja. Da bi preprečili, da se ovoj preveč razvleče, ne delajte prevelikih klobas.

OPOMBA: To opravilo se lažje izvaja v dvoje, ena oseba lahko tako dodaja maso za polnjenje, medtem ko druga drži ovoj, ki se polni.

Želena dolžino klobas boste dosegli s pritiskanjem in obračanjem ovoja z ene strani na drugo.

Za izdelavo kvalitetnih klobas se izognite nabiranju zraka v ovoju med polnjenjem in oblikujte klobase dolžine od 10 do 15 cm (klobase med seboj ločujte tako, da iz ovoja delate vozce).

NASTAVEK ZA SEKLJANJE ZELENJAVE (K) (glede na model)

Sestavljanje (shema 6) :

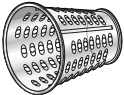


Nasproti izklopljene motorne enote postavite del **K1**, ki je nagnjen v desno, in ga vstavite tako, da ustrezni deli nalegajo na utore motorne enote **H**. Preostali, daljši del **K1** vstavite na os motorne enote **H**. Del **K1** povlecite na levo, dokler se ne aktivira mehanizem za pritrditvev.

Uporaba:

- Izberite rezalnik, ki ga želite uporabiti.
- Izbrani rezalnik vstavite v odprtino na sprednjem delu **K1**, rezalnik mora biti pravilno nameščen in porinjen do konca dela, ki se uporablja za polnjenje (**slika 7**).
- Aparat vklopite.
- Enkrat ali dvakrat pritisnite na gumb vklop/izklop **F**, da bi se rezalnik zaklenil (**slika 8**),
- Aparat zaženite in napolnite z živilo skozi cev dela **K1** (**slika 9**) ter jih potiskajte s potiskalom **K2** (**slika 10**).
- Če želite zamenjati rezalnik, počakajte da se delujoči rezalnik popolnoma ustavi, eno sekundo držite pritisnjeno

stikalo **G Reverse** in uporabljeni rezalnik se bo samodejno odstranil (slika 11).

POZOR: Preden zaženete aparat, se prepričajte, ali je rezalnik pravilno nameščen v del, ki ga poganja. Uporabljajte rezalnik, ki ustreza vrsti živila:

	(*) Rez.za ribanje K3a 	(*)Rez. /sekljanje K3b 	(*) Rez. za strganje K3c 
Korenček	X	X	
Bučke	X	X	
Krompir	X	X	
Kumare	X	X	
Paprika	X	X	
Čebula		X	
Rdeča pesa		X	
Zelje (belo/rdeče)		X	
Jabolka		X	
Črna redkev	X	X	
Zelena	X		
Banana		X	
Parmezan			X
Grojer	X	X	
Čokolada	X		X
Sušen kruh / prepečenec			X
Lešnik/oreh/mandeljni			X
Kokosov oreh			X

(*) *glede na model*

Nasveti za doseganje dobrih rezultatov:

Da bi dosegli zadovoljive rezultate in preprečili kopičenje živil v delu za mletje, morajo sestavine, ki jih uporabljate, biti dovolj trde. Rezalnika za ribanje ne uporabljajte za seklanje preveč trdih živil, kot so sladkor ali koščki mesa.

Živila narežite na kose, da bi jih lažje vstavili v cev dela za mletje.

ČIŠČENJE :

- Pred čiščenjem motorne enote **H**, aparat vedno izklopite.
- Motorne enote ne potaplajte v vodo in ga pod vodo ne izpirajte. Motorno enoto očistite z vlažno krpo. Previdno jo posušite.

1) Nastavki za aparat za mletje mesa:

- Glavo ali nastavek za seklanje zelenjave odstranite s pritiskom na gumb **E**.
- Mlevno glavo aparata **A** zavrtite v desno in povlecite proti sebi, da bi jo ločili od motorne enote **H**.
- Za razstavljanje mlevne glave za meso **A**, odstranite potiskalo **C** in pladenj **B**, odvijte vijaki obroček **A5**, povlecite ploščo za mletje **A4**, rezilo **A3** in vijakno gredo **A2**.
- **Z rezilnimi deli ravnajte previdno.**
- Vse dele operite s toplo vodo in milnico, izperite in pazorno obrišite.
- Mlevne glave aparata za mletje **A** ne pomivajte v pomivalnem stroju (to pomeni ohišja **A1**, vijake gredi **A2**, vijaknega obročka **A5**, rezila **A3** in plošč za mletje **A4**).

2) Rezalniki za seklanje zelenjave (glede na model):

- Del (**K1**), potiskalo (**K2**), rezalnike (**K3a**, **K3b**, **K3c**) lahko pomivate v pomivalnem stroju, in sicer v zgornjem košu in z uporabo programa „ECO“ ali „NE PREVEČ UMAZANO“.
- **Z rezalniki ravnajte previdno, ker so rezila izjemno ostra.**
- V primeru, če živila, kot je na primer korenček, obarvajo plastične dele, le-te zdrgnite s krpo, natopljeno v jedilno olje, nato pa jih operite na običajen način.

SHRANJEVANJE :

Plošče za mletje, rezilo, del za centriranje, nastavki za čevapčiče in klobase (I1, I2 i J1, J2) se lahko shranjujejo v prostoru, ki se nahaja na zadnjem delu aparata (prostor za odlaganje D).

KAJ STORITI, ČE VAŠ APARAT NE DELUJE?

Preverite, ali je aparat vklopljen v električno omrežje.

Če aparat še vedno ne deluje, se obrnite na pooblaščen servis Moulinex (glej seznam v servisnem listu).

ELEKTRIČNI ALI ELEKTRONSKI APARATI, KI SO IZVEN UPORABE

Sodelujmo v varstvu življenjskega okolja!



① Vaš aparat vsebuje številne materiale, ki jih je moč reciklirati.

② Odložite ga na za to določenem zbirnem mestu, če pa takega mesta ni, ga odnesite v pooblaščen servis, da bi omogočili njegovo ustrezno predelavo.

RECEPTI

N. B. : Za recepte, ki zahtevajo večjo moč, obratovalni čas ne sme presegati 20 s.

Primer recepta (s ploščo za mletje s srednje velikimi odprtini 4,7 mm A4b) :

ČEVAPČIČI „BI LABAN“ (čevapčiči z jogurtom)

6 oseb - Priprava : 1 ura V hladilniku naj počivajo 1 uro.

Sestavine za meso čevapčičev: 600 g mesa - 300 g bulgurja (zdrobljene pšenice) - sol

Sestavine za omako: 1 kg jogurta - 1 šopek koriandra - 4 stroki česna - 3 žlice juhe iz koruznega škroba - sol, poper

1. Meso narežite na 4 kose, na aparat za mletje mesa namestite ploščo za mletje 4,7 mm. Meso zmeljite, ob dodajanju bulgurja. Posolite in pustite 1 uro stati na hladnem mestu.
2. Za oblikovanje mesnih kroglic : na aparat za mletje namestite nastavek za čevapčiče. Ponovno zmeljite meso in konce kroglic zaokrožite z vlažnimi prsti.
3. Priprava omake: šopek koriandra operite, položite ga na vpojni papir in ločite listke. Česen olupite in zmečkajte ter ga skupaj s koriandrom na hitro v ponvi popražite, in sicer 1 do 2 minuti na tihem ognju. Umaknite z ognja.
4. Zmešajte jogurt in koruzni škrob, dodajte sol in poper. Meso vlijte v kozico skozi fino cedilo. Masa naj zavre, nato pa zmanjšajte ogenj. Ves čas mešajte, da se jogurt ne bi sesiril.
5. Dodajte česen in koriander. Čevapčiče poširajte 10 minut.

Varianta : Kroglice lahko tudi nadevate (z mešanico čebule in mletega mesa, ki jih pred tem popražite na malo olja, z dodatkom majhne količine pinjol).

ZVITKI

4 osebe - Priprava: 40 min Čas peke: 35 min

Sestavine: 250 g listnatega testa - 350 g govejega mesa - 1 čebula - 2 jajci - mleta rdeča paprika - cimet ali ingver v prahu - peteršilj - koriander - krebujlica - sladkor - 60 g masla - oljčno ulje

1. Na aparat za mletje namestite ploščo za mletje z odprtini 4,7 mm. Čebulo razrežite na 8 kosov in jo zmeljite v aparatu. V globlji ponvi segrejte 4 jedilne žlice oljčnega olja in dodajte čebulo. Pražite na tihem ognju, da se zmehča, vendar ne sme porjaveti. Umaknite z ognja.
2. Goveje meso zmeljite in ga 10 minut pražite skupaj s čebulo, da rahlo potemni. Umaknite.
3. V aparatu zmeljite začimbe in jih dodajte v globljo ponev, dodajte sol in poper, pol žličke mlete rdeče paprike, ščepec ingverja in eno žličko cimeta.
4. Zmešajte s stepenimi jajci, premešajte, nato pa prenehajte pražiti.
5. Listnato testo razvlecite. Razrežite na kvadrate 10 x 10 cm, robove namažite z maslom.
6. Na vsak kvadrat dajte žličko nadeva. Testo zvijte v zvitke in zlepite po robovih.
7. Zvitke pražite v vrelem olju. Ko so pečene, jih nekaj časa pustite na vpojnem papirju. Posujte s sladkorjem in cimetom. Postrezite toplo.

Varianta :

Ploščo za mletje 4,7 mm namestite na aparat. Čebulo razrežite na 8 kosov. V aparatu zmeljite malo mesa in čebulo.

Dodajte malo mesa, nato pa začimbe in na koncu preostanek mesa. Stepite jajca in jih dodajte nadevu, posolite in poprajte, dodajte pol žličke mlete rdeče paprike, ščepec ingverja in eno žličko cimeta. Maso pregnetite. Ponovite korake 5 do 7.

PIROŠKE (ribje paštete)

4 osebe - Priprava: 25 min Čas peke: 10-15 min

Sestavine: 250 g listnatega testa - 300 g pečene ribe ali dimljenega lososa - 2 kuhani jajci - 1 šopek kopra - 2 čebuli - 100 g slanega masla, v kockah - olje

1. Ploščo za mletje 4,7 mm namestite na aparat za mletje. Čebulo razrežite na 8 kosov, zmeljite v aparatu. Popražite na malo olja v globlji ponvi, na tihem ognju. Umaknite z ognja.
2. Zmeljite malo ribe, dodajte popraženo čebulo, maslo, koper, na koncu pa zmeljite preostanek ribe.
3. Razvlecite tanek sloj listnatega testa, s kozarcem ali skledico oblikujte kroge (manjše ali večje).
4. Pečico segrejte na 210 °C (6).
5. Na vsak krogec položite malo nadeva, testo zvijte in zlepite po robovih.
6. Pecite v pečici od 10 do 15 minut, dokler ne porumenijo.

Kroglice iz govejega mesa

4 osebe - Priprava: 20 min. Čas peke: 10-15 min.

Sestavine: 1 kg govejega mesa - 1 čebula - 1 strok česna - 2 rezini črnega kruha, namočeni v mleko - 2 jajci - 1 krompir - moka - sol, poper

1. Za ta recept uporabite kose nemastnega govejega mesa. Meso zmeljite v aparatu za mletje, prav tako tudi rezine kruha.
2. Čebulo sesekljate s pomočjo rezalnika za sekljanje (K3b), krompir pa naribajte s pomočjo rezalnika za ribanje (K3a).
3. Pomešajte zmleto meso, kruh, sesekljano čebulo in krompir.
4. Masi dodajte jajca, mlet črni poper in sol, ter oblikujte kroglice.
5. Kroglice povaljajte v moki in jih pražite na olju.

Krompirjev puding, pripravljen v pečici

4 osebe - Priprava: 30 min. Čas peke: 45 min.

Sestavine: 400 g mletega mesa - 1 kg krompirja - 2 jajci - 2 kozarca mleka - 1 strok česna - 1, 5 jedilna žlica masla - 2 jedilni žlici olja - sol, poper

1. Krompir olupite, operite in posušite. Sesekljajte ga s pomočjo rezalnika za sekljanje (K3b).
2. Goveje meso zmeljite in ga v ponvi, na olju, pražite 5 minut.
3. Notranjost pekača nadrgnite s česnom in ga premažite z malo masla.
4. Zložite nekaj slojev iz 2/3 krompirja in mleto meso, posolite, poprajte, nato pa dodajte preostanek krompirja.
5. Stepite jajca s toplim mlekom in s to maso prelijte krompir. Dodajte preostanek masla. 45 minut pecite v pečici 45 minut, segreti na zmerno temperaturo.

Gratinirana jabolka z mandeljni

4 osebe - Priprava: 40 min. Čas peke: 30 min.

Sestavine: 6 jabolk - 60 g rjavega sladkorja - 50 g masla - 50 g celih mandeljnov - 20 cl smetane - 1 čajna žlička cimeta

Jabolka olupite, razkoščičite in razrežite na četrtine. Narežite na listke s pomočjo rezalnika za sekljanje (K3b) in popražite na 30 g masla. Gratinirano jed premažite s koščkom masla in karamelizirana jabolka razporedite po dnu. Mandeljne zdrobite s pomočjo rezalnika za strganje (K3c). V skledi za solato pomešajte zdrobljene mandeljne, smetano in cimet. Jabolka prelijte s to maso in posujte z rjavim sladkorjem. Jed pecite na 160°C.

Vă mulțumim că ați ales un aparat din gama Moulinex.

DESCRIERE:

- A Cap de tocător detașabil
 - A1 Corp de aluminiu
 - A2 Șurub
 - A3 Cuțit de inox cu autoascuțire
 - A4 Grile
 - A4a Grilă cu orificii mici (2,4 mm) *(în funcție de model)*
tocat foarte fin
 - A4b Grilă cu orificii medii (4,7 mm)
tocat fin
 - A4c Grilă cu orificii mari (8 mm)
tocat mare
 - A5 Piuliță de aluminiu
- B Platou detașabil
- C Piston de carne
- D Carcasă de depozitare a accesoriilor
- E Buton de deblocare a capului de tocător
- F Buton de pornire/oprire (0-1)
- G Buton „Inversare” (funcționare înapoi temporară)
- H Bloc motor
- I Accesoriu KEBBE
 - I1 Duză de filieră
 - I2 Inel
- J Pâlnie pentru cârnați *(în funcție de model)*
 - J1 Dispozitiv de centrare a șurubului
 - J2 Pâlnie
- K Tăietor de legume *(în funcție de model)*
 - K1 Magazie de conuri/coș
 - K2 Piston
 - K3 Conuri
 - K3a Con pentru radere
 - K3b Con pentru feliere subțire
 - K3c Con pentru răzuire

INSTRUCȚIUNI DE SIGURANȚĂ:

- Citiți cu atenție modul de utilizare înainte de a folosi pentru prima dată aparatul dumneavoastră: o utilizare neconformă cu instrucțiunile de utilizare exonerează Moulinex de orice răspundere.
- Acest aparat nu este destinat utilizării de către persoane (inclusiv copiii) cu capacități fizice, senzoriale sau mintale reduse sau de către persoane lipsite de experiență și cunoștințe, cu excepția cazului în care acestea au putut beneficia, din partea unei persoane responsabile pentru siguranța lor, de supraveghere sau instruire prealabilă cu privire la utilizarea aparatului.
- Copiii trebuie supravegheați pentru a avea grijă să nu se joace cu aparatul.
- Verificați dacă tensiunea de alimentare a aparatului dumneavoastră corespunde celei de la instalația dumneavoastră de alimentare electrică.
- Orice eroare de conectare la sursa de alimentare anulează garanția.
- Aparatul dumneavoastră este destinat exclusiv unei utilizări casnice, în interiorul locuinței și sub supraveghere.
- Utilizați aparatul pe o suprafață plană, curată și uscată.
- Nu lăsați niciodată părul lung, o eșarfă sau o cravată să atârne deasupra accesoriilor aflate în funcțiune.
- Scoateți aparatul din priză imediat ce încetați să îl utilizați, atunci când îl curățați și în timpul instalării sau detașării accesoriilor.

- Nu utilizați aparatul dacă acesta nu funcționează corect sau dacă a fost deteriorat. În acest caz, adresați-vă unui centru de service agreat Moulinex (a se vedea lista din carnetul de service).
- Orice altă intervenție în afara de activitățile obișnuite de curățare și întreținere realizate de client trebuie efectuată de către un centru agreat Moulinex.
- În cazul în care cablul este deteriorat, nu utilizați aparatul. Pentru a evita orice pericol, asigurați înlocuirea acestuia de către un centru de service agreat Moulinex (a se vedea lista din carnetul de service).
- Nu scufundați aparatul, cablul de alimentare sau ștecărul în apă sau în orice alt lichid.
- Nu lăsați cablul de alimentare să atârne la îndemâna copiilor.
- Cablul de alimentare nu trebuie să se afle niciodată în apropierea sau în contact cu părțile încălzite, în apropierea unei surse de căldură sau pe o muchie ascuțită și proeminentă.
- Pentru siguranța dumneavoastră, utilizați doar accesorii și piese detașate Moulinex adaptate la aparatul dumneavoastră.
- Nu utilizați aparatul mai mult de 14 minute.
- Pentru siguranța dumneavoastră, acest aparat este conform cu normele și reglementările aplicabile:
 - Directiva privind dispozitivele de joasă tensiune
 - Directiva privind compatibilitatea electromagnetică
 - Normele privind protecția mediului
 - Directiva privind materialele care intră în contact cu alimentele.

ÎNAINTE DE PRIMA UTILIZARE:

Spălați toate accesoriile cu apă și săpun. Clătiți-le și ștergeți-le imediat cu grijă.

Grila și cuțitul trebuie să rămână gresate. Ungeți-le cu ulei.

Nu lăsați produsul să funcționeze în gol dacă grilele nu sunt unse.

ATENȚIE: Lamele conurilor sunt extrem de ascuțite, prin urmare, manevrați conurile cu precauție apucându-le întotdeauna de partea din plastic.

PUNEREA ÎN FUNCȚIUNE:

CAP DE TOCĂTOR (A):

Montarea capului de tocător (schemele 1.1 și 1.2)

Apucați corpul **A1** de coș cu deschiderea cea mai largă în sus. Introduceți apoi șurubul **A2** (mai întâi cu axul lung) în corpul **A1**.

Fixați cuțitul de inox **A3** pe axul scurt proeminent al șurubului **A2** amplasând marginile tăioase spre exterior.

Amplasați o grilă, la alegere, pe cuțitul **A3**, având grijă ca proeminența să corespundă canelurii corpului **A1**.

Înșurubați complet (fără a bloca) piulița **A5**.

Instalarea capului de tocător pe aparat (schema 2):

Aduceți în fața blocului motor **H** deconectat de la sursa de alimentare capul tocătorului cu coșul înclinat spre dreapta.

Aveți grijă ca cele 2 baionete ale capului de tocător să corespundă celor 2 caneluri ale blocului motor. Introduceți complet capul de tocător în blocul motor **H**, după care aduceți înapoi coșul spre stânga până când atinge opritorul

(coșul va trebui deci să fie vertical).

Montați platoul detașabil **B** pe proeminențele coșului capului de tocător.

Conectați aparatul la sursa de alimentare; acum este gata de utilizare.

Utilizare:

Pregătiți întreaga cantitate de alimente de tocat, îndepărtați oasele, cartilajele și vinele.

Tăiați carnea în bucăți (de aproximativ 2 cm X 2 cm).

Așezați un recipient sub capul tocătorului.

Apăsați pe poziția „I” a butonului de pornire/oprire **F** pentru a pune aparatul în funcțiune.

Amplasați bucățile de carne pe platoul **B** și glisați-le una câte una în coș cu ajutorul pistonului **C**.

Nu le împingeți niciodată cu degetele sau cu o altă ustensilă în coș.

Pentru realizarea pastei fine de Kebbe sau Kefta, pasați carnea de 2-3 ori prin capul de tocător până la obținerea fineții dorite.

Sugestie:

La sfârșitul operațiunii, puteți introduce câteva bucăți de pâine pentru a face să iasă întreaga tocătură.

Ce trebuie făcut în caz de blocare? (schema 3)

Opriiți tocătorul apăsând pe poziția „0” a butonului de pornire/oprire F.

Apăsați apoi câteva secunde pe butonul „Inversare” G pentru a elibera alimentele.

Apăsați pe poziția „I” a butonului de pornire/oprire F pentru a continua operațiunea de tocare.

Important: așteptați ca aparatul să se oprească definitiv înainte de a acționa comanda „Pornire” F sau comanda „Inversare” G.

ACCESORIU PENTRU KEBBE (I)

Montare (schema 4):

Introduceți șurubul A2 în corpul A1 al capului de tocător. Amplasați duza de filieră I1 având grijă ca proeminența să corespundă canelurii corpului A1.

Poziționați inelul I2 pe duza de filieră, apoi înșurubați piulița A5 complet.

Amplasați capul astfel montat pe blocul motor așa cum se indică în **schema 4**.

Observație: acest accesoriu se utilizează fără grilă și fără cuțit.

PÂLNIE PENTRU CÂRNAȚI (J) (în funcție de model)

Acest accesoriu care se adaptează pe capul tocătorului vă va permite să preparați cârnați de toate felurile pe care să îi asezonați după gustul propriu.

Montare (schema 5)

Introduceți șurubul A2 în corpul A1 al capului de tocător. Amplasați dispozitivul de centrare a șurubului J1 având grijă ca proeminența să corespundă canelurii corpului A1. Poziționați apoi pâlnia J2 și apoi piulița A5 și înșurubați complet. Amplasați capul de tocător astfel montat pe blocul motor așa cum se indică în **schema 5**.

Notă: acest accesoriu se utilizează fără grilă și fără cuțit. Dispozitivul de centrare a șurubului permite menținerea șurubului în poziție în timpul preparării rețetei.

Utilizare:

Important: acest accesoriu se utilizează doar după ce ați tocat carnea, ați adăugat condimentele și ați amestecat bine preparatul.

După ce ați lăsat mațul să se înmoaie în apă caldută pentru a-și recăpăta elasticitatea, înfășurați-l în jurul pâlniei J2 lăsând în afară aproximativ 5 cm.

Umpleți cu tocătură coșul corpului A1 al capului de tocător A, puneți aparatul în funcțiune și apăsați cu pistonul C astfel încât să aduceți tocătura chiar la extremitatea pâlniei.

Opriiți aparatul.

Faceți un nod cu cei 5 cm de maț care ies în afară. Împingeți înapoi nodul pe extremitatea pâlniei pentru a evita captarea aerului în maț.

Puneți din nou aparatul în funcțiune și continuați alimentarea cu tocătură. Urmăriți mațul pe măsură ce se umple. Pentru a evita întinderea excesivă a mațului, nu preparați cârnați prea mari.

Notă: această operațiune se efectuează mai ușor în doi, o persoană asigurând alimentarea cu tocătură, iar cealaltă ținând mațul care se umple.

Preparați cârnați cu lungimea dorită strângând și răsucind mațul din loc în loc.

Pentru a obține un cârnat de calitate, aveți grijă să evitați captarea de aer în timpul umplerii și preparați cârnați de 10–15 cm (separați cârnații amplasând o legătură între ei și făcând un nod cu ajutorul acesteia).

TĂIETOR DE LEGUME (K) (în funcție de model)

Montare (schema 6):

Aduceți în fața blocului motor deconectat de la sursa de alimentare magazia K1 înclinată spre dreapta și potriviți urechile magaziei în deschizăturile blocului motor H. Poziționați tija care iese din magazia K1 în axul blocului motor H. Reduceți apoi coșul magaziei K1 spre stânga până la opritor.

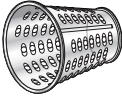

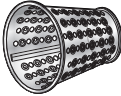
Utilizare:

- Selectați conul corespunzător utilizării dorite.
- Introduceți conul selectat în deschiderea părții din față a magaziei K1, conul trebuind să fie poziționat corect până la capătul dispozitivului de antrenare (**schema 7**).
- Conectați aparatul la sursa de alimentare:
- Apăsați o dată sau de două ori pe butonul de pornire/oprire F pentru blocarea conului (**schema 8**).

- Puneți aparatul în funcțiune, apoi introduceți alimentele prin coșul magaziei K1 (schema 9) și împingeți alimentele cu ajutorul pistonului K2 (schema 10).
- Pentru schimbarea conului, așteptați ca acesta să se oprească de tot, apăsați 1 secundă pe butonul G inversare și conul va ieși automat (schema 11).

ATENȚIE: Înainte de a pune în funcțiune aparatul, asigurați-vă de poziționarea perfectă a conului pe dispozitivul de antrenare.

Utilizați conul prevăzut pentru fiecare tip de aliment:

	(*) Con pentru radere K3a	(*) Con pentru feliere subțire K3b	(*) Con pentru răzuire K3c
			
Morcovi	X	X	
Dovleci	X	X	
Cartofi	X	X	
Castraveți	X	X	
Ardei gras	X	X	
Ceapă		X	
Sfeclă roșie		X	
Varză (albă/roșie)		X	
Mere		X	
Ridiche neagră	X	X	
Rădăcină de țelină	X		
Banane		X	
Parmezan			X
Brânză Gruyère	X	X	
Ciocolată	X		X
Pâine uscată/pâine prăjită			X
Alune/nuci/migdale			X
Nucă de cocos			X

(*) în funcție de model

Recomandări pentru obținerea de rezultate excelente:

Ingredientele pe care le utilizați trebuie să fie tari pentru a obține rezultate satisfăcătoare și pentru a evita orice acumulare de alimente în magazie. Nu utilizați aparatul pentru a rade sau felia alimente prea dure, precum zahăr sau bucăți de carne.

Tăiați alimentele pentru a le introduce mai ușor în coșul magaziei.

CURĂȚARE:

- Scoateți întotdeauna aparatul din priză înainte de a curăța blocul motor H.
- Nu scufundați și nu treceți blocul motor sub un jet de apă. Curățați blocul motor cu ajutorul unei lavete umede. Uscați-l cu grijă.

1) Accesorii ale tocătorului de carne:

- Deblocați capul sau accesoriul tăietorului de legume apăsând pe butonul E.
- Rotiți spre dreapta capul de tocător A și trageți-l spre dumneavoastră pentru a-l desprinde de blocul motor H.
- Pentru demontarea capului de tocător A, scoateți pistonul C și platoul B, deșurubați piulița A5, detașați grila A4, cuțitul A3 și șurubul A2.
- Manipulați cu precauție părțile tăioase.
- Spălați toate componentele cu apă caldă și săpun, clătiți-le și ștergeți-le cu grijă.
- Nu curățați capul de tocător A în mașina de spălat vase (respectiv, corpul A1, șurubul A2, piulița A5, cuțitul A3 și grilele A4).

2) Accesorii ale tăietorului de legume (în funcție de model):

- Magazia (K1), pistonul (K2), conurile (K3a, K3b, K3c) pot fi curățate în mașina de spălat vase în coșul din partea de sus utilizând programul „ECO” sau „PUȚIN MURDAR”.

- **Manipulați cu precauție conurile deoarece lamele acestora sunt extrem de ascuțite.**
- În cazul colorării părților din plastic din cauza unor alimente precum morcovii, frecăți-le cu o cârpă îmbibată în ulei alimentar, apoi efectuați curățarea obișnuită.

DEPOZITARE:

Grilele, cuțitul, dispozitivul de centrare a șurubului, accesoriile pentru Kebbé și cârnați (I1, I2 și J1, J2) pot fi depozitate în partea din spate a aparatului (carcasa de depozitare D).

DACĂ APARATUL DUMNEAVOASTRĂ NU FUNCȚIONEAZĂ, CE TREBUIE FĂCUT?

Verificați conectarea la sursa de alimentare.

Dacă aparatul dumneavoastră tot nu funcționează, adresați-vă unui centru de service agreat Moulinex (a se vedea lista din carnetul de service).

PRODUSE ELECTRICE SAU ELECTRONICE LA SFÂRȘITUL DURATEI DE EXPLOATARE

Să contribuim la protecția mediului!



- 1 Aparatul dumneavoastră conține numeroase materiale valorificabile sau reciclabile.
- 2 Duceți aparatul la un punct de colectare sau, dacă nu este disponibil, la un centru de service agreat pentru a asigura procesarea acestuia.

REȚETE

N. B.: Pentru rețetele care necesită o putere mai mare, durata de utilizare a aparatului nu trebuie să depășească 20 s.

Exemplu de rețetă (cu grila cu orificii medii de 4,7 mm A4b):

KIBBE BI LABAN (chifteluțe de kibbé cu iaurt)

6 persoane – Preparare: 1 h Durată de așteptare: 1 h la frigider

Ingrediente pentru pasta de kibbé: 600 g de carne – 300 g de bulgur (grâu măcinat) – sare

Ingrediente pentru sos: 1 kg de iaurt – 1 buchețel de coriandru – 4 căței de usturoi – 3 linguri de maizena – sare, piper

1. Tăiați carnea în 4 bucăți. Montați grila de 4,7 mm pe tocător. Tocați carnea încorporând în același timp bulgurul. Sărați, apoi lăsați pasta la rece timp de 1 oră.
2. Pentru a forma chifteluțele de kibbé: montați pe tocător accesoriul pentru kibbé. Treceți din nou pasta prin tocător și dați formă chifteluței lipind extremitățile cu puțină apă.
3. Pentru prepararea sosului: spălați buchețelul de coriandru, lăsați-l să se scurgă pe hârtie absorbantă și desprindeți frunzele. Curățați usturoiul de coajă și zdrobiți-l. Rumeniți usturoiul și coriandru într-o tigaie timp de 1–2 minute la foc mic. Dați deoparte.
4. Bateți iaurtul și maioneza împreună, apoi sărați și piperați. Turnați întregul amestec într-o cratiță printr-o strecurătoare fină. Lăsați amestecul să dea în fiert, apoi micșorați focul. Supravegheați prepararea amestecând din când în când pentru ca iaurtul să nu se prindă de fund.
5. Adăugați usturoiul și coriandru. Fierbeți chifteluțele de kibbé timp de 10 minute.

Variantă: De asemenea, puteți umple chifteluțele (cu un amestec de ceapă și carne tocată, rumenit în prealabil în puțin ulei cu câteva semințe de pin).

BRIQUATE

4 persoane – Preparare: 40 minute. Durată de coacere: 35 minute.

Ingrediente: 250 g de pastă de foietaj – 350 g de carne de vită – 1 ceapă – 2 ouă – ardei iute roșu – praf de scorișoară și ghimbir – pătrunjel – coriandru – hasmațuchi – zahăr – 60 g de unt – ulei de măsline

1. Montați grila de 4,7 mm pe tocător. Tăiați ceapa în 8, apoi treceți-o prin tocător. Încălziți 4 linguri de ulei de măsline într-o tigaie, apoi adăugați ceapa. Prăjiți-o la foc mic fără a o lăsa să se aurească. Dați deoparte.
2. Tocați carnea de vită. Rumeniți-o la foc mic împreună cu ceapa timp de 10 minute. Puneți deoparte.
3. Treceți ierburile aromatice prin tocător. Apoi adăugați-le în tigaie împreună cu sarea și piperul, o jumătate de

linguriță de ardei iute roșu, un vârf de ghimbir și o mică linguriță de scorțișoară.

4. Încorporați apoi ouăle bătute, amestecați, după care luați de pe foc.
5. Întindeți pasta de foietaj destul de subțire. Decupați pătrate cu latura de 10 cm. Ungeți cu unt marginile exterioare.
6. Garnisiți fiecare pătrat cu o mică linguriță de umplutură. Rulați-le apoi lipind extremitățile.
7. Prăjiți briouatele în uleiul fierbinte. Odată prăjite, lăsați-le câteva momente pe hârtie absorbantă. Presărați pe ele zahăr și scorțișoară. Se servesc foarte calde.

Variantă:

Montați grila de 4,7 mm pe tocător. Tăiați ceapa în 8. Tocați puțină carne și treceți ceapa prin tocător.

Mai introduceți puțină carne, apoi ierburile aromatice și la sfârșit restul de carne. Bateți ouăle și încorporați-le în umplutură împreună cu sarea și piperul, o jumătate de linguriță de ardei iute roșu, un vârf de ghimbir și o mică linguriță de scorțișoară. Omogenizați amestecul. Repetați pașii 5-7.

PIROJKI (mici pateuri cu pește)

4 persoane - Preparare: 25 minute. Durată de coacere: 10-15 minute.

Ingrediente: 250 g de pastă de foietaj - 300 g de pește fiert sau somon afumat - 2 ouă tari - 1 buchețel de mărar - 2 cepe - 100 g de unt sărat, cubulețe - ulei

1. Montați grila de 4,7 mm pe tocător. Tăiați cepele în 8 și treceți-le prin tocător. Rumeniți-le la foc mic într-o tigană cu puțin ulei. Puneți deoparte.
2. Tocați puțin pește, apoi introduceți ceapa prăjită, untul, mărarul și la sfârșit treceți prin tocător și restul de pește.
3. Întindeți pasta de foietaj destul de subțire, decupați din ea discuri cu un pahar sau un bol (mai mare sau mai mic).
4. Preîncălziți cuptorul la 210°C (t.6).
5. Garnisiți fiecare disc cu puțină umplutură și împăturiți pasta lipind marginile.
6. Lăsați-le să se rumenească la cuptor timp de 10-15 minute.

Chifteluțe din carne de vită

4 persoane - Preparare: 20 minute. Durată de coacere: 10-15 minute.

Ingrediente: 1 kg de carne de vită - 1 ceapă - 1 cățel de usturoi - 2 felii de pâine neagră înmuiate în lapte - 2 ouă - 1 cartof - făină - sare, piper

1. Pentru această rețetă, alegeți bucăți de carne de vită cu conținut scăzut de substanțe grase. Treceți carnea prin tocătorul de carne împreună cu feliile de pâine.
2. Feliați ceapa cu ajutorul conului pentru feliere subțire (K3b) și radeți usturoiul și cartoful cu ajutorul conului pentru radere (K3a).
3. Amestecați carnea tocată cu pâinea, ceapa feliată, usturoiul și cartoful.
4. Încorporați în tocătură ouăle, piperul negru măcinat și sarea și formați chifteluțele.
5. Rulați chifteluțele prin făină și prăjiți-le în ulei.

Budincă de cartofi la cuptor

4 persoane - Preparare: 30 minute. Durată de coacere: 45 minute.

Ingrediente: 400 g de carne tocată - 1 kg de cartofi - 2 ouă - 2 pahare cu lapte - 1 cățel de usturoi - 1,5 linguri de unt - 2 linguri de ulei - sare, piper

1. Curățați, spălați și uscați cartofii. Tăiați-i cu ajutorul conului pentru feliere subțire (K3b).
2. Treceți carnea de vită prin tocător și prăjiți carnea tocată într-o tigană în ulei timp de 5 minute.
3. Frecați cu usturoi interiorul unui vas, apoi ungeți-l cu o parte din unt.
4. Așezați în straturi succesive două treimi din cartofi și carnea tocată, sărați, piperați, apoi adăugați restul de cartofi.
5. Bateți ouăle cu laptele cald și turnați acest amestec peste cartofi. Adăugați restul de unt. Lăsați să se coacă la cuptor timp de 45 de minute la temperatură medie.

Mere gratinate cu migdale

4 persoane - Preparare: 40 minute. Durată de coacere: 30 minute.

Ingrediente: 6 mere - 60 g de zahăr brun nerafinat - 50 g de unt - 50 g de migdale întregi - 20 cl de smântână - 1 linguriță de scorțișoară

Curățați merele de coajă, scoateți-le sâmburii și tăiați-le în sferturi. Tăiați felii subțiri cu ajutorul conului pentru feliere subțire (K3b) și rumeniți-le în 30 g de unt. Ungeți ușor cu unt un vas de gratinat și așezați pe fund merele caramelizate. Măcinați migdalele cu ajutorul conului pentru răzuire (K3c). Într-o salatiară, amestecați pudra de migdale, smântâna și vanilia. Turnați amestecul obținut peste mere și pudrați cu zahăr brun nerafinat. Puneți vasul la cuptor la 160°C.

OPIS:

- A Pokretna glava mašine za mljevenje
 - A1 Kućište od aluminijuma
 - A2 Dio sa navojima
 - A3 Samooštreći noževi od inoxa
 - A4 Rešetke
 - A4a Rešetka sa malim otvorima (2,4 mm) (*ovisno o modelu*)
veoma sitno mljevenje
 - A4b Rešetka sa otvorima srednje veličine (4,7 mm)
za sitno mljevenje
 - A4c Rešetka sa velikim otvorima (8 mm)
za krupno mljevenje
 - A5 Matica od aluminijuma
- B Odvojivi pladanj
- C Potiskivač za meso
- D Spremnik za odlaganje nastavaka
- E Tipka za otvaranje glave mašine za mljevenje
- F Tipka Start / Stop (0-1)
- G Tipka „Nazad“ (za trenutno obrnuto kretanje)
- H Blok motora
- I Kalup za čevape
 - I1 Završetak zvjezdastog dijela
 - I2 Prsten
- J Kalup za kobasice (*ovisno o modelu*)
 - J1 Dio za centriranje dijela sa navojem
 - J2 Kalup
- K Nastavak za sjeckanje povrća (*ovisno o modelu*)
 - K1 Držač nastavaka / cijev
 - K2 Potiskivač
 - K3 Nastavci
 - K3a Nastavak za rendanje
 - K3b Nastavak za sjeckanje
 - K3c Nastavak za struganje

SAVJETI ZA SIGURNU UPOTREBU:

- Pažljivo pročitajte upute za upotrebu prije prve upotrebe aparata: Moulinex nije odgovoran ni na koji način ukoliko je riječ o upotrebi koja nije u skladu sa uputama za upotrebu.
- Nije predviđeno da ovaj aparat koriste osobe (uključujući i djecu) sa smanjenim fizičkim, senzornim ili mentalnim sposobnostima, kao ni osobe koje ne posjeduju iskustvo i znanje za upotrebu ovog aparata, osim u slučaju da ih nadgleda osoba odgovorna za njihovu sigurnost, nadzor ili da prethodno dobiju upute za upotrebu ovog aparata.
- Poželjno je nadzirati djecu kako biste bili sigurni da se ne igraju s aparatom.
- Provjerite da li napon na kojem radi vaš aparat aparatodgovara vašem električnom napajanju. Svaka greška pri priključivanju aparata aparata poništava garanciju.

- Vaš aparat je namijenjen isključivo za upotrebu u kuhinji u domaćinstvu, u kući i pod nadzorom.
- Koristite aparat na ravnoj, čistoj i suhoj površini.
- Nikada ne dopustite da duga kosa, šal ili kravata vise iznad nastavaka koji su u pokretu.
- Isključite aparat iz struje čim prestanete da ga koristite, kada ga čistite ili tokom stavljanja ili skidanja nastavaka.
- Ne koristite aparat ako ne funkcioniše ispravno ili ako je oštećen. U tom slučaju, obratite se ovlaštenom servisu

- Moulinex (vidjeti spisak u servisnoj knjižici).
- Bilo kakvu intervenciju, osim čišćenja i uobičajenog održavanja, od strane klijenta mora da izvrši ovlašteni servis Moulinex.
 - Ako je oštećen kabal, ne koristite aparat. Kako bi se izbjegla bilo kakva opasnost, neka ga zamijeni ovlašteni servis Moulinex (vidjeti spisak u servisnoj knjižici).
 - Ne stavljajte aparat, kabal za napajanje ili utikač u vodu ili bilo drugu tečnost.
 - Ne ostavljajte kabal za napajanje na dohvata djece.
 - Kabal za napajanje nikada ne smije biti u blizini ugrijanih dijelova ili u kontaktu sa njima, pored izvora toplote ili oštih ivica.
 - Radi lične sigurnosti, koristite samo Moulinex nastavke i rezervne dijelove koji odgovaraju vašem aparatu.
 - Ne koristite ovaj aparat duže od 14 minuta.
 - Radi vaše sigurnosti, ovaj aparat je u skladu sa standardima i propisima koji se primjenjuju:
 - Direktiva o niskom naponu
 - Elektromagnetna kompatibilnost
 - Zaštita životne sredine
 - Materijali koji dolaze u kontakt sa namirnicama.

PRIJE PRVE UPOTREBE:

Operite sve nastavke vodom i sapunom. Isperite i odmah ih pažljivo obrišite.

Rešetka i nož moraju ostati masni. Premažite ih uljem.

Nemojte okretati ovaj aparat na prazno ako rešetke nisu podmazane.

PAŽNJA: Oštrice nastavaka su izuzetno oštre, rukujte nastavcima oprezno i uvijek ih hvatajte za plastični dio.

UPOTREBA:

GLAVA MAŠINE ZA MLJEVENJE (A):

Montiranje glave mašine za mljevenje (shema 1.1 i 1.2)

Uhvatite kućište A1 za cijev postavljajući najširi otvor prema gore. Ubacite potom dio sa navojem A2 (prvo duža osovinu) u kućište A1.

Zakačite nož od inoksa A3 na kratku osovinu koja prelazi dio sa navojem A2 postavljajući ivice za rezanje prema vani. Postavite rešetku koju želite na nož A3, vodeći računa da zarezi dijela koji se naslađuje odgovaraju nasadnom dijelu kućišta A1.

Zavrnite maticu A5 (bez blokiranja) do kraja.

Postavljanje glave mašine za mljevenje na aparat (shema 2):

- Naspram isključenog bloka motora H, postavite glavu mašine za mljevenje tako da je cijev nagnuta na desnu stranu. Neka se 2 odgovarajuća dijela glave mašine za mljevenje poklope sa 2 zarezima na bloku motora.
 - Postavite odvojivi pladanj B u odgovarajuće usjeko cijevi glave mašine za mljevenje.
- Uključite aparat, spreman je za upotrebu.

Upotreba:

Pripremite cijelu količinu namirnica koje ćete sjeckati, uklonite kosti, dijelove hrskavice i žile.

Izrežite meso na komade (otprilike 2cm X 2cm).

Stavite posudu ispod glave mašine za mljevenje.

Pritisnite položaj „I“ tipke start/stop F kako bi aparat počeo sa radom.

Stavite komade mesa na pladanj B i pustite ih da kliznu jedan po jedan u cijev pomoću potiskivača C.

Ne gurajte namirnice nikada prstima ili bilo kojim drugim predmetom u cijev.

Da biste dobili odgovarajuću smjesu za pripremu čevapa ili čufteta, sameljite meso 2 do 3 puta u glavi mašine za mljevenje dok smjesa ne postane onakva kakvu želite.

Trik:

Na kraju postupka, možete staviti nekoliko komadića hljeba kako bi izašli svi ostaci smjese koju ste samljeli.

Šta uraditi ako se namirnica zaglavi ? (shema 3)

Zaustavite mašinu za mljevenje pritiskom na položaj „0“ tipke start/stop F.

Pritisnite zatim nekoliko sekundi tipku „Nazad“ G kako biste izbacili namirnice.

Pritisnite položaj „I“ tipke start/stop F kako biste nastavili mljevenje.

Važno: sačekajte da se mašina u potpunosti zaustavi prije nego što pokrenete komandu „Start“ F ili komandu

„Nazad“ G.

NASTAVAK ZA ČEVAPE (I)

Montaža (shema 4):

Stavite dio sa navojem A2 u kućište A1 glave mašine za mljevenje. Postavite završetak zvjezdastog dijela I1 tako da zarezi odgovaraju usjecima kućišta A1.

Postavite prsten I2 na završetak zvjezdastog dijela, a potom zavrnite navrtku A5 do kraja.

Postavite tako montiranu glavu na blok motora kao što je i naznačeno na shemi 4.

Napomena: ovaj nastavak se koristi bez rešetke i bez noža.

KALUP ZA KOBASICE (J) (ovisno o modelu)

Ovaj nastavak koji se postavlja na glavu mašine za mljevenje omogućava vam da pravite sve vrste kobasica koje možete da začinite prema svom ukusu.

Montaža (shema 5)

Stavite dio sa navojem A2 u kućište A1 glave mašine za mljevenje. Postavite dio za centriranje dijela sa navojem J1 tako da zarezi odgovaraju usjecima kućišta A1. Zatim stavite kalup J2 potom navrtku A5 i zavrnite do kraja. Stavite tako montiranu glavu mašine za mljevenje na blok motora onako kako je to i naznačeno na shemi 5.

Napomena: ovaj nastavak se koristi bez rešetke i bez noža. Dio za centriranje dijela sa navojem omogućava da dio sa navojem ostane u datom položaju tokom pripreme po receptu.

Upotreba:

Važno: ovaj dodatak se koristi tek pošto sameljete meso, dodate začine i sve dobro izmiješate.

Pošto ste ostavili crijevo da se natopi u mlakoj vodi kako bi ponovo bilo elastično, navucite ga na kalup J2 i ostavite otprilike nekih 5 cm.

Napunite smjesom koju meljete cijev kućišta A1 glave mašine za mljevenje A, uključite i pritisnite potiskivačem C kako biste smjesu gurnuli do kraja kalupa.

Zaustavite aparat.

Napravite čvor sa onih 5 cm crijeva koje ste ostavili. Ponovo gurnite čvor do kraja kalupa kako biste izbjegli sakupljanje zraka u crijevu.

Pustite uključite i nastavite da dodajete mljevenu smjesu. Kontrolišite kako se crijevo puni. Kako biste izbjegli da se crijevo previše razvuče, nemojte praviti prevelike kobasice.

Napomena: ovo se radi lakše u dvoje, jedna osoba može puniti mljevenom smjesom, a druga držati crijevo koje se puni.

Postići ćete željenu dužinu kobasica ako hvatate i okrećete crijevo s jednog mjesta na drugo.

Da biste dobili kvalitetnu kobasicu, vodite računa da izbjegnute nakupljanje zraka tokom punjenja i napravite kobasice od 10 do 15 cm (razdvojite kobasice vezujući ih i praveći pomoću njih čvor).

NASTAVAK ZA REZANJE POVRĆA (K) (ovisno o modelu)

Montaža (shema 6):

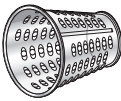

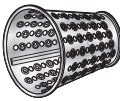
Naspram isključenog bloka motora, stavite dio K1 nagnut u desnu stranu, postavite ga tako da se njegovi odgovarajući dijelovi poklope sa otvorima bloka motora H. Postavite preostali duži dio K1 u osovinu bloka motora H. Povucite dio K1 na lijevu stranu do mehanizma za fiksiranje.

Upotreba:

- Izaberite nastavak koji odgovara željenoj upotrebi.
- Stavite izabrani nastavak u otvor na prednjem dijelu K1, nastavak mora biti ispravno postavljen do kraja dijela koji služi za povlačenje (slika 7).
- Uključite uređaj.
- Pritisnite jednom ili dva puta na dugme start/stop F kako biste blokirali nastavak (slika 8),
- Pustite u pogon, a zatim ubacite namirnice kroz cijev dijela K1 (slika 9) i gurnite namirnice pomoću potiskivača K2 (slika 10).
- Da biste promijenili nastavak, sačekajte da se on potpuno zaustavi, pritisnite jednu sekundu na prekidač G nazad, vaš nastavak će automatski ispasti (slika 11).

PAŽNJA: Prije upotrebe, uvjerite se da li je nastavak pravilno postavljen na dio koji ga vuče.

Koristite dodatak koji odgovara tipu namirnice:

	(*)Nastavak za rendanje K3a	(*)Nastavak za sjeckanje K3b	(*)Nastavak za ribanje K3c
			
Mrkva	X	X	
Tikvice	X	X	
Krompir	X	X	
Krastavac	X	X	
Paprika	X	X	
Luk		X	
Cvekla		X	
Kupus (bijeli/crveni)		X	
Jabuke		X	
Crna rotkva	X	X	
Celer	X		
Banana		X	
Parmezan			X
Grijer	X	X	
Čokolada	X		X
Suhi hljeb/dvopek			X
Lješnjaci/orasi/bademi			X
Kokosov orah			X

(*) ovisno o modelu

Savjeti za postizanje dobrih rezultata:

Sastojci koje koristite moraju biti tvrdi kako biste postigli zadovoljavajuće rezultate i izbjegli svako nagomilavanje namirnica u dijelu za mljevenje. Nemojte koristiti aparat za rendanje ili rezanje suviše tvrdih namirnica kao što su šećer ili komadići mesa.

Izrežite namirnice kako biste ih lakše ubacili u cijev dijela za mljevenje.

ČIŠĆENJE:

- Isključite uvijek aparat prije čišćenja bloka motora H.
- Nemojte uranjati blok motora, nemojte ga stavljati pod vodu. Čistite blok motora pomoću vlažne krpe. Sušite ga pažljivo.

1) Dodaci za mašinu za mljevenje mesa:

- Otkaçite glavu ili dodatak za rezanje povrća pritiskom na tipku E.
- Okrenite glavu mašine za mljevenje A na desnu stranu i povucite prema sebi da je odvojite od bloka motora H.
- Da biste demontirali glavu mašine za mljevenje mesa A, skinite potiskivač C i poklopac B, odvrnite maticu A5, povucite rešetku A4, nož A3 i dio sa navojem A2.
- Rukujte dijelovima za rezanje oprezno.
- Operite sve dijelove toplom vodom i sapunicom, isperite i pažljivo obrišite.
- Ne stavljajte glavu mašine za mljevenje A u mašinu za suđe (to jest kućište A1, dio sa navojem A2, maticu A5, nož A3, i rešetke A4).

2) Nastavci za rezanje povrća (ovisno o modelu):

- Dio (K1), potiskivač (K2), dodaci(K3a, K3b, K3c) mogu se staviti u mašinu za suđe u korpu na vrhu uz korištenje programa „ECO“ ili „NE MNOGO PRLJAVO“.
- Oprezno rukujte dodacima jer su sječiva dodataka izuzetno oštra.
- U slučaju da namirnice, kao što je na primjer mrkva, oboje plastične dijelove, istrljajte ih krpom natopljenom jestivim uljem, a zatim ih očistite na uobičajeni način.

ODLAGANJE:

Rešetke, nož, dio za centriranje, dodaci za čevape i kobasice (I1, I2 i J1, J2) mogu se odložiti u zadnji dio aparata (odjeljak za odlaganje D).

AKO VAŠ APARAT NE RADI, ŠTA DA RADITE?

Provjerite da li je priključen u struju.

Vaš aparat još uvijek ne radi, obratite se ovlaštenom Moulinex servisu.

(vidjeti spisak u servisnoj knjižici).

ELEKTRIČNI ILI ELEKTRONSKI APARATI KOJIMA JE ISTEKAO ROK TRAJANJA

Učestvujmo u zaštiti životne okoline!



- 1 Vaš aparat sadrži mnogobrojne vrijedne materijale koji se mogu reciklirati.
- 2 Odnosite ga na mjesto na kojem se vrši njihovo sakupljanje ili, ako takvo mjesto ne postoji, u ovlašteno servisno mjesto kako bi bio podvrgnut odgovarajućoj preradi.

RECEPTI

Napomena: Za recepte koji zahtijevaju veću snagu, vrijeme korištenja aparata ne smije preći 20 s.

Primjer recepta (sa rešetkom sa otvorima srednje veličine 4,7 mm A4b):

ČEVAPI „BI LABAN“ (čevapi sa jogurtom)

6 osoba - Priprema: 1 sat Treba da stoje 1 sat u frižideru

Sastojci za smjesu za čevape: 600 g mesa - 300 g bulgura (lomljene pšenice) - so

Sastojci za sos: 1 kg jogurta - 1 vezica korijandera - 4 češnja bijelog luka - 3 kašike supe od kukuruznog skroba - so, biber

1. Izrežite meso na 4 dijela, postavite rešetku 4,7 mm na mašinu za mljevenje. Sameljite meso dodajući bulgur. Posolite i ostavite smjesu na hladnom mjestu da odstoji 1 sat.
2. Da biste oblikovali kuglice od mesa: stavite dodatak za čevape na mašinu za mljevenje. Ponovo sameljite smjesu i zatvorite krajeve kuglica vlažnim prstima.
3. Priprema sosa: operite vezicu korijandera, stavite ga u papir za upijanje i odvojite listiće. Očistite i izgnječite bijeli luk i kratko ga ispržite sa korijanderom u tavi 1 do 2 minute na blagoj vatri. Sklonite sa strane.
4. Umotite jogurt i kukuruzni škrob, zatim posolite i dodajte biber. Sipajte smjesu u šerpu kroz sitnu cjediljku. Pustite da smjesa prokuha, a zatim smanjite vatru. Sve vrijeme miješajte da se jogurt ne bi zgrušao.
5. Dodajte beli luk i korijander. Poširajte kuglice čevapa 10 minuta.

Varijanta: Kuglice možete i puniti (mješavinom crvenog luka i mljevenog mesa, prethodno proprženom u malo ulja i sa nekoliko pinjola).

ROLNICE

4 osobe - Priprema: 40 min. Vrijeme pečenja: 35 min.

Sastojci: 250 g lisnatog tijesta - 350 g junećeg mesa - 1 crveni luk - 2 jaja - crvena paprika - cimet i đumbir u prahu - peršun - korijander - krasuljica - šećer - 60 g maslaca - maslinovo ulje

1. Postavite rešetku od 4,7 mm na mašinu za mljevenje. Izrežite luk na 8 dijelova i zatim ga stavite u mašinu za mljevenje. Ugrijte 4 velike kašike maslinovog ulja u dubljoj tavi, zatim dodajte luk. Pustite ga da omekša na blagoj vatri, a da ne potamni. Sklonite sa strane.
2. Sameljite juneće meso i pržite ga sa lukom 10 minuta da malo potamni. Sklonite.
3. Sameljite začine u mašini za mljevenje, a zatim ih dodajte u dublju tavu, dodajte so i biber, pola kašičice mljevene paprike, prstohvat đumbira i kašičicu cimeta.
4. Spojite sa umućenim jajima, miješajte, a zatim prekinite prženje.
5. Razvucite lisnato tijesto vrlo tanko. Izrežite kvadrate 10 x 10 cm, namažite ivice maslacem.
6. Na svaki kvadrat stavite kašičicu fila. Uvijte ih u rolnice i pritisnite na krajevima.
7. Pržite rolnice u vrelom ulju. Kada su ispržene, ostavite ih na papiru za upijanje nekoliko trenutaka. Pospite šećerom i cimetom. Poslužite toplo.

Varijanta:

Postavite rešetku 4,7 mm na mašinu za mljevenje. Izrežite crveni luk na 8 dijelova. Sameljite malo mesa, sameljite luk u mašini.

Dodajte malo mesa, zatim začine i najzad ostatak mesa. Umotite jaja i dodajte u fil, posolite i pobiberite, sipajte pola kašičice mljevene paprike, prstohvat đumbira i kašičicu cimeta. Izmiješajte smjesu. Ponovite korake 5 do 7.

PIROŠKE

(riblje paštete)

4 osobe - Priprema: 25 min. Vrijeme pečenja: 10 - 15 min.

Sastojci: 250 g lisnatog testa - 300 g pečene ribe ili dimljenog lososa - 2 kuhana jaja - 1 vezica mirođije - 2 crvena luka - 100 g slanog maslaca, u kockicama - ulje

1. Postavite rešetku 4,7 mm na mašinu za mljevenje. Izrežite crveni luk na 8 dijelova, sameljite luk u mašini. Ispržite na blagoj vatri u dubljoj tavi sa malo ulja. Sklonite.
2. Sameljite malo ribe, dodajte isprženi crveni luk, maslac, mirođiju i na kraju sameljite ostatak ribe.
3. Razvucite tanak sloj lisnatog tijesta, čašom ili zdjelicom izvadite krugove (manje ili veće).
4. Zagrijte rernu na 210°C (6).
5. Stavite malo fila na svaki krug i savijte tijesto pritisnuvši ivice.
6. Peći u rerni 10 do 15 minuta da porumene.

Kuglice od junećeg mesa

4 osobe - Priprema 20 min. Vrijeme pečenja: 10 - 15 min.

Sastojci: 1 kg junećeg mesa - 1 crveni luk - 1 češanj bijelog luka - 2 kriške crvenog kruha umočenog u mlijeko - 2 jaja - 1 krompir - brašno - so, biber

1. Za ovaj recept odaberite komade nemasnog junećeg mesa. Sameljite meso u mašini za mljevenje sa kriškama kruha.
2. Isjeckajte crveni luk pomoću dodatka za sjeckanje (K3b) i izrendajte krompir pomoću dodatka za rendanje (K3a).
3. Spojite mljeveno meso, kruh, isjeckani luk i krompir.
4. Dodajte jaja u smjesu, crni mljeveni biber i so i oblikujte kuglice.
5. Uvaljajte kuglice u brašno i pržite ih na ulju.

Puding od krompira pripremljen u rerni

4 osobe - Priprema 30 min. Vrijeme pečenja: 45 min.

Sastojci: 400 g mljevenog mesa - 1 kg krompira - 2 jaja - 2 čaše mlijeka - 1 češanj bijelog luka - 1,5 velika kašika maslaca - 2 velike kašike ulja - so, biber

1. Očistite, operite i osušite krompir. Izrežite ga pomoću dodatka za sjeckanje (K3b).
2. Sameljite juneće meso u mašini za mljevenje i pržite mljeveno meso u tavi na ulju 5 minuta.
3. Istrljajte bijelim lukom unutrašnjost tanjira i podmažite ga sa malo maslaca.
4. Redajte u nekoliko slojeva 2/3 krompira i mljeveno meso, posolite, pobiberite, a zatim dodajte ostatak krompira.
5. Umutite jaja sa toplim mlijekom i njima prelijte krompir. Dodajte ostatak maslaca. Pecite u rerni 45 minuta na umjerenoj temperaturi.

Gratinirane jabuke sa bademima

4 osobe - Priprema 40 min. Vrijeme pečenja: 30 min.

Sastojci: 6 jabuka - 60 g smeđeg šećera - 50 g maslaca - 50 g cijelih badema - 20 cl pavlake - 1 kašičica cimeta
Oljuštite, očistite od sjemenki i izrežite jabuke na četvrtine. Izrežite u listove pomoću nastavka za sjeckanje (K3b) i pržite sa 30 g maslaca. Gratinirano jelo premažite komadićem maslaca i rasporedite karamelizirane jabuke na dno. Izmrvite bademe pomoću nastavka za nastavak (K3c). Izmiješajte izmrvljeni badem, pavlaku i cimet u zdjeli za salatu. Prelijte jabuke ovom smjesom i pospite smeđim šećerom. Pecite jelo na 160°C.




MOULINEX INTERNATIONAL GUARANTEE

Date of purchase: / Date d'achat / Fecha de compra /
Data da compra / Data d'acquisto / Kaufdatum / Aankoopdatum / Købsdato / Inkøpsdatum /
Kjøpsdato / Ostopäivä / Data zakupu / Data vânzării / Įsigijimo data/ Ostukuupäev / Datum nakupa /
Sorozatszám / Dátum nákupu / Pirkuma datums / Datum Kupovine / Datum kupnje / Data
cumpărării / Datum nákupu / Tarikh pembelian / Tanggal pembelian / Ngày mua hàng/ Satin alma
tarihi / Дата продаж / Дата продажу / Дата на закупуване / Датум на купување / Сатылган
мерзими / Ημερομηνία αγοράς/ Ψαδάστηρη ορη /วันที่ซื้อ / 購買日期/購入日/구입일자/ تاريخ
خرید/ تاريخ الشراء

Product reference: / Référence du produit / Referencia del
producto / Nome do produto / tipo de produto / Typnummer des Gerätes / Artikelnummer van het
apparaat / Referencenummer / Produktreferens / Artikelnummer / Tuotenumero / referenčja
produktu / Model / Gaminio numeris / Toote viitenumber / Tip aparat / Vásárlás kelte / Typ
výrobku / Produkta atsauces numurs / Model proizvoda / Oznaka proizvoda / Cod produs / Produk
rujukan / Referensi produk / Mã sản phẩm/ Úrün kodu / Модель / Модель / Модел на уреда /
Модели / Κωδικός προϊόντος / Уηηηη / รุ่นผลิตภัณฑ์ / 產品模型 / 製品レファレンス番号 / 제품명/
مرجع کامل محصول / مرجع المنتج الكامل

Retailer name & address:
/ Nom et adresse du vendeur / Nombre y dirección del minorista / Nome e endereço do revendedor
/ Nome e indirizzo delnegozio / Name und Anschrift des Händlers / Naam en adres van de dealer /
Forhandler navn & adresse / Återförsäljarens namn och adress / Forhandler navn og adresse /
Jälleenmyyjän nimi ja osoite / nazwa i adres sprzedawcy / Numele și adresa vânzătorului /
Parduotuvės pavadinimas ir adresas / Műűja kauplus ja aadress / Naziv in naslov trgovine /
Tipusszám / Názov a adresa predajcu / Veikala nosaukums un adrese / Naziv i adresa maloprodaje /
Naziv i adresa prodavca / Naziv i adresa prodajnog mjesta / Nume și adresă vânzător / Název a
adresa prodejece / Nama dan alamat peruncit / Nama Toko Penjual dan alamat / Tên và địa chỉ cửa
hàng bán/ Saticı firmanın adı ve adresi / Название и адрес продавца / Назва i адреса продавця /
Търговки обект / Назив и адреса на продавницата / Сатушының аты және мекен-жайы /
Επωνυμία και διεύθυνση καταστήματος / Ψαδάστηρηι υπψαλητηρ η ηαυηηη /
ชื่อและที่อยู่ของห้าง/ร้านที่ซื้อ / 零售商的店名和地址/販売店の名前、住所/소매점 이름과 주소/
نام وادرس خرده فروش / اسم بائع التجزئة و عنوانه

Distributor stamp /Cachet distributeur /Sello del distribuidor /
Carimbo do revendedor / Timbro del negozio / Händlerstempel / Stempel van de dealer /
Forhandler stempel / Återförsäljarens stämpel / Forhandler stempel / Jälleenmyyjän leima / pieczęć
sprzedawcy / Ştampila vânzătorului / Antspaudas / Tempel / Žig trgovine / Eladó neve, címe/
Razitko predajcu / Zīmogs / Pečat maloprodaje/ Pečat prodavca / Pečat prodajnog mjesta / Ştampila
vânzătorului/ Razitko prodejece/ Cap peruncit / Cap dari Toko Penjual / Cửa hàng bán đóng dấu/
Saticı Firmanın Kaşesi / Печать продавца / Печатка продавця / Печат на търговския обект /
Печат на продавницата / Сатушының мөрі / Σφραγίδα καταστήματος / Ψαδάστηρηι ηήηηηη /
ตราประทับของห้าง/ร้านที่ซื้อ / 零售商的蓋印/販売店印/소매점 직인/ ختم بائع التجزئة / مهر خرده
فروش

			
ALGERIA	GRUPE SEB EXPORT Chemin du Petit Bois, Les 4M 69130 EULLY - FRANCE	213-41-28-18-53	1 year
ARGENTINA	GRUPE SEB ARGENTINA S.A. Billinghurst 1833 3° C142SDTK Capital Federal Buenos Aires	0800-122-2732	2 años
ՀԱՅԱՍՏԱՆ ARMENIA	«Գրուպըր ՍԵԲ-Վուստոկ» ՓԲԸ, 119180 Մոսկվա, Ռուսաստանի Մտարմունենտի կըր., տ.14, շ.2	(010) 55-76-07	2 տարի/ years
AUSTRALIA	GRUPE SEB AUSTRALIA PO Box 7535, Silverwater NSW 2128	02 97487944	1 year
ÖSTERREICH	SEB ÖSTERREICH HmbH Campus 21 - Businesspark Wien Süd Liebermannstr. A02 702 2345 Brunn am Gebirge	01 866 70 299 00	2 Jahre
BELGIQUE / BELGIE	GRUPE SEB BELGIUM SA NV 25 avenue de l'Espérance - ZI 6220 Fleurus	32 70 23 31 59	2 ans / years
БЕЛАРУСЬ / BELARUS	ЗАО «Группа СЕБ-Восток», 119180 Москва, Россия Старомонетный пер. д. 14 стр.2	017 2239290	2 года/ years
BOSNA I HERCEGOVINA	SEB Développement Predstavništvo u BiH Vrazova 8/II 71000 Sarajevo	Info-linija za potrošače 033 551 220	2 godine
BRASIL	GRUPO SEB DO BRASIL PRODUTOS DOMESTICOS LTDA Avenida Arno, 146 Mooca 03108-900 São Paulo SP	0800-119933	1 ano
БЪЛГАРИЯ/ BULGARIA	ГРУП СЕБ БЪЛГАРИЯ ЕООД Ул. Борово 52 Г, ет. 1, офис 1, 1680 София	0700 10 330	2 години
CANADA	GRUPE SEB CANADA 345 Passmore Avenue Toronto, ON M1V 3N8	1-800-418-3325	1 year
CHILE	GRUPE SEB CHILE Comercial Ltda Avda. Nueva Los Leones 0252 Providencia, Santiago	+56 2 232 77 22	2 años
COLOMBIA	GRUPE SEB COLOMBIA Apartado Aereo 172, Kilometro 1 Via Zipaquirá Cajica Cundinamarca	18000919288	2 años
HRVATSKA Croatia	SEB Développement S.A.S. Vodnjanska 26 10000 Zagreb	01 30 15 294	2 godine
ČESKÁ REPUBLIK / CZECH REPUBLIC	GRUPE SEB ČR spol. s r. o. Jankovcova 1569/2c 170 00 Praha 7	731 010 111	2 roky
DANMARK	GRUPE SEB NORDIC AS Tempovej 27 2750 Ballerup	44 663 155	2 år
DEUTSCHLAND	GRUPE SEB DEUTSCHLAND GmbH / KRUPS GmbH Herrnrainweg 5 63067 Offenbach	0212 387 400	2 Jahre

			
EESTI/ ESTONIA	GRUPE SEB POLSKA SP Z O.O. ul. Ostrobramska 79 04-175 Warszawa	5 800 3777	2 aastat
SUOMI / FINLAND	Grøupe SEB Finland Kutojantie 7 02630 Espoo	09 622 94 20	2 Vuotta
FRANCE Inclus Martinique, Guadeloupe, Réunion & St. Martin	GRUPE SEB France SAS Place Ambroise Courtois 69355 Lyon Cedex 08	09 74 50 10 14	1 an
GREECE / ΕΛΛΑΔΑ	SEB GROUPE ΕΛΛΑΔΟΣ Α.Ε. Οδός Φραγκοκκλησιός 7 Τ.Κ. 151 25 Παράδεισος Αμρουσίου	2106371251	2 χρόνια
HONG KONG	SEB ASIA Ltd. Room 901, 9/F, North Block, Skyway House 3 Sham Mong Road, Tai Kok Tsui, Kowloon	852 8130 8998	1 year
MAGYARORSZÁG/ Hungary	GRUPE SEB CENTRAL-EUROPE Kft. Tavíro köz 4 2040 Budaörs	(1) 8018434	2 év
INDONESIA	Groupe SEB Indonesia (Representative office) Sudirman Plaza, Plaza Marein 8th Floor JL Jendral Sudirman Kav 76-78, Jakarta 12910, Indonesia	+62 21 5793 6881	1 year
ITALIA	GRUPE SEB ITALIA S.p.A. Via Montefeltro, 4 20156 Milano	1 99 207 892	2 anni
JAPAN	GRUPE SEB JAPAN Co. Ltd. 1F Takanawa Muse Building, 3-14-13, Higashi Gotanda, Shinagawa-Ku, Tokyo 141-0022	0570-077772	1 year
ҚАЗАҚСТАН KAZAKHSTAN	«Группа СЕБ-Восток» ЖАҚ, 119180 Мәскеу, Ресей Старомонетный тұйық көш, 14-үй, 2-құрылыс	727 378 39 39	2 жыл / years
KOREA	(유)그룹 세브 코리아 서울시 종로구 서린동 88 서린빌딩 3층 110-790	1588-1588	1 year
LATVJA / LATVIA	GRUPE SEB POLSKA SP Z O.O. ul. Ostrobramska 79 04-175 Warszawa	6 716 2007	2 gadi
LIETUVA/ LITHUANIA	GRUPE SEB POLSKA SP Z O.O. ul. Ostrobramska 79 04-175 Warszawa	6 470 8888	2 metai
MACEDONIA	Groupe SEB Bulgaria EOOD Office 1, floor 1, 52G Borovo St., 1680 Sofia - Bulgaria ГРУП СЕБ БЪЛГАРИЯ ДООЕЛ Ул. Борово 52 Г, сп. 1, офис 1, 1680 София, България	(0)2 20 50 022	2 години / years
MALAYSIA	GRUPE SEB MALAYSIA SDN. BHD Lot No.C/3A/001 & 002, Block C, Kelana Sq. No.17, Jalan SS7/26, 47301 Kelana Jaya Petaling Jaya, Selangor	65 6550 8900	1 year
MEXICO	G.S.E.B. MEXICANA, S.A. de C.V. Goldsmith 38 Desp. 401, Col. Polanco Delegacion Miguel Hildalgo 11 560 Mexico D.F.	(01800) 112 8325	1 años

 : www.moulinex.com

			
MOLDOVA	ТОВ «Група СЕБ Україна» Вул. Драгоманова 31 Б, офіс 1 02068 Київ, Україна	(22) 929249	2 ani / years
NEDERLAND	GGROUPE SEB NEDERLAND BV Generatorstraat 6 3903 LJ Veenendaal	0318 58 24 24	2 jaar
NEW ZEALAND	GROUPE SEB NEW ZEALAND Unit E, Building 3, 195 Main Highway, Ellerslie, Auckland	0800 700 711	1 year
NORGE	GROUPE SEB NORDIC AS Tempovej 27 2750 Ballerup DANMARK	815 09 567	2 år
PERU	GROUPE SEB COLOMBIA Av. Camino Real N° 111 of. 805 B San Isidro - Lima - Perú	+511 441 4455	1 años
POLSKA/ POLAND	GROUPE SEB POLSKA SP Z O.O. ul. Ostrobramska 79 04-175 Warszawa	0 801 300 423 koszt jak za połączenie lokalne	2 lata
PORTUGAL	GROUPE SEB IBÉRICA SA Urb. da Matinha Rua Projectada à Rua 3 Bloco1 - 3° B/D 1900 - 796 Lisboa	808 284 735	2 anos
REPUBLIC OF IRELAND	GROUPE SEB IRELAND Unit B3 Aerodrome Business Park, College Road, Rathcoole, Co. Dublin	01 677 4003	1 year
ROMÂNIA/ ROMANIA	GROUPE SEB ROMÂNIA Str. Daniel Constantin nr. 8 010632 București	0 21 316 87 84	2 ani
РОССИЯ/ RUSSIA	ЗАО «Группа СЕБ-Восток», 119180 Москва, Россия Старомонетный пер. д.14 стр.2	495 213 32 29	2 года/ years
SRBIJA Serbia	SEB Development Antifasističke borbe 17/13 11070 Novi Beograd	060 0 732 000	2 godine
SINGAPORE	GROUPE SEB SINGAPORE Pty Ltd. 59 Jalan Pemimpin, #04-01/02 L&Y Building Singapore 577218	65 6550 8900	1 year
SLOVENSKO/ SLOVAKIA	GROUPE SEB SLOVENSKO s.r.o. Rybničná 40 831 07 Bratislava	233 595 224	2 roky
SLOVENIJA	SEB d.o.o Gregorčičeva ulica 6 2000 MARIBOR	02 234 94 90	2 leti
ESPAÑA	GROUPE SEB IBÉRICA S.A. Almogüers, 119-123, Complejo Ecoruban 08018 Barcelona	0902 31 22 00	2 años
SVERIGE	TEFAL SVERIGE SUBSIDIARY OF GROUP SEB NORDIC Truckvägen 14 A, 194 52 Upplands Väsby	08 594 213 30	2 år
SUISSE SCHWEIZ	GROUPE SEB SCHWEIZ GmbH Thurgauerstrasse 105 8152 Glattbrugg	044 837 18 40	2 ans / Jahre
TAIWAN	SEB ASIA Ltd. Taipei International Building, Suite B2, 6F-1, No. 216, Tun Hwa South Road, Sec. 2 Da-an District Taipei 106, R.O.C.	886-2-27333716	1 year

McGrp.Ru



Сайт техники и электроники

Наш сайт McGrp.Ru при этом не является просто хранилищем [инструкций по эксплуатации](#), это живое сообщество людей. Они общаются на форуме, задают вопросы о способах и особенностях использования техники. На все вопросы очень быстро находят ответы от таких же посетителей сайта, экспертов или администраторов. Вопрос можно задать как на форуме, так и в специальной форме на странице, где описывается интересующая вас техника.