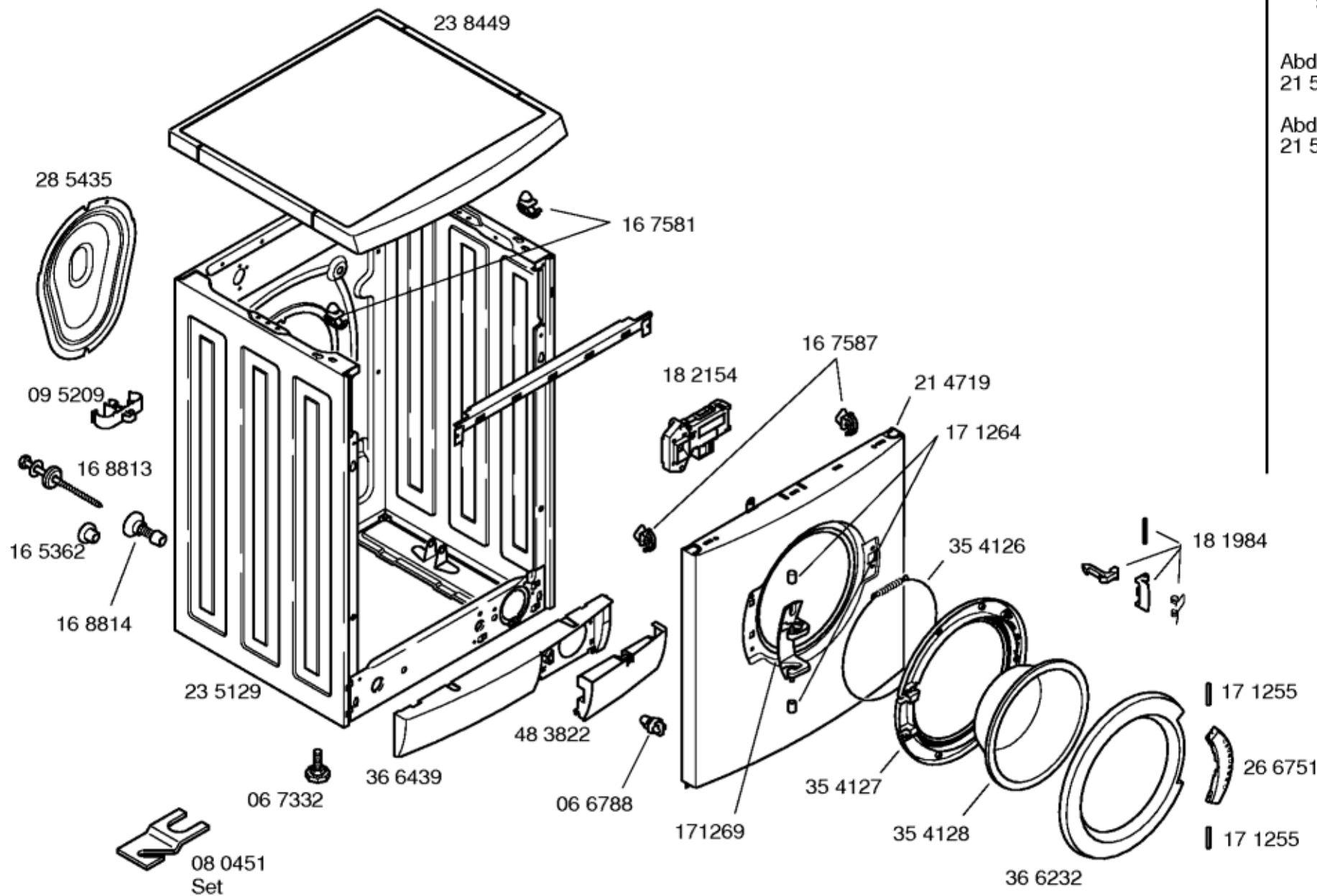


Mat. – Nr. – Konstante
3740

Gebrauchsanweisung
58 5471
es
58 5472
pt

Programmtabelle
41 9095
es
41 9096
pt

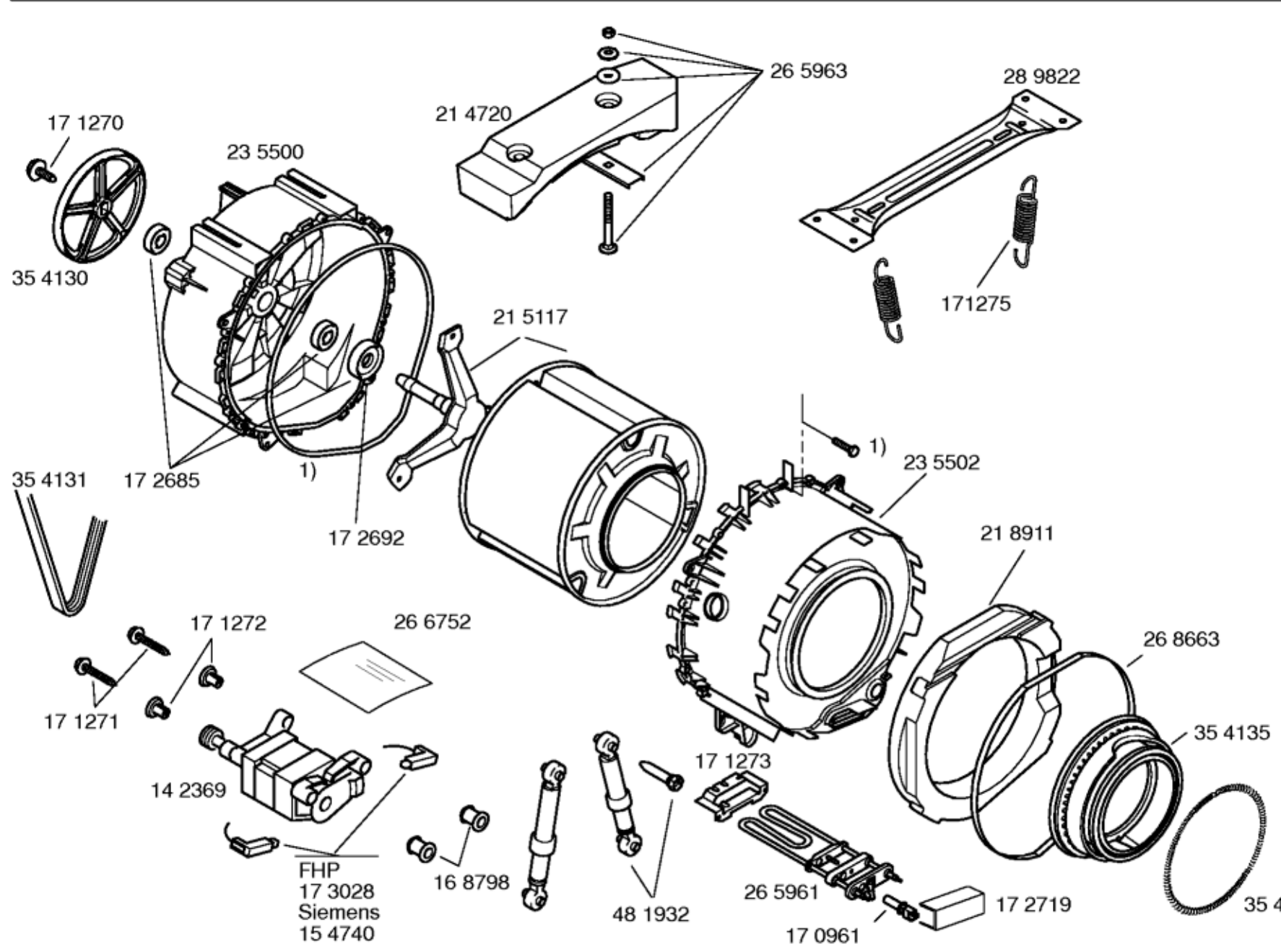
1) 43 2868



Mat. – Nr. – Konstante
3740

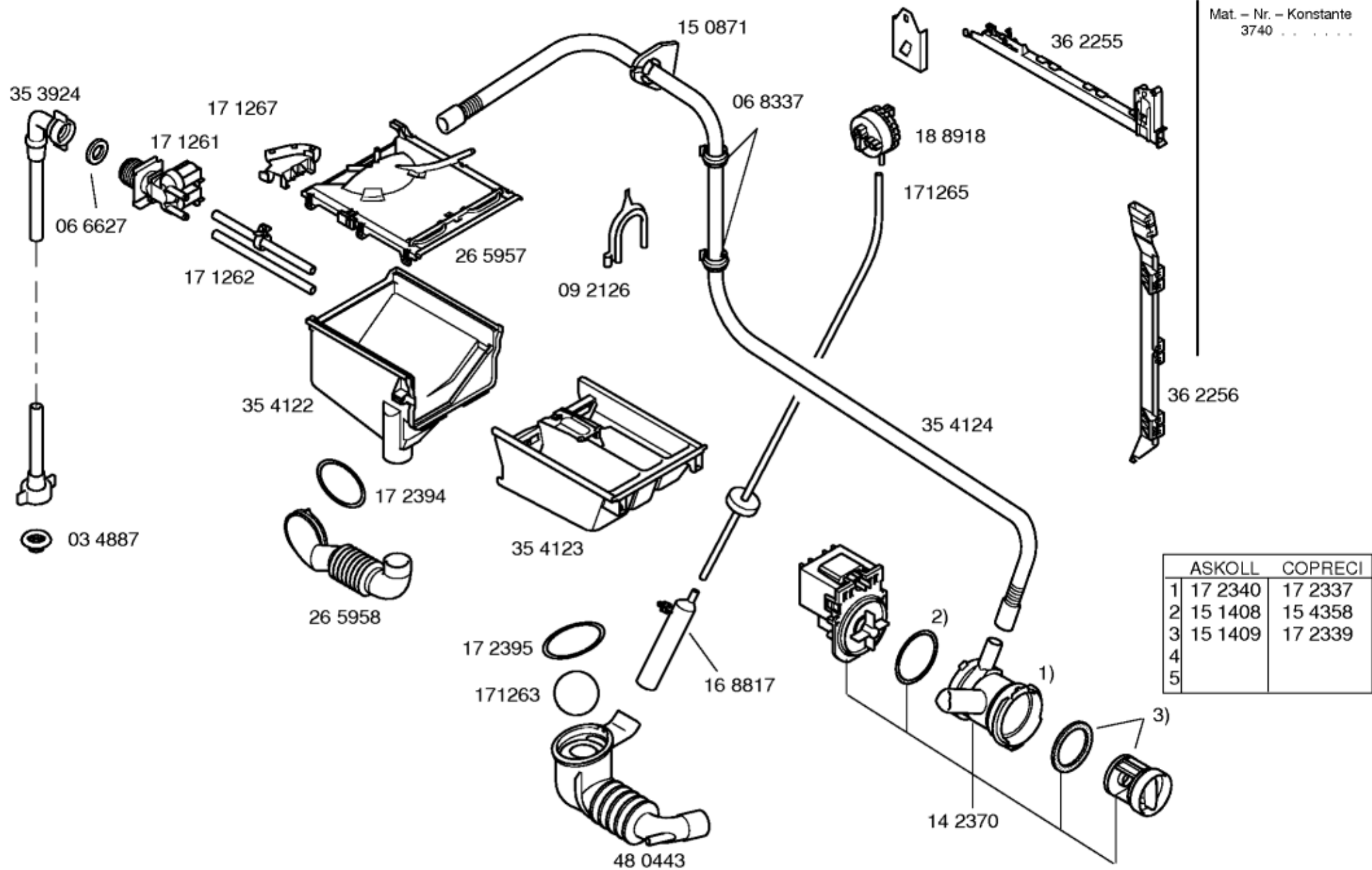
Abdeckplatte – VDE
21 5174

Abdeckplatte 3 cm.
21 5337



Mat. – Nr. – Konstante
3740

1) 26 5964



| Position ID | Spare part no. | Replacement | Description |
|--------------------|-----------------------|--------------------|--------------------------------|
| 0102 | 00266722 | 00481580 | Power cord |
| 0104 | 00171254 | 00623842 | Capacitor-interference suppre. |
| 0106 | 00172694 | | Cable harness |
| 0106 | 00172695 | 00423701 | Cable harness |
| 0106 | 00172696 | 00423704 | Cable harness |
| 0106 | 00183210 | 00423702 | Cable harness |
| 0112 | 00172697 | | Coupling |
| 0114 | 00172699 | | Knob-programme |
| 0119 | 00266748 | 00267678 | Tray handle-dispenser |
| 0200 | 00168813 | | Transit bolt |
| 0202 | 00168814 | 00600388 | Distance holder |
| 0204 | 00165362 | | Cover |
| 0206 | 00095209 | | Holder |
| 0208 | 00285435 | | Case-rear part |
| 0210 | 00235129 | | Housing |
| 0212 | 00067332 | 00621463 | Foot |
| 0214 | 00238449 | | Desk top |
| 0216 | 00167581 | | Holder |
| 0220 | 00366439 | 00796389 | Panel-base |
| 0222 | 00483822 | 00796389 | Panel-base |
| 0224 | 00182154 | | Electric lock |
| 0226 | 00167587 | 00067083 | Holder |
| 0228 | 00066788 | | Holder |
| 0230 | 00214719 | 00235567 | Front panel |
| 0232 | 00171264 | | Bushing |
| 0234 | 00171269 | | Hinge-window |
| 0236 | 00354126 | 00439671 | fastening ring |

| | | | |
|------|----------|----------|-----------------|
| 0238 | 00354127 | 00715042 | Ring |
| 0240 | 00354128 | 11020392 | Window |
| 0242 | 00366232 | | Frame-window |
| 0244 | 00266751 | | Handle |
| 0246 | 00171255 | | Axis |
| 0247 | 00181984 | 00634207 | Latch |
| 0300 | 00289822 | | Support |
| 0302 | 00171275 | 00606818 | Spring-tank |
| 0304 | 00265963 | | Fixing kit |
| 0306 | 00214720 | | Weight |
| 0308 | 00171270 | | Screw |
| 0310 | 00354130 | 11002942 | Pulley |
| 0312 | 00354131 | 00678914 | Belt-drive |
| 0314 | 00235499 | 00714215 | Tub at rear |
| 0315 | 00172686 | | Bearing set |
| 0316 | 00265964 | | Sealing |
| 0317 | 00172692 | 00613083 | Shaft seal |
| 0322 | 00218780 | 00773470 | Weight |
| 0324 | 00235501 | 00715100 | Tub |
| 0328 | 00268663 | | Clamp |
| 0330 | 00354135 | | Boot gasket |
| 0332 | 00354134 | | fastening ring |
| 0334 | 00171273 | | Holder |
| 0336 | 00265961 | | Heating element |
| 0338 | 00170961 | | Sensor-NTC |
| 0340 | 00481932 | 00448032 | Shock absorber |
| 0342 | 00171271 | | Screw |
| 0344 | 00171272 | | Fixture |
| 0346 | 00168798 | | Holder |

| | | | |
|------|----------|----------|---------------------------|
| 0348 | 00142369 | 00145563 | Motor |
| 0350 | 00154740 | | Carbon-brush |
| 0350 | 00173028 | | Carbon-brush |
| 0351 | 00266752 | | Cover |
| 0352 | 00172719 | | Cover |
| 0400 | 00353924 | 00700836 | Hose-inlet |
| 0402 | 00066627 | | Sealing |
| 0404 | 00034887 | 00027780 | Filter-water inlet |
| 0406 | 00171261 | 00428210 | Valve-magnet |
| 0407 | 00171267 | | Holder |
| 0408 | 00171262 | | Hose-valve/soap box |
| 0412 | 00265957 | | Dispenser tray-upper part |
| 0414 | 00354122 | | Dispenser tray-lower part |
| 0416 | 00354123 | | Dispenser tray |
| 0418 | 00265958 | | Hose-fill |
| 0420 | 00480443 | | Eco-hose-sump |
| 0422 | 00171263 | | Ball-sump |
| 0424 | 00168817 | 00424981 | Pressure chamber |
| 0428 | 00171265 | 00491919 | Hose-pressure chamber |
| 0430 | 00172693 | 00600925 | Regulator-water level |
| 0431 | 00362256 | | Duct |
| 0433 | 00362255 | | Duct |
| 0434 | 00068337 | | Holder |
| 0436 | 00150871 | | Terminal |
| 0438 | 00354124 | | Outlet hose |
| 0440 | 00142370 | 00145787 | Pump-drain |
| 0442 | 00151408 | | Sealing |
| 0442 | 00154358 | | Sealing |
| 0444 | 00172337 | | Pump-housing |

| | | | |
|------|----------|----------|----------------|
| 0444 | 00172340 | 00145787 | Pump-drain |
| 0446 | 00172338 | | Sealing |
| 0448 | 00151409 | | Filter-fluff |
| 0448 | 00172339 | | Filter-fluff |
| 0450 | 00092126 | | Holder |
| 0451 | 00172395 | 00603523 | fastening ring |
| 0452 | 00172394 | 00421488 | fastening ring |