

# C 132 NF G

Combi refrigerator-freezer  
Installation and use

Комбинированный холодильник-морозильник  
Установка и использование



<b>GB</b>	<b>Combi refrigerator-freezer</b>	
	Instructions for installation and use.....	3

<b>CIS</b>	<b>Комбинированный холодильник-морозильник</b>	
	Инструкции по установке и использованию.....	10



**To maintain the EFFICIENCY and SAFETY of this appliance, we recommend:**

- call only the Service Centers authorized by the manufacturer
- always use original Spare Parts

**Производитель оставляет за собой право без предупреждения вносить изменения в конструкцию, не ухудшающие эффективность работы оборудования.**

- Некоторые параметры, приведенные в этой инструкции, являются ориентировочными:
- Производитель не несет ответственности за незначительные отклонения от указанных величин.

## Safety - a good habit to get into.

### ATTENTION

Read your manual carefully since it contains instructions, which will ensure safe installation, use and maintenance of your appliance.

Your Refrigerator is built to International safety standards (EN60) and has been awarded the European approval mark (IMQ) for conformity with UK electrical safety requirements. It also meets the EC standards on the prevention and elimination of radio interference (EC directive 87/308 - 02.06.89).

1. This appliance is designed to be used indoors and under no circumstances should it be installed outside even if protected by a roof. Leaving the appliance exposed to the rain and whether is exceedingly dangerous.
2. The appliance should be used only by adults and exclusively for storing foodstuffs in compliance with the instructions provided in this manual. Under no circumstances should children be allowed to operate, or tamper with, this product.
3. Do not attempt to operate or handle this appliance when barefoot, or with wet hands or feet.
4. It is highly recommended that you do not operate this appliance by connecting it to the power supply with extensions or multiple socket plugs. If the refrigerator has been installed between two cabinets, make sure that the supply cord is not dangerously crimped or trapped beneath a heavy object.
5. Never pull the cable or the appliance to remove the plug from the socket; this is exceedingly dangerous.

6. Do not touch the internal cooling elements, especially if your hands are wet, since you could burn or hurt yourself.

7. Before doing any cleaning, disconnect the appliance from the electricity (by pulling out the plug or turning off the general switch in your home); it is not sufficient to place the temperature regulation knob “off” to cut off the power.

8. Before disposing of your old appliance, remember to break or remove the lock as a safety measure to protect children who might lock themselves inside the appliance when playing. In addition, if the appliance is a new one with a lock, keep the key out of the reach of small children.

9. If your appliance is not operating properly, read the chapter entitled, “Trouble Shooting”, which might help you to resolve the problem, before calling an after-sales service center. Do not attempt to repair the appliance by tampering with the internal components.

10. If the power supply cord must be replaced, please contact one of our Customer Service Centers. In some cases, the connections are made using special terminals and in others a special tool must be used to access the connections.

11. Do not use electric appliances inside the compartment for food storage, if these are not those recommended by the manufacturer.

12. At the end of the functional life of your appliance – containing cyclopentane gas in the insulation foam and gas R134a (tetrafluoroethane) in the refrigeration circuit – the latter should be made safe before being sent to the dump. For this operation, please contact your dealer or the Local Organisation in charge of waste disposal.

## Installation

**Proper installation of the appliance is essential to ensure the best and most efficient performance of your appliance.**

### Ventilation

The compressor and condenser generate heat and, therefore, need to be ventilated properly. Rooms with less than perfect ventilation are not very suited for installation of the appliance. Therefore, it should be installed in a room with

an opening (window or French window) that provides the appropriate amount of air re-circulation. It is also important that the room should not be too humid.

During installation, make sure not to cover or obstruct the grates that allow proper ventilation of the appliance. For proper ventilation of the appliance, you must leave:

- a space of at least 10 cm between the top part and any cabinets above it;
- a space of at least 5 cm between the sides of the appliance and any adjacent cabinets/walls.

### Away from Heat

Avoid positioning the appliance in a place where it is

directly exposed to sunlight or near an oven, cook top or the like.

### Levelling

The floor should be perfectly levelled; if not, you can adjust the feet at the front of the appliance.

### Earthing

Before making the electrical connection, check that the voltage shown on the data plate, that you will find on the bottom left hand side of the appliance next to the crisper, corresponds to that of your mains and that the socket is earthed in conformity with all current electrical regulations. If the system is not earthed, the manufacturer declines all liability for consequent damages or losses. Do not use adapters or multiple sockets.

### Check the power load

The electrical socket must support the maximum power load of the appliance shown on the data plate (on the bottom left hand side of the appliance next to the crisper).

### Before plugging the appliance to the mains

Set the appliance upright and wait at least 3 hours before plugging the appliance into the mains to ensure proper performance.

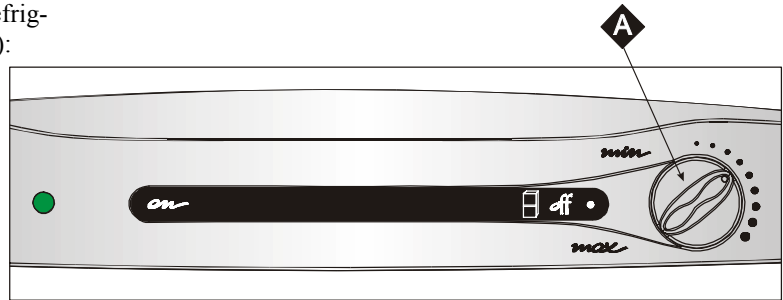
## A Closer Look

### **A** Thermostat knob for regulating the temperature

Use this knob to regulate the temperature of the refrigerator. The following settings are available (fig. 1):

- off** - The refrigerator is off;
- min** - less cold;
- max** - colder

Fig. 1



### **B** Hanging rack with transparent cover

### **C** Small hanging rack

### **D** Lower hanging rack with bottles holder

### **E** Adjustable feet

### **F** Container for freezing and frozen food storage

### **G** Drainage system for thawed water

### **H** Fruit and vegetable drawer

### **I** Removable height adjustable shelves

### **J** Butter dish with cover

### **K** Lamp

### **L** Container for frozen food storage

### **M** Glass tray

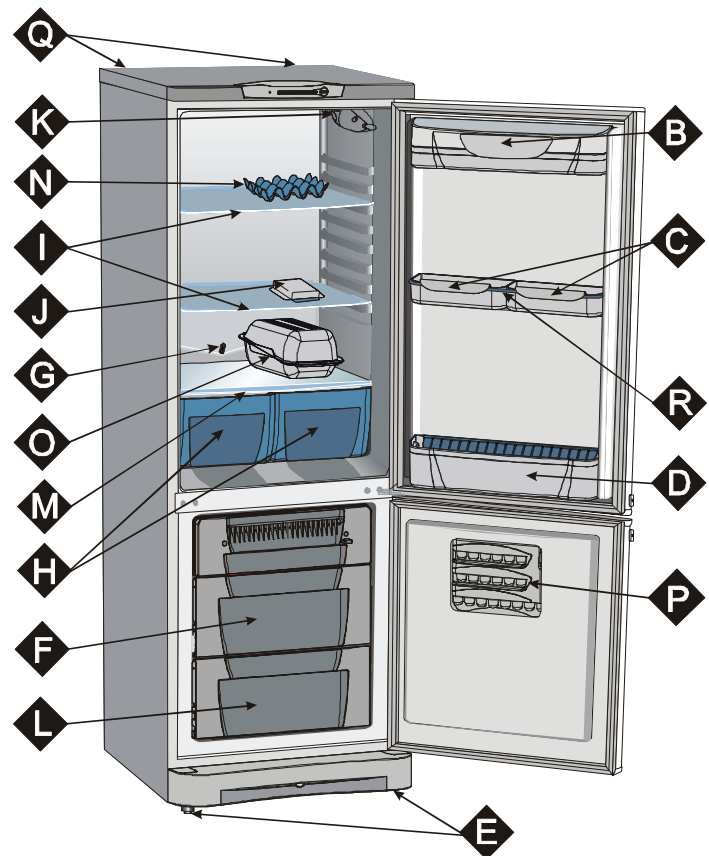
### **N** Eggs tray

### **O** Meat container

### **P** Ice container

### **Q** Rear stoppers (Fig 4)

### **R** Hanging rack holder



## Setting up Your Appliance

### ATTENTION

After transport set the appliance upright and wait at least 3 hours before plugging the appliance into the mains to ensure proper performance.

Use these average temperature settings to ensure optimum performance and to save energy.

Before storing food in your refrigerator, wipe the interior with a solution of warm water and bicarbonate of soda.

After having plugged the appliance into the socket, make sure that the refrigerator lamp has turned on. Then turn the thermostat knob "A" to setting "medium".

After a couple of hours, you can place fresh food in the refrigerator.

## How to use the refrigerator compartment...

The thermostat automatically regulates the temperature inside the appliance

**Min** = less cold

**Max** = colder

It is recommended that a medium setting be used.

To increase the amount of space, optimize arrangement and improve appearance, this appliance has a "cooling area" located within the back panel of the refrigerator compartment.

When the appliance is operating, this panel may be covered with frost or droplets of water depending on

whether the compressor is operating or not at a set time. Do not be concerned about this! The refrigerator is operating normally.

If the thermostat knob is positioned on higher settings while the refrigerator is heavily filled and the ambient temperature is high, the appliance may run continuously, resulting in the formation of frost on the back cooling area. This will lead to an increase in energy consumption.

**To avoid this situation, just turn the thermostat knob to a lower setting so that the appliance defrosts automatically.**

### Storing food in the Refrigerator Compartment

Food	Storage time	Location in the Refrigerator
Wrapped meat and cleavec fish (use plastic wrap or pack in plastic bags)	2 or 3 days	On the shelf above the vegetable container (which is the coldest area).
Fresh cheese	3 or 4 days	On the shelf above the vegetable container (which is the coldest area).
Eggs	1 month	In special egg tray on any shelf
Butter, margarine	1 week	On any shelf
Cooked or precooked food (placer in air-tight containers and when cool store in refrigerator)	3 or 4 days	On any shelf
Sausages, salami, sandwich meats in general, fresh pasta, custards, puddings, chocolates, cream pastries, bread, dry pastries, red tomatoes	3 or 4 days	On any shelf
Bottled products, milk, drinks, yoghurt		On special door shelves

### What Should Not be Stored in the Refrigerator

Garlic (transmits odour), onions and leeks.

Bananas (they will turn black).

Citrus fruits.

Potatoes and root vegetables (store in dark, dry places).

- Within the refrigerator compartment, the air circulates naturally, with the colder air falling down because it is heavier. This is the reason why meat and cheeses should be placed above the vegetable container.
- Please follow our instructions carefully on maximum storage time: any food, even the freshest, will not remain edible for any extended amount of time.
- Do not place liquids in containers without covering them because this will lead to an increase in the level of moisture within the refrigerator, causing the formation of frost.
- Remember to cool hot food before storing otherwise the temperature inside the appliance will increase, causing the compressor to work harder and use more energy.

- Contrary to popular belief, cooked foods are not stored any longer than raw food.
- The refrigerator compartment is equipped with convenient, removable shelves which can be adjusted for height using the shelf guides. This allows you to place even large containers and foodstuffs in the refrigerator.
- Be careful not to place containers (plastic or glass), food or other objects in direct contact with the cooling area of the back wall of the refrigerator. This could harm the food, increase energy consumption and facilitate the formation of condensate (on food, containers, etc.).

## How to use the freezer compartment...

### Consult a specialized manual when packaging foods for freezing.

- Remember that you should never re-freeze products you have allowed to thaw, even if only partially: cook the food, then either eat (within 24 hours) or refreeze it.

- When freezing fresh foods, remember that they should not touch other previously frozen or deep frozen foods. Place the food that you wish to freeze in the top compartment where the temperature will fall below -18°C, which is ideal

for freezing food properly. Remember that proper conservation depends on the speed of freezing.

- Do not open the freezer door during freezing.

- Freeze only the quantities (in kg) shown on the data plate on the left of the container.

- For the best conservation and defrosting, remember to freeze small portions; this will ensure rapid and uniform freezing. Mark package with a description of the contents and the date it was frozen.

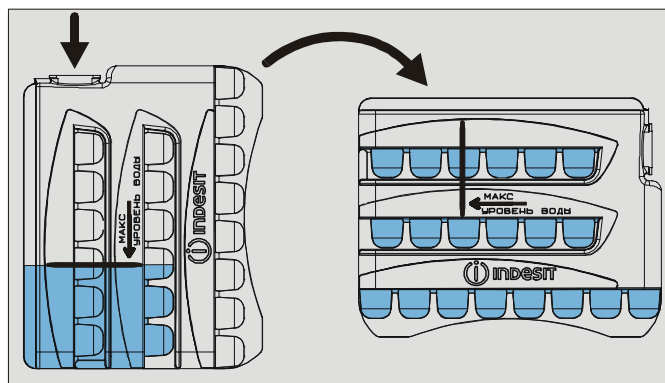
- In the case of power failure or breakdown, do not open the freezer door. This will help maintain the temperature inside the freezer ensuring that foods are conserved for at least 17 hours.

- Do not store full bottles in the freezer since they

could explode when they freeze. (Remember that liquids increase in volume when frozen)

- If the room temperature remains below 14°C for an extended period of time the freezer will not reach the temperatures required for storage, and storage life will be shorter. In this case, frozen foodstuffs should be used within a relatively short period of time.

- Fill the ice container so that they are no more indication of line.



## Energy Saving Tips

### - Install the appliance correctly

This means that the appliance should be installed away from heat sources or direct sunlight in a well ventilated room.

### - Correct temperature settings

Set the refrigerator or freezer temperature knob to one of the medium settings. Very low temperatures will not only consume a great deal of energy but will neither improve or lengthen the storage life of the food. Excessively low temperature may in fact spoil vegetables, cold meats and cheese.

### - Do not overfill your appliance

Remember that proper storage of food requires good air circulation. Overfilling your appliance will prevent

this circulation and overwork the compressor.

### - Shut the doors

Open your appliance only when strictly necessary; remember that every time you open the door most of the cold air will be lost.

The motor will have to run, and consume energy, to restore the correct temperature.

### - Check the door gaskets

keep the gaskets clean and soft so that they fit closely against the door to ensure that no cold air is lost.

### - Never store hot foods

A container of hot food in the refrigerator will increase the temperature significantly; allow food to cool to room temperature before storing.

## Frozen food storage

### Meat and fish

Food	Wrapping	Tenderising (days)	Storage (month)	Thawings Time
Beef Roast	Tinfoil	2/3	9/10	Not required
Lamb	Tinfoil	1 / 2	6	Not required
Pork Roast	Tinfoil	1	6	Not required
Veal Roast	Tinfoil	1	8	Not required
Veal/Pork Chops	Each piece wrapped in cling wrap and then in tinfoil (4 to 6 slices)		6	Not required
Minced Meat	Each piece wrapped in cling wrap and then in tinfoil (4 to 6 slices)		6	Not required

Heart and Liver	Plastic Baggies		3	Not required
Sausages	Cling Wrap or Tinfoil		2	As necessary
Chicken and Turkey	Tinfoil	1/3	9	Very slowly in refrigerator
Duck and Goose	Tinfoil	1 / 4	6	Very slowly in refrigerator
Pheasant, Partridge and Wild Duck	Tinfoil	1 / 3	9	Very slowly in refrigerator
Hare and Rabbit	Tinfoil	3 / 4	6	Very slowly in refrigerator
Venison	Tinfoil or Cling Wrap	5/6	9	Very slowly in refrigerator
Large Fish	Tinfoil or Cling Wrap		4/6	Very slowly in refrigerator
Small Fish	Plastic Baggies		2 / 3	Not required
Crustaceans	Plastic Baggies		3/6	Not required
Shellfish	Store in salted water in aluminium containers or plastic containers		3	Very slowly in refrigerator
Boiled Fish	Tinfoil or Cling Wrap		12	In hot water
Fired Fish	Plastic Baggies		4/6	Directly in pan

### Fruits and Vegetables

Food	Preparation	Blanching Time	Wrapping	Storage (month)	Thawing Time
Apples and Pears	Peel and cut into slices	2'	In Containers (cover with syrup)	12	In refrigerator very slowly
Apricot, Peaches, Cherries and Plums	Peel and pit	1/2'	In Containers (cover with syrup)	12	In refrigerator very slowly
Strawberries, Blackberries and Raspberries	Rinse and fry		In Containers (cover with sugar)	10/12	In refrigerator very slowly
Cooked Fruit	Cut, cook and strain		In Containers (add 10% sugar)	12	In refrigerator very slowly
Fruit Juice	Wash, cut and crush		In Container (sugar to test)	10/12	In refrigerator very slowly
Cauliflower	Remove leaves, cut head into small pieces and blanch in water and a little lemon juice	2'	Plastic Baggies	12	Not required
Cabbage and Brussel Sprouts	Wash and cut into small pieces	1/2'	Plastic Baggies	10/12	At room temperature
Peas	Shell and wash	2'	Plastic Baggies	12	Not required
French Beans	Wash and slice if required	2	Plastic Baggies	10/12	Not required
Carrots, Peppers and Tumips	Peel, wash and slice if necessary	3/4'	Plastic Baggies	12	Not required
Mushrooms and Asparagus	Wash, peel and cut up	3/4'	Plastic Baggies	6	At room temperature
Spinach	Wash and mince	2'	Plastic Baggies	12	At room temperature
Vegetable for Soups	Wash and cut up small pieces	3'	Plastic Baggies or Containers	6/7	Not required

Varios Foods	Preparation	Blanching Time	Wrapping	Storage (month)	Thawing time
Bread			Plastic Baggies	4	At room temperature in the oven
Cakes			Plastic Baggies	6	About 10 minutes at room temperature, cook at 100/200°C
Cream			Plastic Containers	6	At room temperature or in refrigerator
Butter			In original wrapping or tinfoil	6	In refrigerator
Boiled Food or Vegetable Soup			Plastic or Glass Containers	3/6	At room temperature or in hot water
Eggs			Freeze without shells in small containers	10	At room temperature or in refrigerator

## Keeping Your Appliance in Shape

### Defrosting

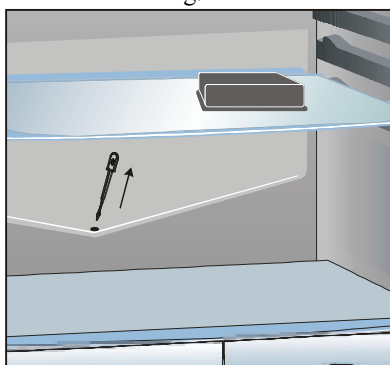
**WARNING: do not damage the refrigeration circuit.**

**Do not use mechanical devices or other tools to speed up the defrosting process, unless they have been recommended by the manufacturer.**

### How to Defrost the Refrigerator

This appliance defrosts automatically and the water is drained to the back towards the drain pipe installed for this purpose (fig. 2). Here, the heat produced by the compressor will make it evaporate. The only thing you must do is to periodically check and clean the hole of the drain, which is located behind the vegetable crispers, so that the water drains properly.

Fig. 2



### How to Defrost the Freezer No Frost

This appliance defrosts automatically and the water is drained to the back towards the drain pipe installed for this purpose. Here, the heat produced by the compressor will make it evaporate.

### Cleaning and maintenance

**Always unplug the appliance from the mains before cleaning.**

- Your appliance is manufactured with hygienic odourless materials. To preserve these characteristics, always use sealed containers for strong smelling foods to avoid the formation of odours that are difficult to remove.

- Use only a water and bicarbonate solution: Clean the internal and exterior of your appliance with a sponge soaked with a warm water and sodium bicarbonate solution, which is also a good disinfectant. If you do not have any sodium bicarbonate at home, use neutral detergent.

- What not to use: Do not use abrasive detergents, bleach or detergents containing ammonia. Never use solvent based products.

- Dishwashable: All the removable parts can be cleaned by soaking in hot soapy water or detergent. If you own a dishwasher, you may wash these parts in the dishwasher. Remember to dry thoroughly before replacing them.

- What about the back panel? Dust may deposit on the back panel and affect the proper running of the appliance. To remove dust, vacuum away the dust very carefully using the appropriate vacuum cleaner accessory.

- Discontinued use of the appliance: If the appliance is not in use for any length of time, remember to clean the interior and dry thoroughly, leaving the doors open to prevent the formation of bad odours and mould.

- Replacing the lamp. The lamp for lighting the interior of the appliance is located at the back of the lamp box. Unscrew the burnt lamp and replace it with another lamp of no more than 15 Watt, follow the instructions illustrated in fig. 3.

Fig. 3

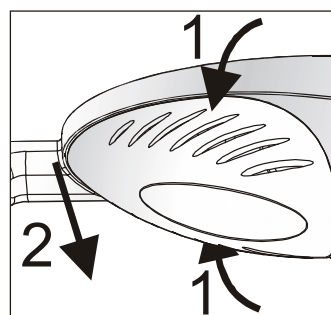
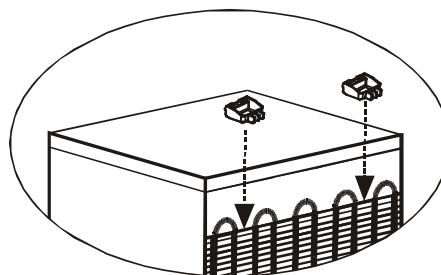


Fig. 4

**The scheme of installation of rear stoppers**





## Door re-hinging scheme

Door re-hinging is carried out in accordance with the scheme (see fig. 5).

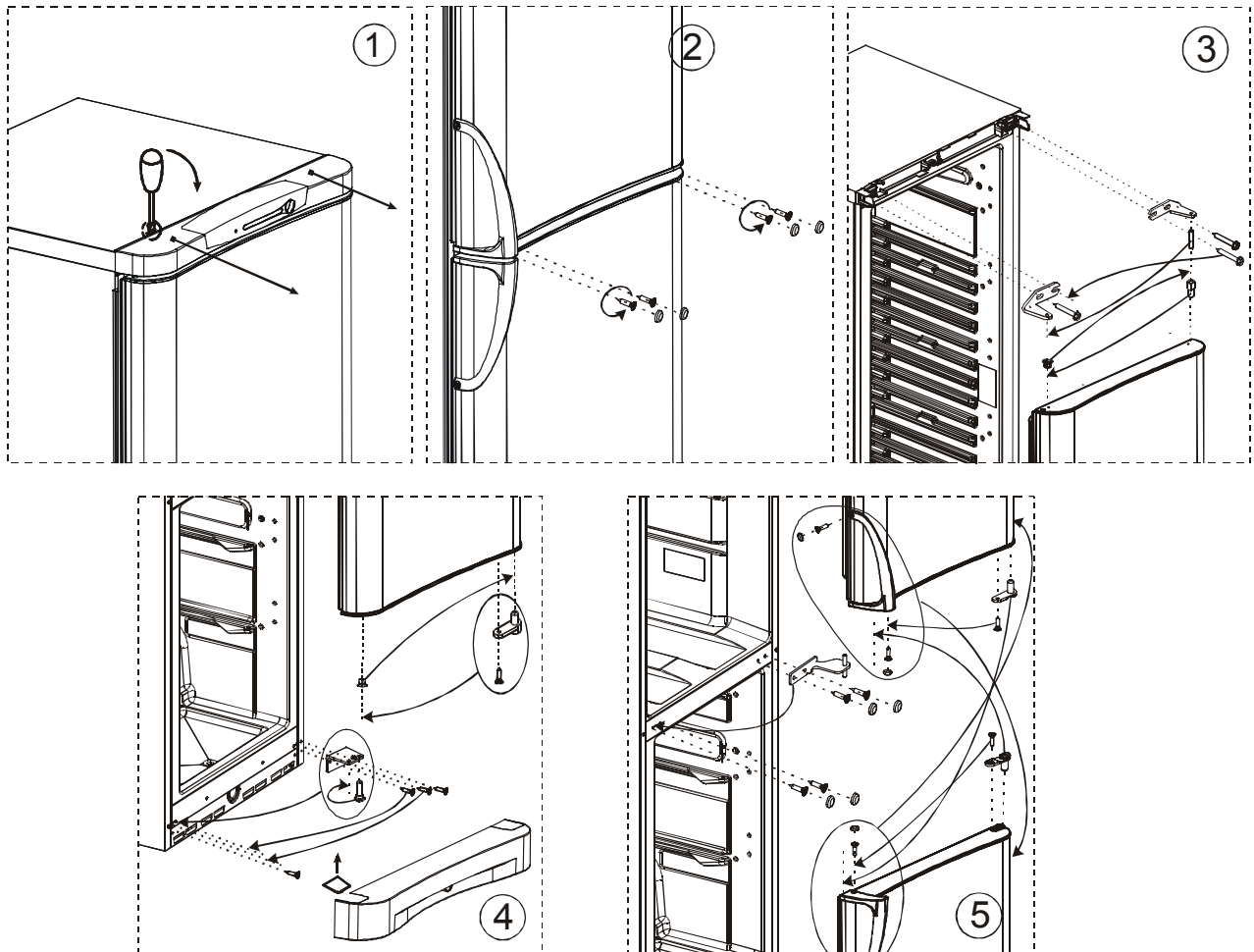


Fig. 6

## Is There a Problem?

### **The refrigerator does not function.**

*Have you checked whether:*

- The main switch for the power supply to the apartment or home has been turned off;
- The plug is properly inserted in the outlet;
- The outlet is adequate; try inserting the plug into another outlet in the room.

### **The refrigerator and the freezer do not cool properly.**

*Have you checked whether:*

- The doors do not close well or the gaskets are faulty;
- The doors are left open too long;
- The thermostat knob is not on the proper setting;
- The refrigerator or freezer is overfilled.

### **The food in the refrigerator becomes too cold.**

*Have you checked whether:*

- The thermostat knob is on the proper setting;
- The food is in contact with the back wall - which is

### **The motor runs continuously.**

*Have you checked whether*

- The doors are not closed well or have remained open too long;
  - The ambient temperature is too high;
- The thermostat knob is not on the proper setting.

### **The appliance makes too much noise.**

The gas refrigerant produces a slight noise even when the compressor is not running (this is not a defect).

*Have you checked whether:*

- The refrigerator is levelled.
- The appliance was installed between cabinets or objects that vibrate and make noise.

### **There is water on the bottom of the refrigerator.**

*Have you checked whether:*

- The hole for draining the water from the frost is

the coldest part.  
If after all the checks, the appliance still does not operate or the problem persists, call the nearest Service Centre and inform them of: the type of problem, the abbreviation of the model name (Mod.) and the relative

clogged (see fig. 2).  
numbers (S/N) written on the rating plate located at the bottom left next to the vegetable crisper (see examples in the figures below).

*Never call on unauthorized technicians and always refuse spare parts which are not originals.*

## Technical characteristics

Parameters	Value
Overall dimensions: height/ width/ depth, cm	167/60/66.5
Total gross volume, dm <sup>3</sup>	280
Gross volume of a food freezer compartment, dm <sup>3</sup>	80
Total storage volume, dm <sup>3</sup>	223
Storage volume of a food freezer compartment, dm <sup>3</sup>	66
Cooling system	No Frost
Storage shelf area, m <sup>2</sup>	1.12
Uniform shelf load is recommended, kg, no more than	30
Ambient temperature while operating, °C	from +16 to +32
Temperature rise time in a food freezer compartment from -18 °C to -9 °C when power supply is switched off, h	17
Energy efficiency class	C
Energy consumption, kw*h/24h	1,25
Compressor quantity	1
Pure mass, kg	71.8
Specified service life, years	10
Average service life period, years	15

The rest characteristics are presented in a data plate.

## Соблюдение безопасности – хорошая привычка

1. Холодильник разработан для использования внутри помещений. Ни при каких обстоятельствах не используйте холодильник на улице.
2. Холодильник должен использоваться в домашних условиях для замораживания и хранения замороженных и охлажденных продуктов в соответствии с данной инструкцией. Не разрешайте детям пользоваться холодильником без присмотра.
3. Холодильник обладает довольно большим весом, передвигайте его только при уверенности в своих силах.
4. Не касайтесь холодильника влажными руками.
5. Не пользуйтесь удлинителями и тройниками. При повреждении шнура питания его следует заменить специальным шнуром или комплектом, получаемым у изготовителя или его представителя. Замена кабеля должна производиться только квалифицированным персоналом. Если Вы все-таки решили использовать удлинитель, то вилка и розетка удлинителя должны иметь заземляющие лепестки и соответствовать типу вилки холодильника.  
Помните, что включение холодильника с использованием тройников и удлинителей создает потенциальную опасность возгорания. Производитель не несет ответственности за возгорания, произошедшие из-за использования тройников и удлинителей, а также соединительного кабеля, сечение которого не соответствует потребляемой мощности. При установке холодильника необходимо проверить соответствие характеристик сети и электроприборов холодильника. Не вынимайте вилку из розетки за провод: это очень опасно.
6. Не касайтесь внутренних охлаждающих поверхностей холодильника, особенно если Ваши руки

мокрые или сырые. Не кладите в рот куски льда, только что вынутые из морозильника - так можно получить местное обморожение.

7. Перед выполнением любых операций по мойке или обслуживанию, отсоедините холодильник от сети. Установка термостата в положение «off» недостаточна для обеспечения электробезопасности.
8. Если холодильник предназначен для замены старого, имеющего запирающие устройства на двери, перед тем как выбросить старый холодильник, выведите из строя или снимите запирающее устройство. Это необходимо для того, чтобы обезопасить детей, которые могут играть с выброшенными предметами и рискуют быть запертыми внутри холодильника.
9. При возникновении нестандартной ситуации отключите холодильник от сети и позвоните в сервисный центр, телефон которого напечатан в гарантийном документе (сервисном сертификате). Перед звонком в сервисный центр прочитайте раздел «Устранение неисправностей».
10. Запрещается изменение конструкции холодильника и вмешательство лиц, не уполномоченных производителем на гарантийный ремонт.
11. Не используйте электрические приборы, используемые для приготовления пищи, внутри отделения для хранения пищевых продуктов, если это не рекомендовано производителем.
12. Если Вы решили больше не использовать Ваш холодильник, перед тем как выбросить, позаботьтесь об его утилизации. Ваш холодильник содержит циклопентановый газ в изоляционной пене и тетрафторэтан (R134a) в охлаждающем контуре - в последнем случае Вам необходимо связаться с местной организацией, ответственной за утилизацию.

## Установка

**Правильная установка необходима для обеспечения надежной и наиболее эффективной работы холодильника.**

### **Вентиляция**

Компрессор и конденсатор холодильника в процессе работы нагреваются, поэтому необходимо обеспечить достаточную вентиляцию. Холодильник должен быть установлен в хорошо проветриваемом помещении с нормальной влажностью. Запрещено устанавливать холодильники в помещениях с повышенной влажностью, например, ванных комнатах, подвалах.

Следите, чтобы во время эксплуатации доступ воздуха к отверстиям для вентиляции не был перекрыт или затруднен:

- расстояние между верхней частью холодильника и мебелью должно быть не менее 10 см;
- расстояние между боковыми стенками холодильника и мебели должно быть не менее 5 см.

### **Не располагайте вблизи источников тепла**

Не следует устанавливать холодильник так, чтобы он находился под воздействием прямых солнечных лучей или рядом с источниками тепла (кухонными плитами, духовками, каминами).

### **Выравнивание**

Для хорошей работы холодильника важно, чтобы он находился на ровной плоскости. После установки холодильника на место отрегулируйте его положение путем вращения регулировочных опор в его передней части. Наклон холодильника назад не должен превышать 5°.

### **Подключение к электросети**

Холодильник выполнен по степени защиты от поражения электрическим током класса 1 и подключается к электрической сети при помощи двухполюсной розетки с заземляющим контактом. Перед подключением к электросети убедитесь:

- что напряжение сети соответствует данным, ука-

занным на таблице, которая находится на правой стороне холодильного отделения со стороны двери;

- что заземляющий контакт электрической розетки непосредственно электрически соединен с заземляющим проводом или с нулевым проводом питающего кабеля электрической сети (соединительный провод должен быть рассчитан на ток не менее 10А);
  - розетка и вилка одного типа; если вилка не подходит к розетке, розетку следует заменить на новую, соответствующую вилке питающего шнура (работы должен выполнять квалифицированный электрик).
- Холодильник должен быть установлен таким образом, чтобы Вы всегда имели доступ к розетке. Холодильник, подключенный с нарушением требова-

ний безопасности бытовых приборов большой мощности, изложенных в данной инструкции, является потенциально опасным.

Холодильник, непосредственно подключаемый к двухпроводной электросети, эксплуатируют с устройством защитного отключения (УЗО), имеющим следующие значения параметров: диапазон номинальных напряжений от 220 до 240 В, переменный ток частотой 50 Гц, мощность нагрузки не менее 1,3 кВт, время срабатывания по току утечки до 3 мА-не более 1 секунды.

Производитель не несет ответственности за ущерб здоровью и собственности, если он вызван несоблюдением указанных норм установки.

## Описание

### А Ручка терморегулятора

Ручка терморегулятора позволяет регулировать температуру в холодильном и морозильном отделениях. Возможны следующие установки (рис. 1):

- off**- холодильник выключен;
- min**- минимальное охлаждение;
- max**- максимальное охлаждение.

### В Балкон с крышкой

### С Балкон малый с пиктограммой

### Д Балкон нижний с держателем для бутылок

### Е Регулируемые опоры

### Ф Отделение для замораживания и хранения замороженных продуктов

### Н Ящики для хранения овощей и фруктов

### Г Дренажная система

### И Полки стеклянные

### Ж Масленка

### К Плафон освещения холодильного отделения

### Л Отделение для хранения замороженных продуктов

### М Поддон стеклянный

### Н Подставка для яиц

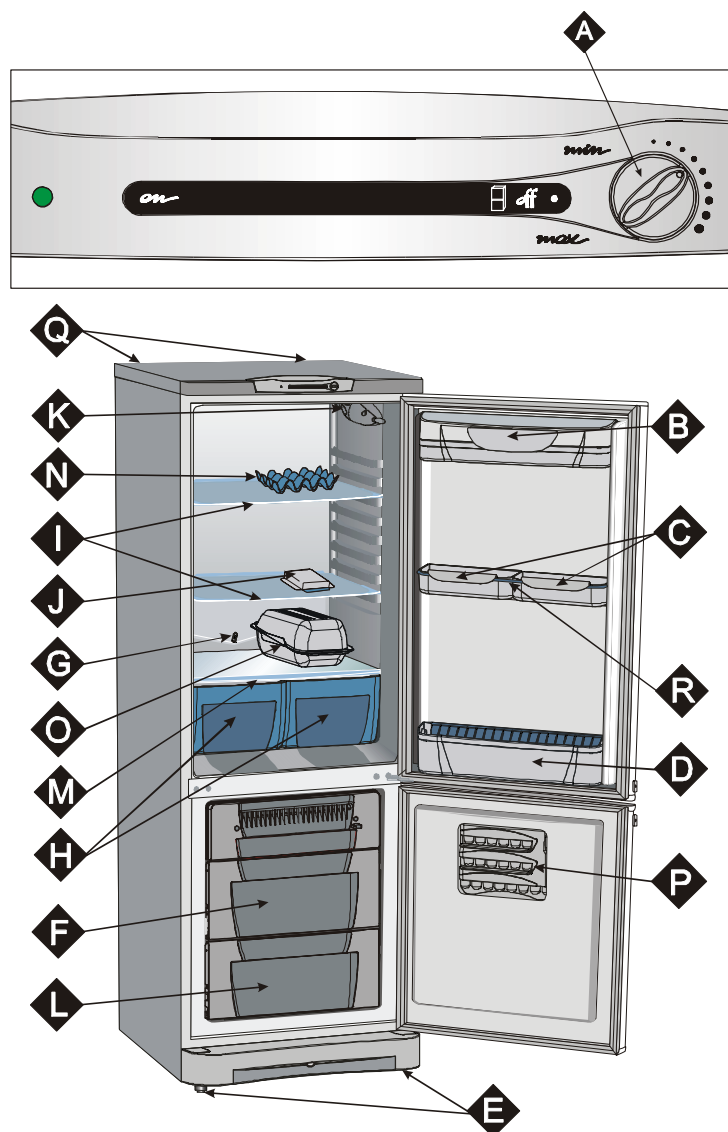
### О Емкость для мяса

### Р Контейнер для льда

### Q Упоры задние (Рис. 5)

### R Балконодержатель

Рис. 1



## Включение холодильника

### ВНИМАНИЕ

После установки подождите примерно три часа перед тем, как подключить холодильник к электросети, чтобы быть уверенными, что хладагент после транспортировки распределится должным образом - это необходимо для правильной работы холодильника.

Перед началом эксплуатации в холодильнике необходимо вымыть внутренние поверхности холо-

дильной и морозильной камер раствором пищевой соды.

После того как Вы подключили холодильник к электрической сети, убедитесь, что индикаторная лампочка на панели управления загорелась, установите ручку терморегулятора А в среднее положение, через несколько часов Вы можете поместить продукты в холодильное и морозильное отделения.

## Использование холодильного отделения

Температура внутри холодильного отделения автоматически регулируется в соответствии с позицией, установленной ручкой терморегулятора.

**min** - наименее холодный режим

**max** - наиболее холодный режим

Мы рекомендуем устанавливать терморегулятор в среднее положение.

Для того, чтобы увеличить пространство, оптимизировать расположение продуктов и улучшить видимость внутри отделения, испаритель расположен за задней стенкой холодильного отделения. Во время работы холодильника задняя стенка может покрываться инеем или каплями воды в зависимости от

того, работает компрессор в данный момент или нет.

Не беспокойтесь, это совершенно нормально.

Если терморегулятор установлен в максимальное положение (например, холодильник сильно заполнен продуктами или температура в помещении очень высокая), то компрессор может работать непрерывно, в результате чего на задней стенке испарителя образуется слой инея. Это приводит к повышенному потреблению электроэнергии. Во избежание подобной ситуации просто установите ручку терморегулятора А в меньшее положение, так чтобы холодильное отделение разморозилось автоматически.

Продукты	Время хранения	Расположение в холодильнике
Упакованные мясо и рыба (в пластиковой пленке или пакетах)	2 или 3 дня	В нижней части холодильника над ящиками для овощей (самое холодное место в холодильнике)
Свежий сыр	3 или 4 дня	В нижней части холодильника над ящиками для овощей (самое холодное место в холодильнике)
Яйца	1 месяц	В специальной подставке на любой полке
Масло, маргарин	1 неделя	На любой полке
Готовые продукты или полуфабрикаты, упакованные в воздухонепроницаемые контейнеры	3 или 4 дня	На любой полке
Колбасы, салями, мясо для сэндвичей, готовые макароны, пудинги, кремовые и песочные пирожные, хлеб, шоколад, красные помидоры	3 или 4 дня	На любой полке
Продукты в бутылках, молоко, напитки, йогурты	3 или 4 дня	На дверных полках
Фрукты и бобовые		В ящиках для овощей

### Не следует хранить в холодильнике

Лук, лук-порей и чеснок.

Бананы (они могут почернеть).

Цитрусовые.

Картофель и корнеплоды (храните в темном, сухом месте).

Холодный воздух в холодильном отделении циркулирует таким образом, что более низкая температура устанавливается в нижней части отделения. Чтобы правильно разместить продукты питания в отделениях для обеспечения наилучших условий хранения следуйте инструкции по хранению: при неправильном хранении даже самые свежие продукты быстро испортятся. Вопреки общеизвестному мнению помните, что приготовленные продукты можно хранить

меньшее время, чем свежие. Холодильное отделение оборудовано удобными полками, высота которых может регулироваться благодаря специальным направляющим, это позволяет размещать крупные упаковки и высокие бутылки. Не ставьте в холодильник жидкости в емкостях без крышки во избежание повышения влажности – что ведет к повышению температуры в холодильной камере.

## Использование морозильного отделения

Для подготовки продуктов к замораживанию смотрите специальную инструкцию.

1. Продукты, хотя бы частично размороженные, не следует замораживать повторно: используйте их для приготовления блюд, которые следует либо употребить в течение 24 часов, либо заморозить.
2. Когда замораживаете свежие продукты, не допускайте, чтобы они касались ранее замороженных продуктов. Предпочтительно, чтобы продукты размещались внутри морозильного отделения, не соприкасаясь с задней и боковыми стенками. Помните, что сохранность продуктов зависит от скорости замораживания.
3. Старайтесь не открывать дверь морозильного отделения во время замораживания.
4. Для правильного хранения и легкости последующего размораживания размещайте продукты в морозильном отделении небольшими порциями; это способствует более быстрому и надежному замораживанию. Рекомендуем вести записи с указанием даты замораживания.
5. В случае сбоя в электропитании не открывайте дверцу морозильного отделения. Это поможет сохранить температуру в морозильном отделении не выше  $-9^{\circ}\text{C}$  до 17 часов.
6. Не помещайте в морозильное отделение на длительное время полные стеклянные емкости с замерзающими жидкостями, особенно если в них находятся плотно закупоренные шипучие или газированные

напитки. Жидкость, кристаллизуясь, может разрушить емкость.

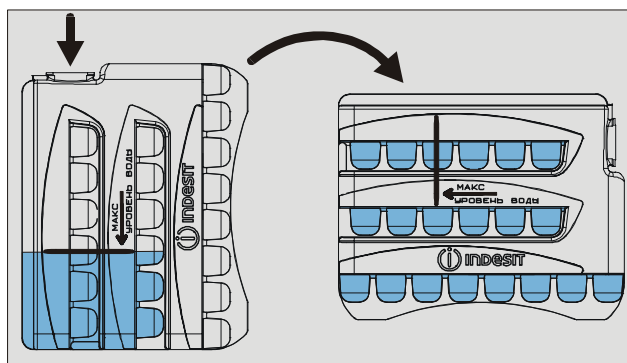
7. Наполняйте контейнер для льда не более метки (рис.2).

8. Если температура окружающей среды в течение продолжительного времени не превышает  $14^{\circ}\text{C}$ , то температура, необходимая для хранения продуктов, не будет достигнута, что сократит время хранения продуктов.

**СИСТЕМА ОХЛАЖДЕНИЯ “NO FROST”** производит режим оттайки автоматически.

Таймер периодически включает нагревательные элементы, происходит таяние «снеговой шубы» с испарителя. Талая вода по каналам стекает в ванночку над компрессором, где испаряется.

Рис. 2



## Рекомендации по экономии электроэнергии

### Правильно устанавливайте холодильник

На расстоянии от источников тепла, в хорошо проветриваемом помещении, в соответствии с рекомендациями параграфа «Установка» (Вентиляция).

### Правильно установите температуру

Установите терморегулятор в среднее положение. Установка излишне низкой температуры скажется только на повышении расхода электроэнергии, но не улучшит сохранность продуктов. Слишком низкая температура может повредить сохранности овощей, готового мяса и сыра.

### Не переполняйте

Для сохранности продуктов важна достаточная циркуляция воздуха. Переполнение продуктами мешает свободной циркуляции воздуха, правильной работе

холодильника и вызывает дополнительный расход электроэнергии.

### Держите двери закрытыми

Открывайте двери только при необходимости, помните, что каждое открывание двери несколько повышает температуру внутри холодильника и на восстановление прежней температуры затрачивается электроэнергия.

### Закрывайте плотно

Следите за тем, чтобы уплотнительная резина на дверях холодильника оставалась чистой и плотно прилегала к корпусу при закрытии, это позволит избежать утечки холодного воздуха.

### Не помещайте горячую пищу

Горячие продукты, помещенные в холодильник, не-

медленно повышают температуру на несколько градусов. Дайте остыть продуктам и посуде до комнат-

ной температуры перед тем, как помещать их в холодильник.

## Хранение замороженных продуктов

### Мясо и рыба

Продукты	Упаковка	Время хранения до заморозки (дни)	Время хранения в морозильнике (месяцы)	Время и условия размораживания
Жареная / вареная говядина	Алюминиевая фольга	2-3	9-10	Нет необходимости
Баранина	Алюминиевая фольга	1-2	6	Нет необходимости
Жареная свинина	Алюминиевая фольга	1	6	Нет необходимости
Жареная / вареная телятина	Алюминиевая фольга	1	8	Нет необходимости
Телячья / баранья отбивная	Каждый кусок в полиэтилене, затем по 4-6 кусков в алюминиевой фольге		6	Нет необходимости
Телячьи / бараньи котлеты	Каждый кусок в полиэтилене, затем по 4-6 кусков в алюминиевой фольге		6	Нет необходимости
Мясной фарш	Алюминиевые поддоны, закрываемые пленкой	Свежеприготовленный	2	Медленно в холодильнике
Сердце, потроха	Полиэтиленовые пакеты		3	Нет необходимости
Колбасы	Пакеты или алюминиевая фольга		2	По потребности
Курица и индейка	Алюминиевая фольга	1-3	9	Очень медленно
Гусь и утка	Алюминиевая фольга	1-4	6	Очень медленно
Фазан и др. птица	Алюминиевая фольга	1-3	9	Очень медленно
Зайчатина и крольчатина	Алюминиевая фольга	3-4	6	Очень медленно
Оленина и дичь	Алюминиевая фольга и полиэтиленовая пленка	5-6	9	Очень медленно
Крупная рыба	Алюминиевая фольга и полиэтиленовая пленка		4-6	Очень медленно
Мелкая рыба	Полиэтиленовые пакеты		2-3	Нет необходимости
Крабы, раки	Полиэтиленовые пакеты		3-6	Нет необходимости
Устрицы, моллюски	Залитые соленой водой		3	Очень медленно
Вареная рыба	Полиэтиленовая пленка		12	В горячей воде
Жареная рыба	Полиэтиленовые пакеты		4-6	Прямо на сковороде

### Овощи и фрукты

Продукты	Подготовка к хранению	Время бланшировки (мин)	Упаковка	Время хранения (месяцы)	Время и условия размораживания
Яблоки и груши	Почистить и порезать кусочками	2	В контейнерах (залить сиропом)	12	В холодильнике (очень медленно)
Абрикосы, персики, вишня и сливы	Промыть и вынуть косточки	1-2	В контейнерах (засыпать сахаром)	12	В холодильнике (очень медленно)
Клубника, ежевика	Промыть и высушить		В контейнерах (засыпать сахаром)	10-12	В холодильнике (очень медленно)
Печеные фрукты	Порезать и приготовить		В контейнерах (добавить 10% сахара)	12	Очень медленно
Фруктовые соки	Помыть, порезать и выжать сок		В контейнерах (сахар по вкусу)	10-12	Очень медленно
Цветная капуста	Снять листья, порезать на кусочки, смочить разведенным лимонным соком	2	Полиэтиленовые пакеты	12	Нет необходимости
Белокачанная и брюссельская капуста	Вымыть и порезать на мелкие кусочки	1-2	Полиэтиленовые пакеты	10-12	При комнатной температуре
Горох	Очистить и помыть	2	Полиэтиленовые пакеты	12	Нет необходимости
Французская фасоль	Вымыть и порезать, если необходимо	2	Полиэтиленовые пакеты	10-12	Нет необходимости
Морковь, перец и репа	Очистить, вымыть и порезать, если необходимо	3-4	Полиэтиленовые пакеты	12	Нет необходимости
Грибы, спаржа	Вымыть, почистить и порезать	3-4	Полиэтиленовые пакеты или контейнеры	6	При комнатной температуре
Шпинат	Промыть и мелко порубить	2	Полиэтиленовые пакеты	12	При комнатной температуре
Овощи для супа	Вымыть и порезать на мелкие кусочки		Полиэтиленовые пакеты	6-7	Нет необходимости

## Другие продукты

Продукты	Приготовление	Время бланшировки (мин)	Упаковка	Время хранения (месяцы)	Время и условия размораживания
Хлеб			Полиэтиленовые пакеты	4	1 час при комнатной температуре
Пирожные			Полиэтиленовые пакеты	6	Около 10 мин при комнатной темпер., далее в плите с 1° до 100-200°С
Сметана			В пластиковых контейнерах	6	3 часа при комнатной температуре или 5 часов в холодильнике
Масло			В собственной упаковке или алюмин. фольге	6	5 часов при комнатной температуре или 9 часов в холодильнике
Вареные продукты или овощной суп			В пластиковых или стеклянных контейнерах	3-6	При комнатной температуре или в горячей воде
Яйца			Без скорлупы, в небольших контейнерах	10	При комнатной температуре или в холодильнике

## Обслуживание и уход

Перед выполнением любых операций по мойке и обслуживанию отсоедините холодильник от электросети.

### Размораживание

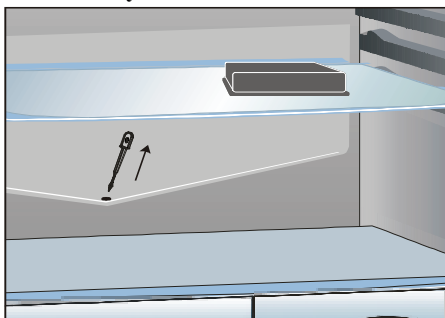
Внимание: не используйте для ускорения процесса размораживания предметы, которые могут поцарапать стенки холодильника или нарушить герметичность отделений холодильника.

### Размораживание холодильного отделения

Холодильное отделение размораживается автоматически; образующаяся вода поступает в дренажную систему (рис.3), затем испаряется теплом компрессора. Единственное, что Вам необходимо делать для обслуживания холодильного отделения - следить, чтобы дренажное отверстие, которое находится за ящиком для овощей и фруктов, не было засорено.

Рис. 3

### Обслуживание и уход



- Ваш холодильник изготовлен из не пахнущих гигиеничных материалов. Для сохранения этих характеристик, всегда храните сильно пахнущие продукты в плотно закрывающихся контейнерах, чтобы избежать образования запахов, которые потом будет сложно удалить.
- Внутренние и внешние поверхности холодильника

мойте губкой или мягкой тканью, смоченной в растворе пищевой соды в теплой воде (сода также является хорошим дезинфектором). При отсутствии пищевой соды используйте нейтральное моющее средство.

- Никогда не используйте органические растворители, абразивные, хлор- и аммиак- содержащие вещества.
- Все съемные части можно мыть раствором мыла или моющего средства в воде. Также их можно мыть в посудомоечной машине. Помните, что все съемные части необходимо тщательно высушить перед тем, как поставить их обратно в холодильник.
- Пыль может скапливаться на конденсаторе холодильника и препятствовать его нормальной работе. Осторожно пропылесосьте заднюю стенку холодильника, используя подходящие насадки.
- Если вы не собираетесь использовать холодильник продолжительное время, разморозьте его, вымойте внутри, высушите и оставьте дверь приоткрытой, чтобы избежать образования неприятного запаха и плесени.

### Замена лампы освещения

(не является гарантийным ремонтом).

Отключите холодильник от сети, вынув вилку из розетки. Лампа внутреннего освещения находится в задней части корпуса плафона освещения. Выверните лампу и замените ее аналогичной (мощностью не более 15 Вт), как показано на рис. 4

Рис. 4

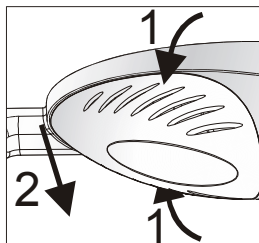
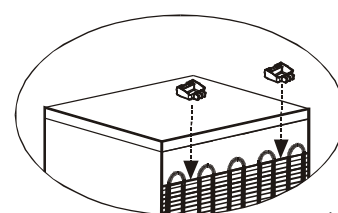


Рис. 5

### Схема установки задних упоров

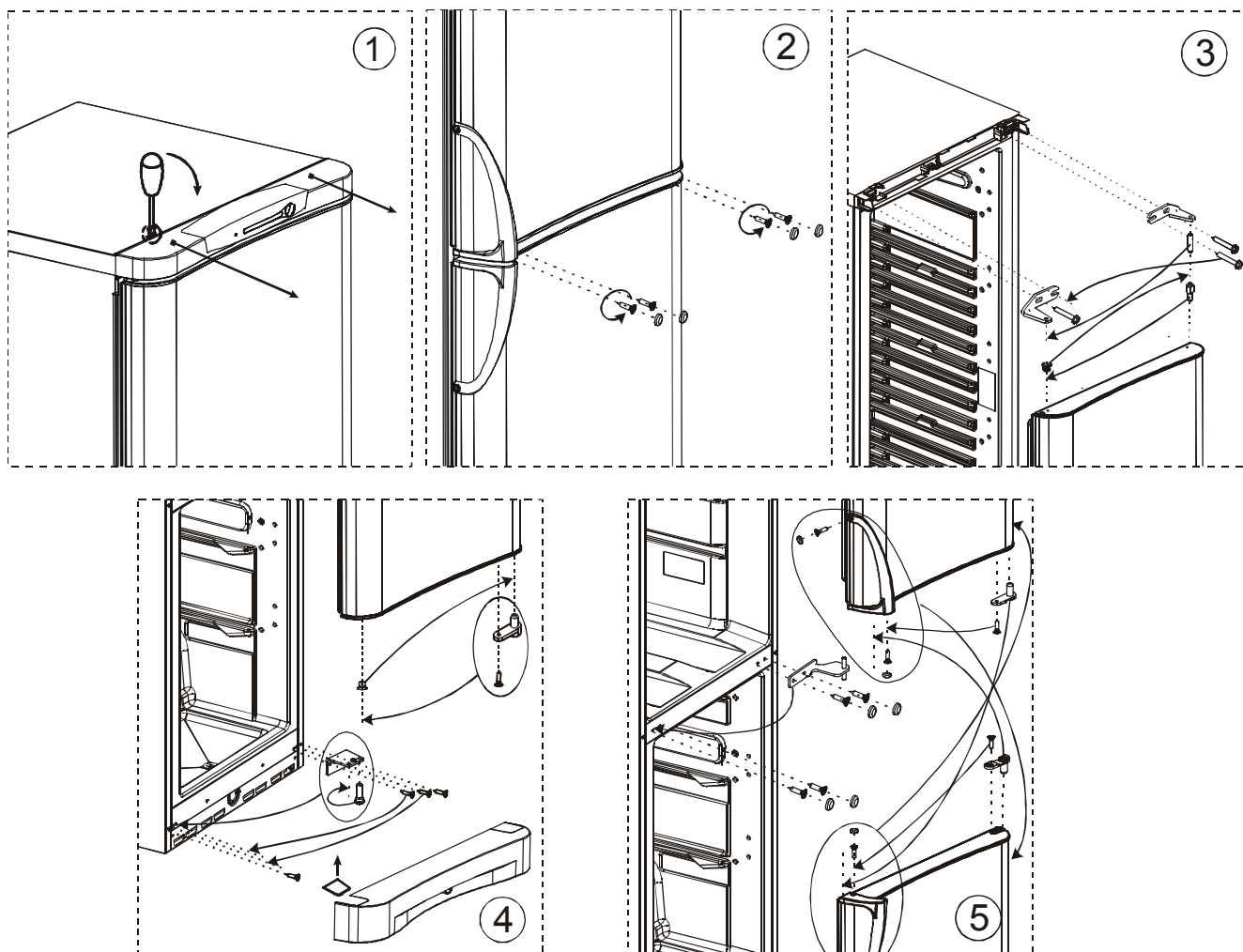




# Схема перенавески дверей

Перенавеска дверей осуществляется согласно схеме, приведенной на рис. 6

Рис. 6



## Устранение неисправностей

В случае неудовлетворительной работы холодильника или возникновения неисправностей прочитайте этот раздел, прежде чем вызывать техников. В большинстве случаев Вы можете решить возникшие проблемы сами.

### Холодильник не работает

*Проверьте, что :*

- в доме не отключено электричество;
- светится индикаторная лампочка;
- вилка надежно вставлена в розетку;
- розетка исправна; для проверки подключите устройство, в исправности которого Вы уверены;

### Температура в отделениях холодильника слишком высокая

*Проверьте, что:*

- дверцы отделений закрыты плотно, уплотнения на дверцах не повреждены;
- ручка терморегулятора находится в правильном положении;
- отделения не переполнены продуктами;
- дверь отделения не открывали часто.

### Продукты в холодильном отделении переохлаждаются

*Проверьте, что:*

- ручка терморегулятора находится в правильном положении;
- продукты не касаются задней части холодильника - она очень холодная.

### Постоянно работает компрессор

*Проверьте, что:*

- дверцы холодильника плотно закрываются и открываются не слишком часто;
- температура в помещении не слишком высокая;
- ручка терморегулятора находится в правильном положении.

### Холодильник слишком шумит при работе

*Проверьте, что:*

- холодильник выровнен.
- холодильник не касается постоянно вибрирующих посторонних предметов (например, окружающей мебели).

Хладагент, циркулирующий внутри системы охлаждения, может негромко булькать, даже если компрессор не работает. Не беспокойтесь, это совершенно нормально.

### В холодильном отделении скапливается вода

*Проверьте, что:*

- дренажное отверстие не засорено (см. рис. 3). Если после проверки холодильник продолжает работать не должным образом, свяжитесь с авторизованным сервисным центром, обслуживающим продукцию марки Indesit.

- Не пользуйтесь услугами лиц, не уполномоченных производителем.
- При ремонте требуйте использования оригинальных запасных частей.

## Технические данные

Наименование параметра	Значение
Габаритные размеры: высота/ширина/глубина, см	167/60/66.5
Общий объем брутто, дм <sup>3</sup>	280
Объем брутто МО, дм <sup>3</sup>	80
Общий объем для хранения, дм <sup>3</sup>	223
Объем для хранения МО, дм <sup>3</sup>	66
Система охлаждения	No Frost
Площадь полок для хранения продуктов, м <sup>2</sup>	1.12
Рекомендуемая равномерная нагрузка на полку, кг, не более	30
Температура окружающей среды при эксплуатации, °С	от +16 до +32
Время повышения температуры в МО от -18 <sup>0</sup> С до -9 °С, при отключении эл. питания, ч	17
Класс энергетической эффективности	C
Потребление энергии, кВт · ч/24 часа,	1.25
Количество компрессоров	1
Масса нетто, кг	71.8
Установленный срок службы, лет	10
Средний срок службы, лет	15

Остальные данные приведены в Табличке-паспорте.

## ЭНЕРГЕТИЧЕСКАЯ ЭФФЕКТИВНОСТЬ ХОЛОДИЛЬНЫХ ПРИБОРОВ

Изготовитель	 <b>Indesit</b>	
Модель	<b>C132 NF G</b>	
Максимально эффективный		
Минимально эффективный		
Потребление электроэнергии, кВт*ч/год		<b>456</b>
Общий объем для хранения свежих продуктов, дм <sup>3</sup>		<b>157</b>
Общий объем для хранения замороженных продуктов, дм <sup>3</sup>		<b>66</b>
Символы маркировки самого холодного отделения		
Корректированный уровень звуковой мощности, дБа		<b>43</b>
Экологическая чистота хладагента	<b>Да</b>	
<small>Этикетка эффективности: ГОСТ Р 51565-2000      ГОСТ Р 51388-99 DIN FN153-90      Директива 86/594/ЕЕС (для NF)</small>		

Изготовитель  
ЗАО "Завод холодильников  
**СТИНОЛ**"  
РОССИЯ, 398040 г. Липецк,  
Пл. Metallургов 2  
ЗАО «ЗХ СТИНОЛ»  
Служба сервиса  
тел: (0742) 42 41 00.  
Код документа: 645930

# McGrp.Ru



## Сайт техники и электроники

Наш сайт [McGrp.Ru](http://McGrp.Ru) при этом не является просто хранилищем [инструкций по эксплуатации](#), это живое сообщество людей. Они общаются на форуме, задают вопросы о способах и особенностях использования техники. На все вопросы очень быстро находят ответы от таких же посетителей сайта, экспертов или администраторов. Вопрос можно задать как на форуме, так и в специальной форме на странице, где описывается интересующая вас техника.