

OWNER'S MANUAL

1

1 3

1 &	www.lg.com	8-80 -2 0.7 76
	www.lg.com	0-800-303-000
	www.lg.com	8-8000-805-805 2255
	www.lg.com	8-820-0071-1111
	www.lg.com	8-0003-271
	www.lg.com	8-800-30-800
	www.lg.com	800- 90

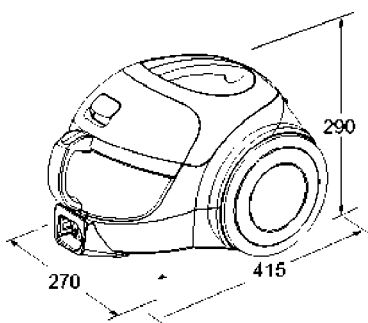


7210* **

7210* **

Table of contents

Specification?.....	
! 1 0 (
IMPORTANT SAFETY INSTRUCTIONS.....	4-11
1 13 1	
Howto use.....	12
Assembling vacuum cleaner.....	12-16
nwiocciCy 1	
Operating vacuum cleaner	17-18
^ 1 !	
Using carpet and hard floor nozzle.....	19-20
[apHanfaH ;; 1 - * &	
Using Floor nozzle, mini turbine nozzle and pet nozzle	21
11-1 1 1 eeix 1 1 ' 1 - ^ ' , m & p 1	
Using accessory nozzles.....	22-23
^ »^ ^	
Emptying dust tank.....	24
/	
Cleaning dust tank.....	25
1	
uiShf af	
Cleaning dust separator.....	26-27
1 >1 1	
;; 11	
Cleaning exhaust filter.....	28
Ouucina BuiurpHoiQ (cysriurri	
What to do if your vacuum cleaner does not work?	29
, ? , ? icrey ?	
What to do when suction performance decreases?	29
, ? , 1 ? icrey ?	
Specifications	
« 1 '	



Dimension: 415(mm) 270(mm) x290(mm)=L W
; 415(mm) 270(mm) 290()=
PosMipn: 415(mm) 270(mm) x290(mm)=
: 415(mm) 270(mm) x290(mm)=L W

IMPORTANT SAFETY INSTRUCTIONS

Read and follow all instructions before using your vacuum cleaner to prevent the risk of fire, electric shock, personal injury, or damage when using the vacuum cleaner. This guide does not cover all possible conditions that may occur. Always contact your service agent or manufacturer about problems that you do not understand. This appliance complies with the following EC Directives: 2006/SS/EC Low Voltage Directive-2004/10/EC EMC Directive



This is the safety alert symbol.

This symbol **alerts** you to potential hazards that can kill or hurt you and others.

All safety messages will follow this safety alert symbol and either the word "WARNING" or "CAUTION."

These words mean:



This symbol will alert you to hazards or unsafe practices which could cause serious bodily harm or death.



This symbol will alert you to hazards or unsafe practices which could cause bodily injury or property damage.



- **Disconnect electrical supply before servicing or cleaning the unit or when cleaner is not in use.**
Failure to do so could result in electrical shock or personal injury.
- **Do not use vacuum cleaner to pick up anything that is burning or smoking such as cigarettes, or hot ashes.**
Doing so could result in death, fire or electrical shock.
- **Do not vacuum flammable or explosive substances such as gasoline, benzene, thinners, propane (liquids or gases).**
The fumes from these substances can create a fire hazard or explosion. Doing so could result in death or personal injury.
- **Do not handle plug or vacuum cleaner with wet hands.**
Doing so could result in death or electrical shock.
- **Do not unplug by pulling on cord.**
Doing so could result in product damage or electrical shock. To unplug, grasp the plug, **not** the cord.
Keep hair, loose clothing, fingers, and all parts of the body away from openings and moving parts.
Failure to do so could result in electrical shock or personal injury.
- **Do not pull or carry by cord, use cord as a handle, drape a cord over, or pull cord around sharp edges or corners. Do not run vacuum cleaner over cord. Keep cord away from heated surfaces.**
Failure to do so could result in electrical shock or personal injury or fire or product damage.
- **Do not allow to be used as toy. Close attention is necessary when used by or near children.**
Personal injury or product damage could result.
- **Do not use the vacuum cleaner if the power cord or plug is damaged or faulty.**
If the power cord is damaged, it must be replaced by an approved LG Electronics Service Agent to avoid a hazard.
- **Do not use vacuum cleaner if it has been under water.**
Personal injury or product damage could result. In these cases, contact LG Electronics Service Agent to avoid hazard.
- **Do not continue to vacuum if any parts appear missing or damaged.**
Personal injury or product damage could result. In these cases, contact LG Electronics Service Agent to avoid hazard.
- **Do not use an extension cord with this vacuum cleaner.**
Fire hazard or product damage could result.
- **Using proper voltage.**
Using improper voltage may result in damage to the motor and possible injury to the user. Proper voltage is listed on the bottom of vacuum cleaner.
- **Turn off all controls before unplugging.**
Failure to do so could result in electrical shock or personal injury.
- **Do not change the plug in any way.**
Failure to do so could result in electrical shock, personal injury or product damage. Doing so could result in death. If plug does not fit, contact a qualified electrician to install the proper outlet.
- **Repairs to electrical appliances may only be performed by qualified service engineers.**
Improper repairs may lead to serious hazards for the user.
- **Do not plug in if control knob is not in OFF position.**
Personal injury or product damage could result.
(Depending on model)
- **Keep children away and beware of obstructions when rewinding the cord to prevent personal injury.**
The cord moves rapidly when rewinding. (Depending on model)
- **The hose contains electrical wires. Do not use it if it is damaged, cut or punctured.**
Failure to do so could result in death, or electrical shock.
(Depending on model)

IMPORTANT SAFETY INSTRUCTIONS

A CAUTION

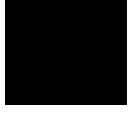
- **Do not put any objects into openings.**
Failure to do so could result in product damage.
- **Do not use with any opening blocked: keep free of dust, lint, hair, and anything that may reduce air flow.**
Failure to do so could result in product damage.
- **Do not use vacuum cleaner without dust tank and/or filters in place.**
Failure to do so could result in product damage.
- **Do not use vacuum cleaner to pick up sharp hard objects, small toys, pins, paper clips, etc.**
They may damage the cleaner or dust tank.
- **Store the vacuum cleaner indoors.**
Put the vacuum cleaner away after use to prevent tripping over it.
- **This appliance is not intended for use by persons (including children) with reduced physical, sensory or mental capabilities, or lack of experience and knowledge, unless they have been given supervision or instruction concerning use of the appliance by a person responsible for their safety.**
Children should be supervised to ensure that they do not play with the appliance.
- **Only use parts produced or recommended by LQ Electronics Service Agents.**
Failure to do so could result in product damage.
- **Use only as described in this manual. Use only with LG recommended or approved attachments and accessories.**
Failure to do so could result in personal injury or product damage.
- **To avoid personal injury and to prevent the machine from falling when cleaning stairs, always place it at the bottom of stairs.**
Failure to do so could result in personal injury or product damage.
- **Use accessory nozzles in sofa mode.**
Failure to do so could result in product damage.
- **Make sure the filters (exhaust filter and motor safety filter) are completely dry before replacing in the machine.**
Failure to do so could result in product damage.
- **Do not dry the filter in an oven or microwave.**
Failure to do so could result in fire hazard.
- **Do not dry the filter in a clothes dryer.**
Failure to do so could result in fire hazard.
- **Do not dry near an open flame.**
Failure to do so could result in fire hazard.
- **Always clean the dust tank after vacuuming carpet cleaners or fresheners, powders and fine dust.**
These products clog the filter, reduce airflow and can cause damage to the cleaner. Failure to clean the dust tank could cause permanent damage to the cleaner.
(Depending on model)
- **Do not grasp the tank handle when you are moving the vacuum cleaner.**
The vacuum cleaner's body may fall when separating tank and body. Personal injury or product damage could result. **You should grasp the carrier handle when you are moving the vacuum cleaner.** (Depending on model)
- **After emptying the dust tank the indicator light is on (red), clean the dust tank.**
Failure to do so could result in product damage.
(Depending on model)

Thermal protector:

This vacuum cleaner has a special thermostat that protects the vacuum cleaner in case of motor overheating. If the vacuum cleaner suddenly shuts off, turn off the switch and unplug the vacuum cleaner. Check the vacuum cleaner for possible source of overheating such as a full dust tank, a blocked hose or clogged filter. If these conditions are found, fix them and wait at least 30 minutes before attempting to use the vacuum cleaner. After the 30 minute period, plug the vacuum cleaner back in and turn on the switch. If the vacuum cleaner still does not run, contact a qualified LQ authorised Service Agent.

-2006/95/

-2004/108/



« » « »



LG Electronics.

(

LG Electronics.

()

1

«

»



1

11 Q1

14

61

LG Electrónica.

LG Electronics.

1)

2) (. 11,12).

(. 11).

2-3

()

!

(cip. 10).

()

LG Electronics

1 : -2006/95/

9 -2004/10 /

6 : ; -2006/95/



1 | ! , / **cepeiHoro** LG Electronics. 1 1 1

1, 1» , [LG Electronics. ! || , ! 1

^ 1 (1] • 1] ! i 1 1 1

1 - 1 ! 1 1 1 1

uiei ! 1

1 1 1 1 1 1 1 1

1 1 1 1 **cepeiCHHM** ! 1

OFF (1). 6 .(1) 1 1 1

(ycix) 1 ! , 1

^1 ! , . (ycix)

1

1 13 1 ¥



• 1

• 1

• ¥ 1 1 1

• atí a a

• ¥ 1 1 ¥

• 1 1 1

• 1 1 1

• cai(Tayfa)

• LG Electronics

• LG

• 1

• 1 £| 1 1

30 1

• 1 1^

• 1 1 1

• 1 1 1 13.

• 1 1 (1 1

cyarid) ¥ 1(1

1 1.

• !

• ! 1 1 1

• 1 1 1

• 1 1 1

• ! 1 1, 1

61 ^ |.()

• 1 1 1

• 1

• ()

• 1 1 1 1 1 1 1 1 1 1 1 1

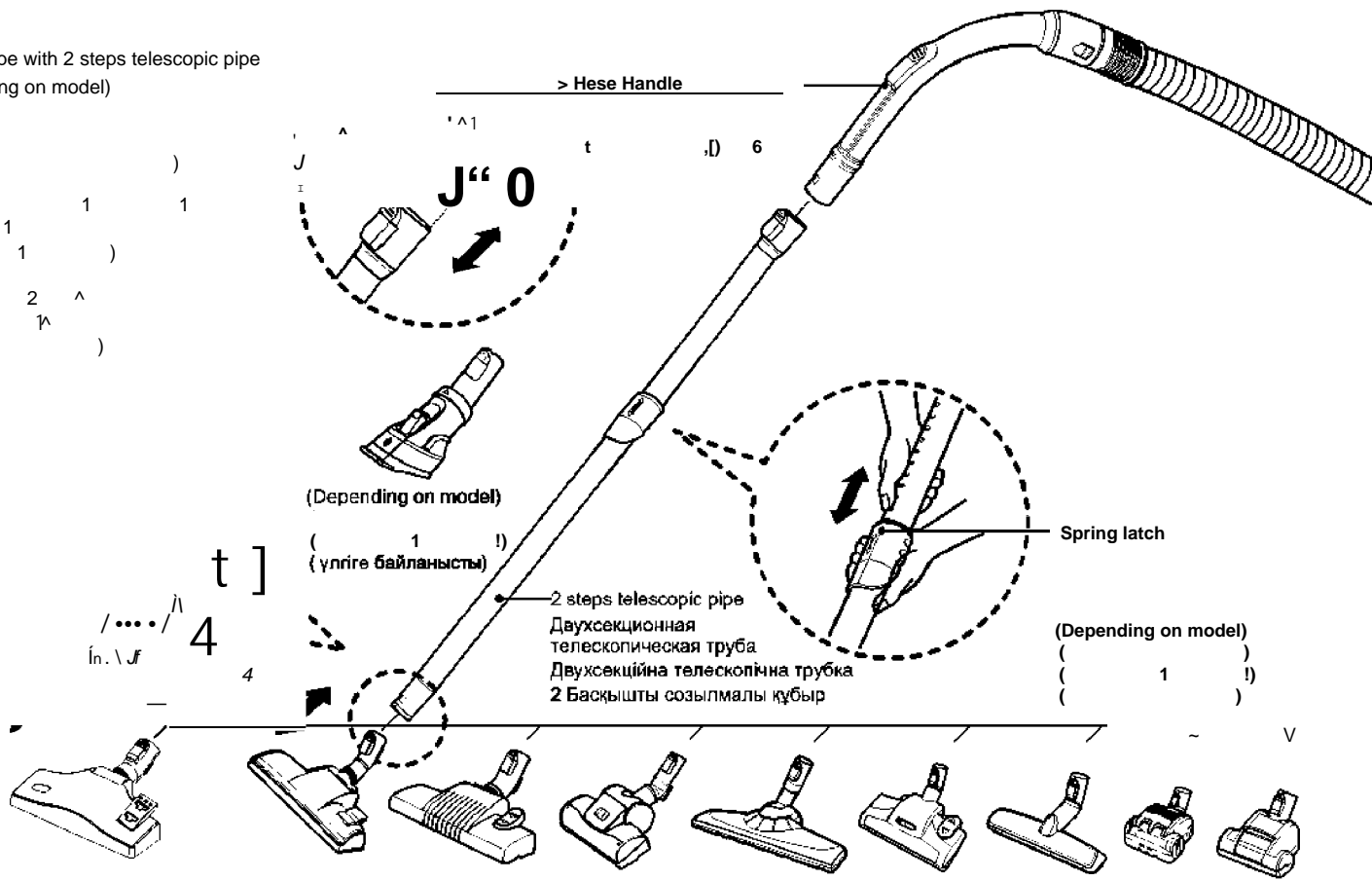
1 30 1 1 1

How to use

Assembling vacuum cleaner

Rotary type with 2 steps telescopic pipe
(Depending on model)

C



Carpet and floor nozzle

1 !

Push the nozzle into the telescopic pipe.

Telescopic pipe

1 |)

- Push telescopic pipe firmly into hose handle
- Grasp the spring latch to expand,
- Push Out the pipe to desired length.

!ryiliuce

> | ! 1 1

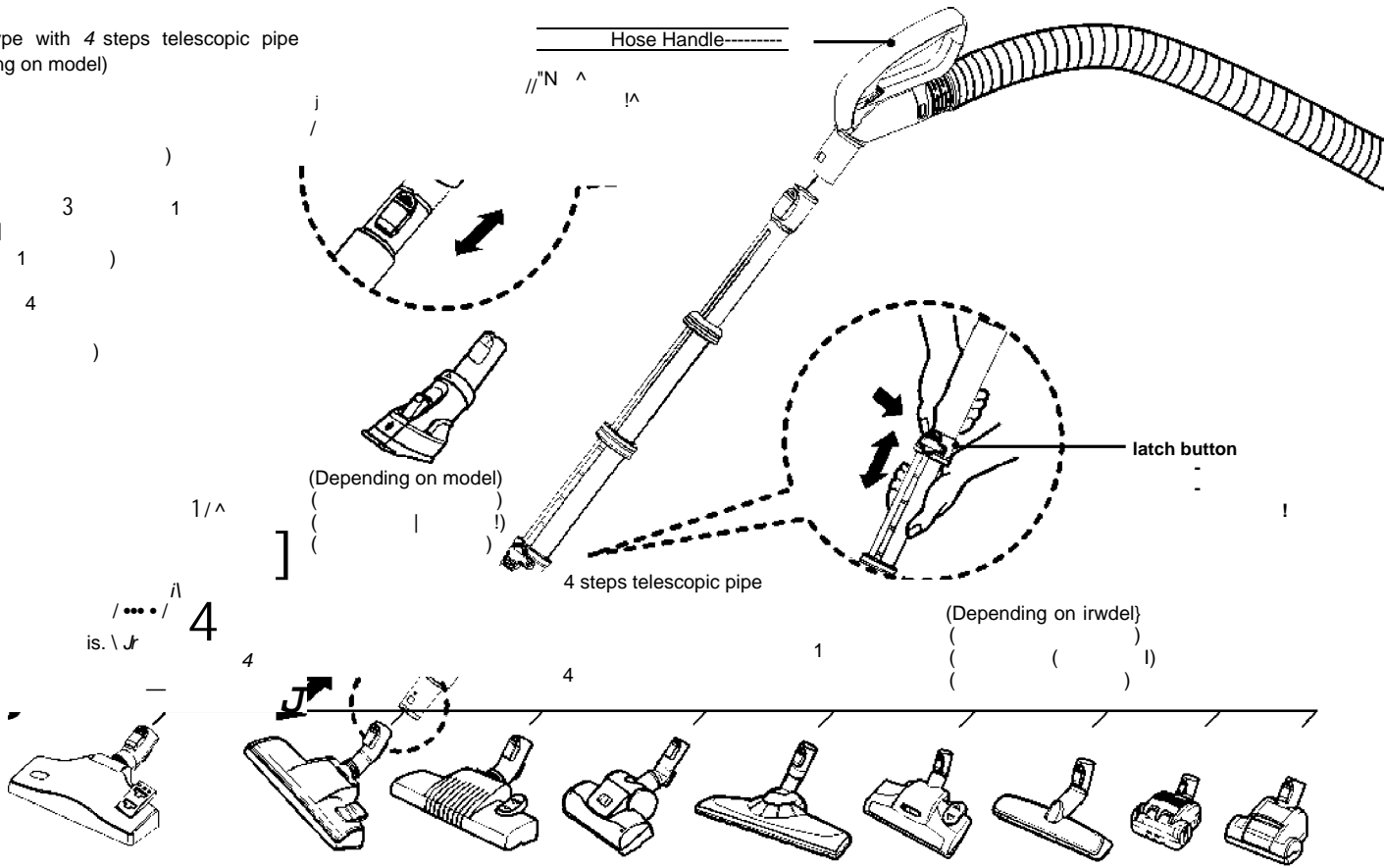
How to use

Assembling vacuum cleaner

Rotary type with 4 steps telescopic pipe
(Depending on model)

C

()
3 1
(1)
4
(1)



Carpet and floor nozzle

| 1

Push the nozzle into the telescopic pipe.

Telescopic pipe

1
! 1

- Press the latch button to expand
- Push out the pipe to desired length
- To make short, press the latch button and pull to the pipe.

•
•
•

• 1
• 1
> 1

> ¥ 1 1 1 1 1
YUiytt ! 1 1

How to use

Assembling vacuum cleaner

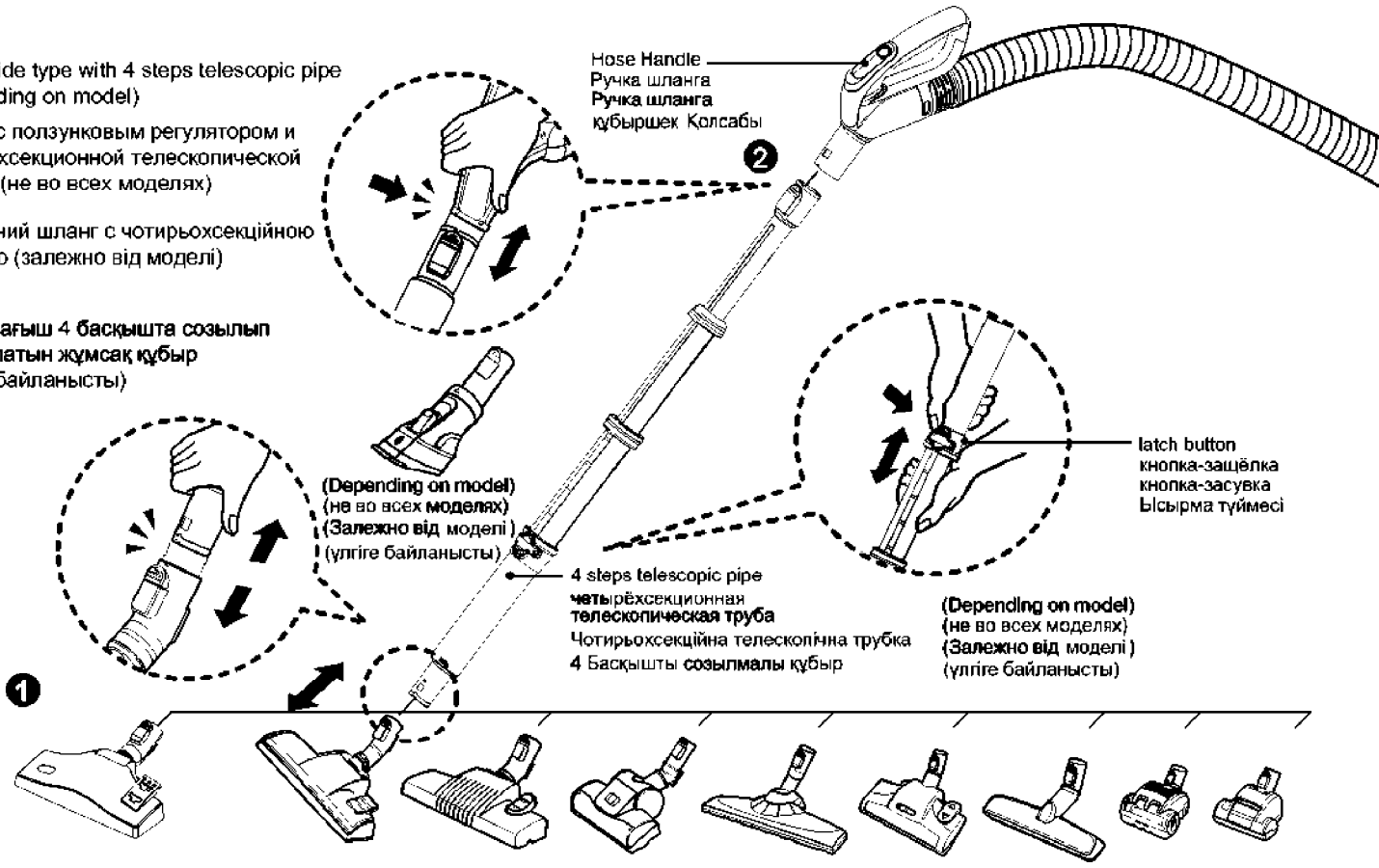
Hose slide type with 4 steps telescopic pipe
(Depending on model)

Шланг с ползунковым регулятором и
четырёхсекционной телескопической
трубой (не во всех моделях)

Розсувний шланг с чотирьохсекційною
трубою (залежно від моделі)

Сырғанағыш 4 басқышта созылып
жыйналатын жұмсақ құбыр
(үлгіге байланысты)

Hose Handle
Ручка шланга
Ручка шланга
құбыршек Қолсабы



(Depending on model)
(не во всех моделях)
(Залежно від моделі)
(үлгіге байланысты)

4 steps telescopic pipe
четырёхсекционная
телескопическая труба
Чотирьохсекційна телескопічна трубка
4 Басқышты созылмалы құбыр

latch button
кнопка-засівка
кнопка-засувка
Ысырма түймесі

(Depending on model)
(не во всех моделях)
(Залежно від моделі)
(үлгіге байланысты)

Carpet and floor nozzle

- 1
- 1
- i
- 1

Push the nozzle into the telescopic pipe.

Telescopic pipe

- 1
- !
- 1

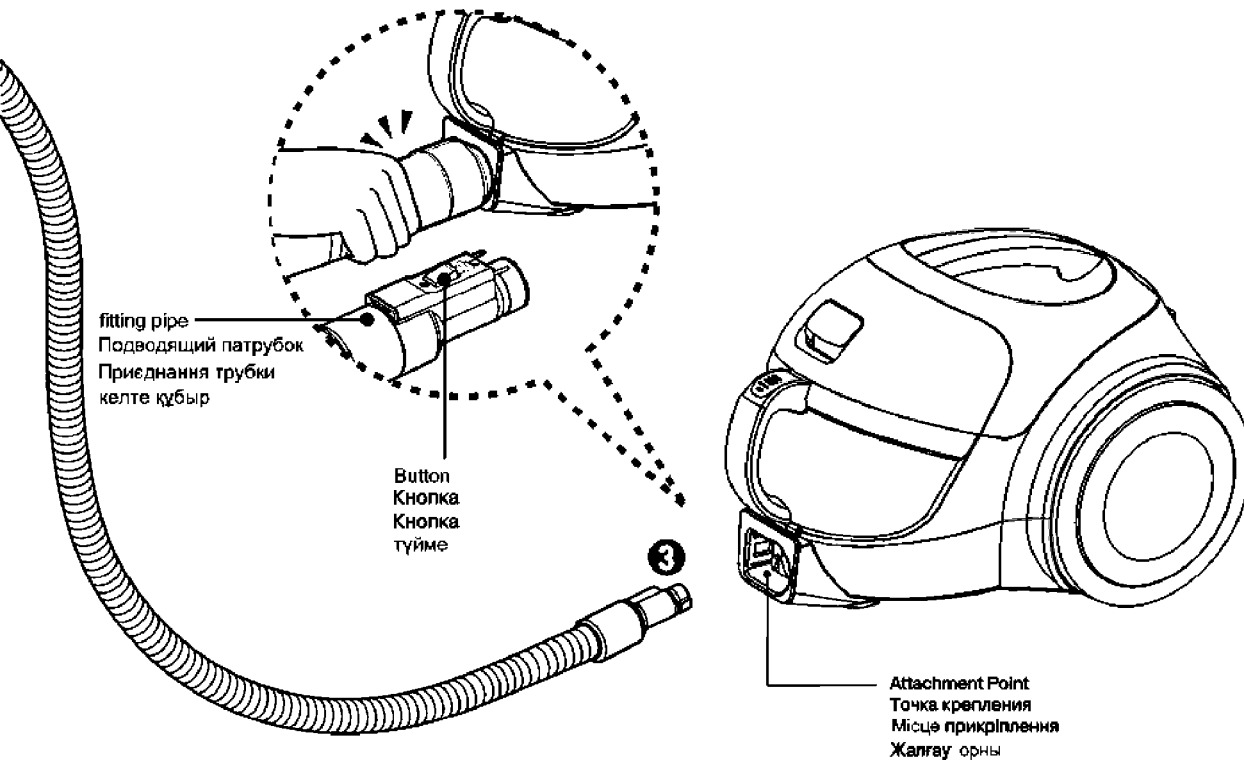
- Press the latch button to expand.
- Push out the pipe to desired length.
- To make short ,press the latch button and pull to the pipe.

1 1 ! 1

1 1 0 16 01 1

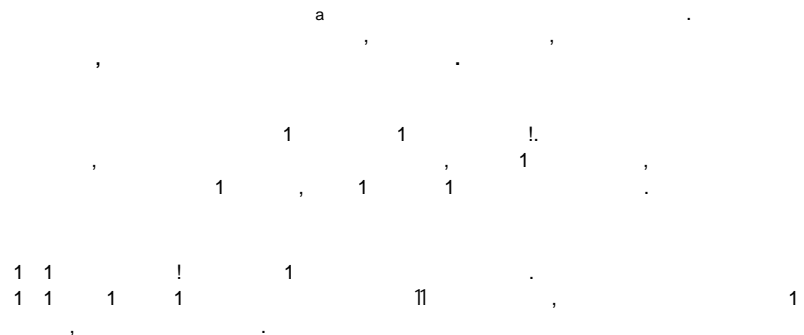
How to use

Assembling vacuum cleaner



0 Connecting the hose to the vacuum cleaner

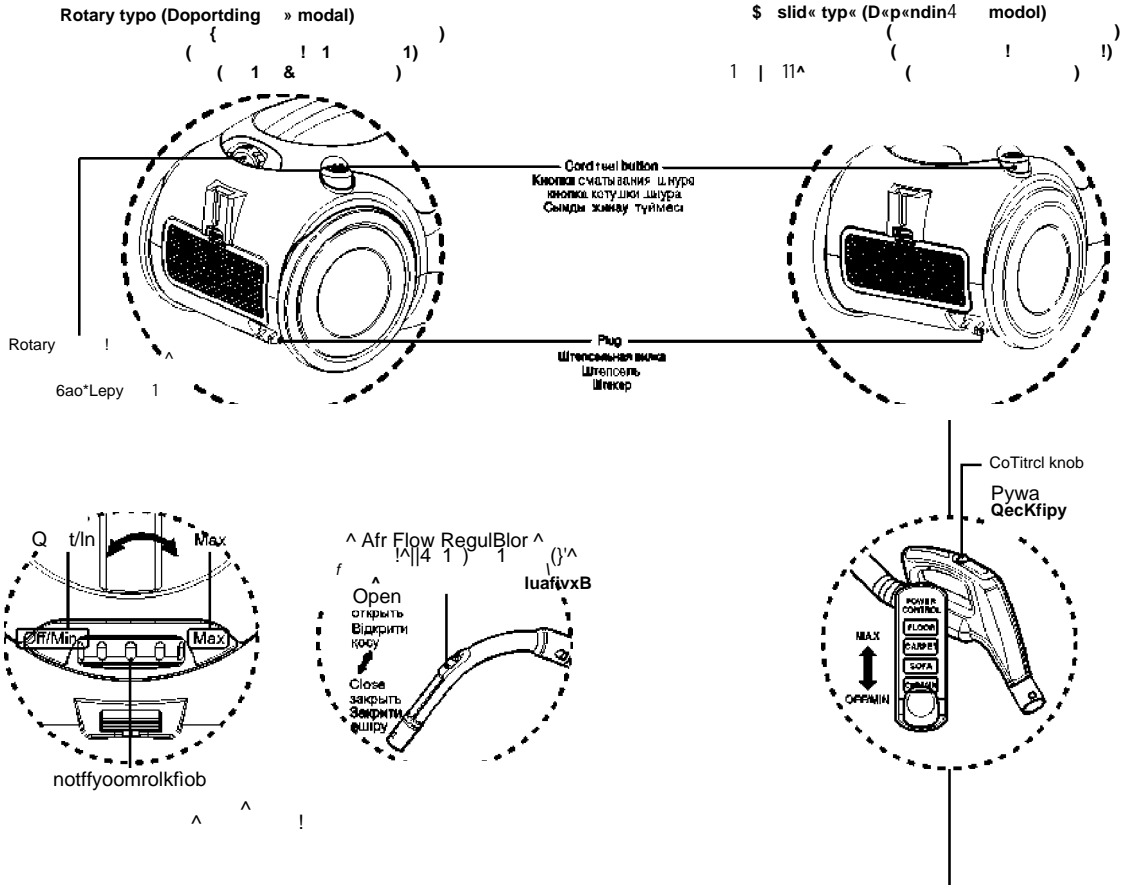
Push the fitting pipe on the flexible hose into the attachment point on the vacuum cleaner.
 To remove the flexible hose from the vacuum cleaner, press the button situated on the fitting pipe, then pull the fitting pipe out of the vacuum cleaner.



How to use

operating vacuum cleaner

1



How to Operate (Rotary type)

- Pull out the power cord to the desired length and plug into the socket
- **Slide the rotary Control knob to start the vacuum cleaner and adjust the suction level.**
- The flexible hose handle has a manual flow regulator which allows you to briefly reduce the suction level.
- **Press the cord reel button to rewind the power cord after use.**

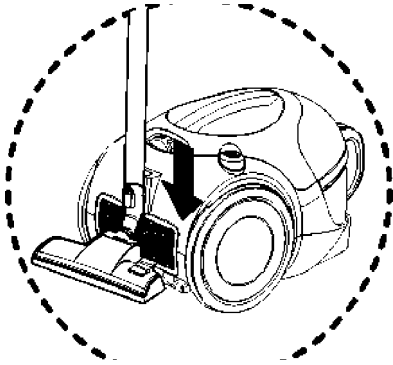
How to operate (sliding type)

- Pullout the power cord to the desired length and plug into the «Khs4».
- **Fl « the < knob of the hoM hand« to the required pod ton.**
- **Totirii CiffjsldoontFdlaiobto Off position.**
- **Pr«\$\$ the cord reel button to i«Mit>d the power cord after US«.**

How to use

Operating vacuum cleaner

1



0 Park mode

1^

- To store during vacuuming, for example to move as small piece of furniture or rug, use park mode to support the flexible hose and nozzle.
- Side the hook on the nozzle into the slot on the side of vacuum cleaner.

•

-

•

1, |

1, |

(

-

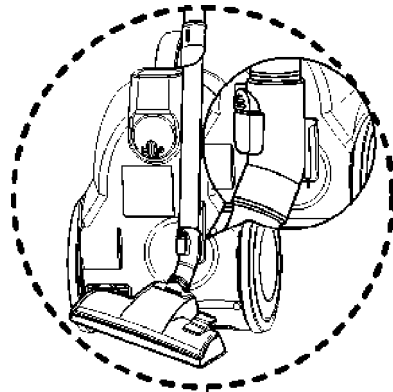
!

* 1 1 1

- >1

inretti (

(1 1



Q Storage

1

- When you have **switched** off and unplugged the vacuum cleaner, **press the cord reel button** to automatically **rewind the cord**.
- You can store your vacuum cleaner in a vertical position by sliding the hook on the nozzle into the slot on the underside of the vacuum cleaner.

•

•

• 1

6 1

1

1 1

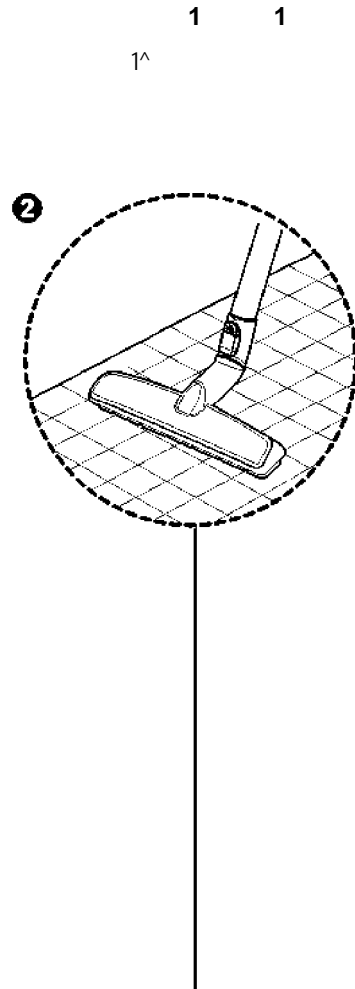
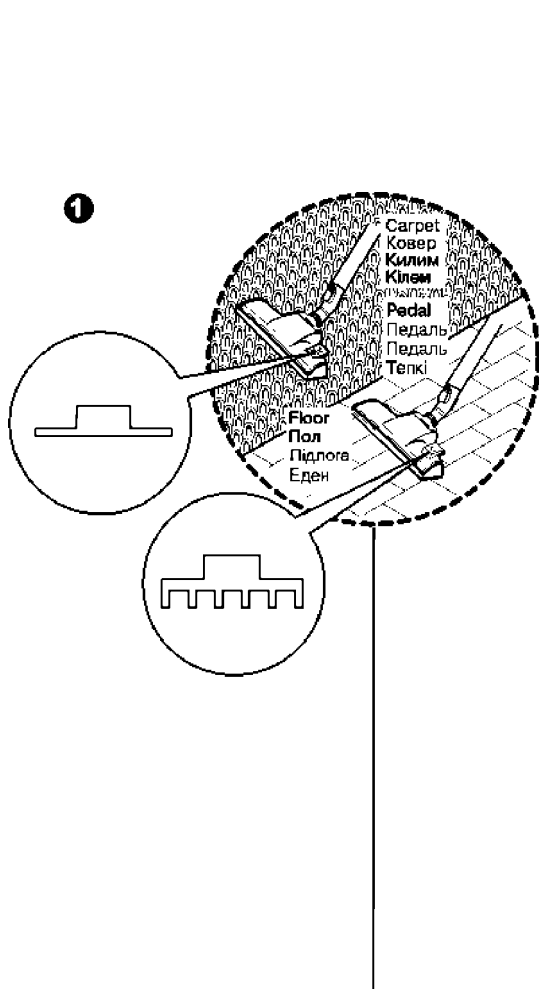
1

6 1 1 1 »

1

How to use

Using carpet and hard floor nozzle



1 Carpet and floor nozzle (Depending on model)

2 Hard Floor Nozzle (Depending on model)

*** The 2 position nozzle**

This is equipped with a pedal which allows you to alter its position according to the type of floor to be cleaned.
Hard floor position (tiles, parquet floors...)
Press on the pedal to lower the brush.
Carpet or rug position.
Press on the pedal to lift the brush up.

- Efficient cleaning of hard floors (wood, tile, linoleum, etc)

* 2-x

* ...

• 2 1 1 1

1^

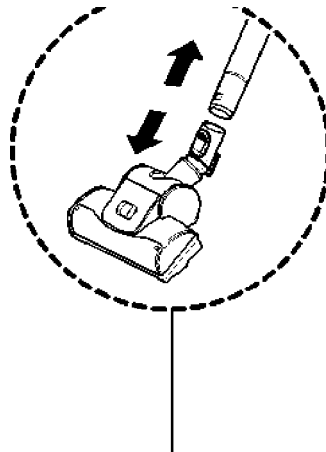
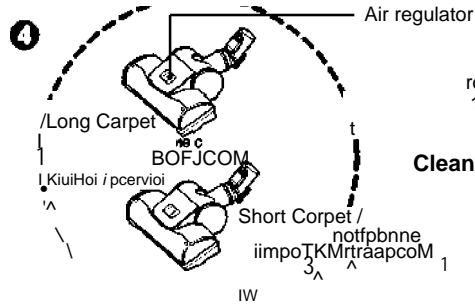
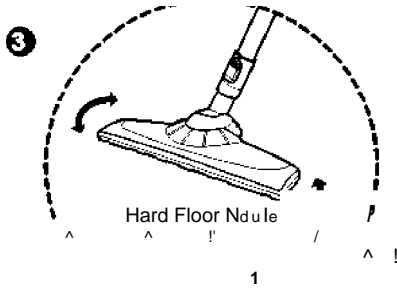
> (, . .)

• (, niaoaeM.Tjt)

> ^ (, . .)

How to use

Using carpet and hard floor nozzle



1

1

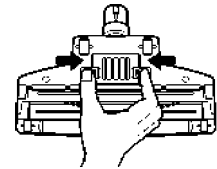
roeirpa
1

Cleaning Turbine Nozzle

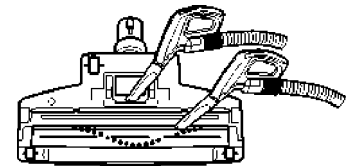
1

1

open



Bottom



Q Hard Floor Nozzle (Depending on model)

1 [ynrtre

*You perform cleaning at any place like corner or crevice since rotation of tie **suction hole is free.**

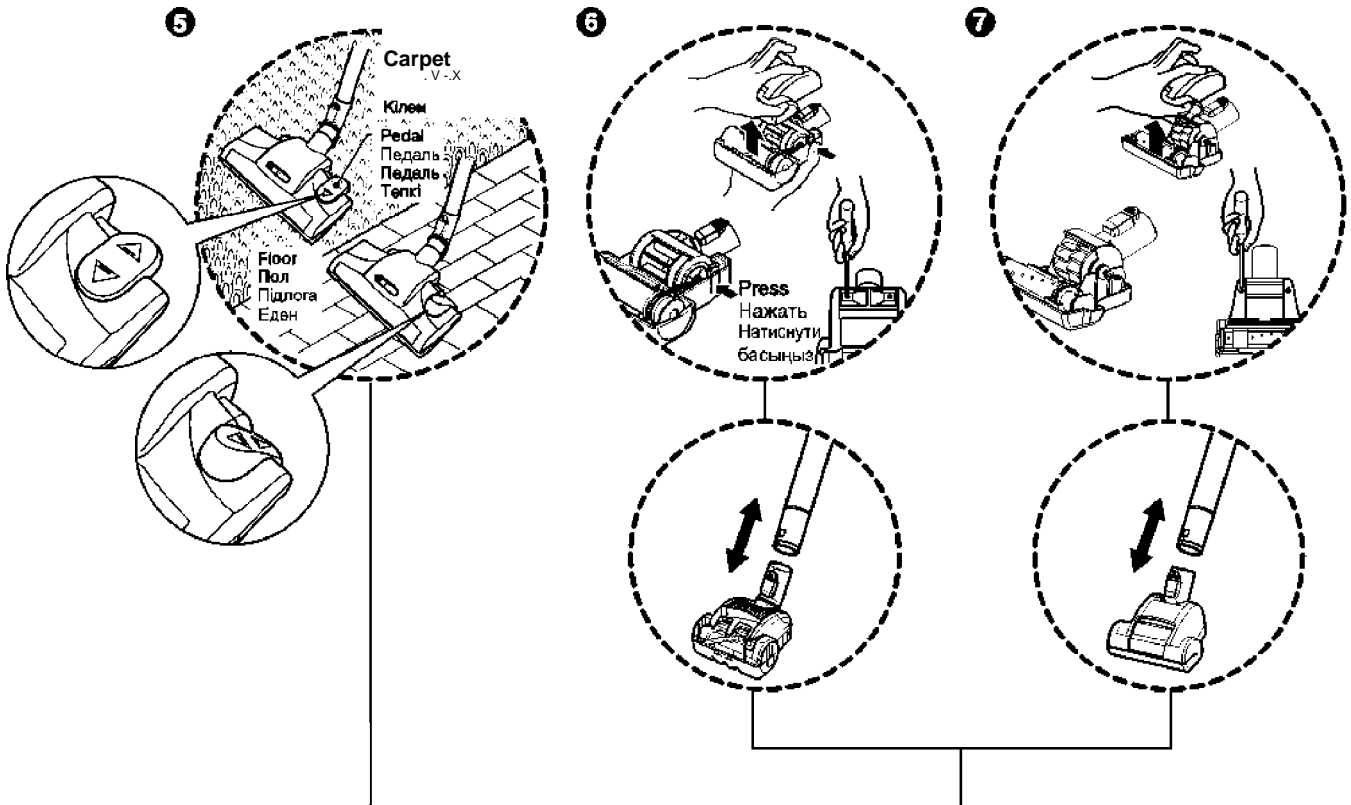
Q Turbine Nozzle (Depending on model)

1^

- **Cleaning turbine brush nozzle.**
- Press the button on the rear side of the nozzle to separate the air cover.
- Use the dusting brush & crevice tool to vacuum clean the brush and fan.

How to use

Using All Floor nozzle, mini turbine nozzle and pet nozzle



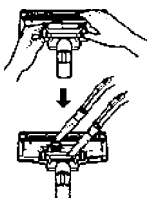
Q0 All Floor nozzle (depending on model)

Q0 Mini turbine nozzle/Pet nozzle (depending on model)

- **2 position nozzle**
This is equipped with a pedal which allows you to rotate the nozzle according to the type of floor to be cleaned.
- **Carpet or rug position**
Press the pedal (A), then brush will rotate.
- **Hard floor position**
Press the pedal (A) then brush will stop rotating.

- Mini turbine nozzle is used for stairs and other hard to reach places.
- To clean the nozzle, remove the nozzle cover: Remove screws on the bottom and take the nozzle cover off as shown.
- **Frequently clean and remove hair, string, and lint build-up in the brush area.** Failure to do so could damage to the nozzle.

Cleaning All Floor nozzle



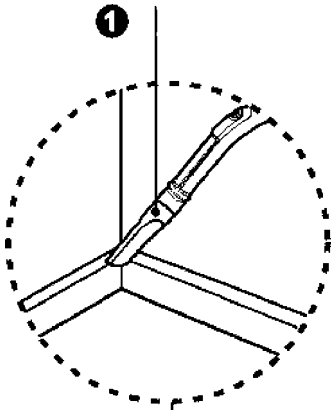
- Open the nozzle by pulling the hook.
- Clean the hole and brush of the nozzle.
- Close the nozzle.

How to use

Using accessory nozzles

Crevice tool (depending on model)

(scBx)
1 (edx)
(1)

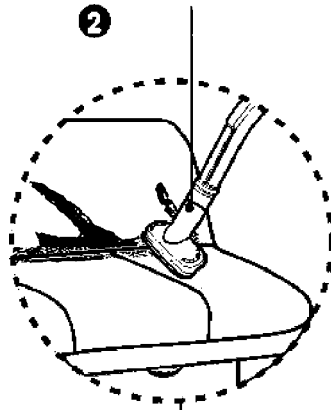


1 Crevice tool
Насадка для чистки в щелях

Crevice tool is for vacuuming in those normally hard to reach places such as reaching cobwebs or between the cushions of a sofa.

Upholstery nozzle (depending on model)

()
(1)
(yniire)

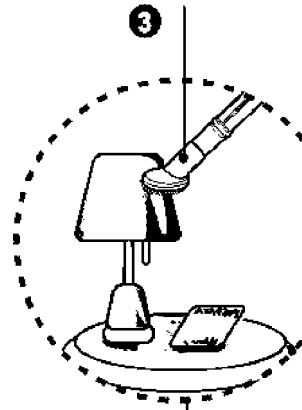


2 Upholstery nozzle

Upholstery nozzle is for vacuuming upholstery, mattresses etc.

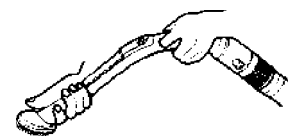
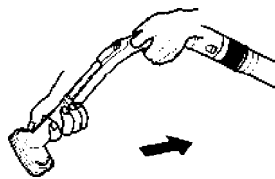
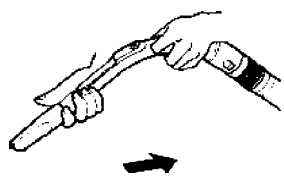
Dusting brush (depending on model)

»(* < ())
!) ((!)
(ynrIre)



3 Dusting brush

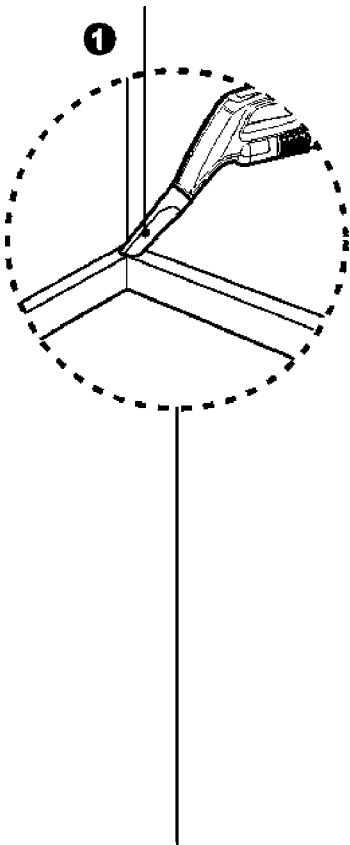
Dusting brush is for vacuuming picture frames, furniture tuTios, books and other irregular surfaces.



How to use

Using accessory 7 nozzles

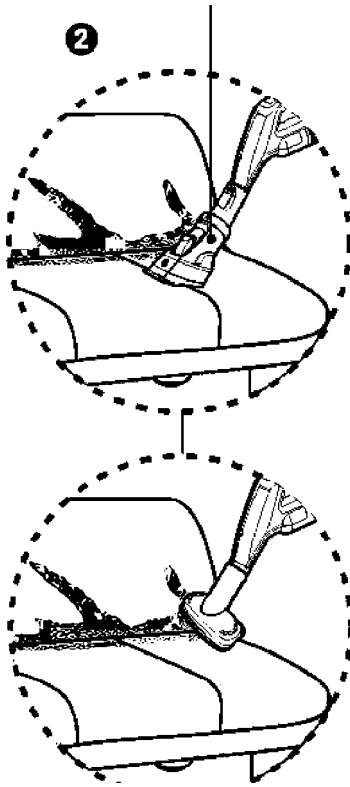
Crevice tool (depending on model)



Crevice tool

Crevice tool is for vacuuming in those normally hard to reach places such as reaching cobwebs or between the cushions of a sofa.

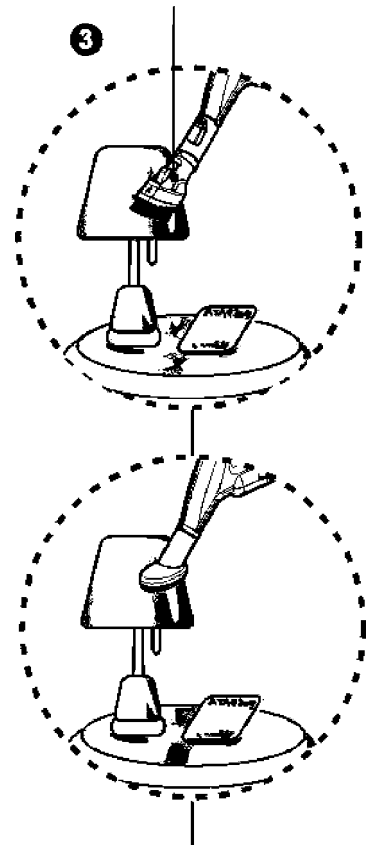
Upholstery nozzle (depending on model)



Upholstery nozzle

Upholstery nozzle is for vacuuming upholstery, mattresses etc.

Dusting brush (depending on model)



Dusting brush

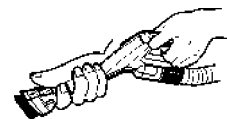
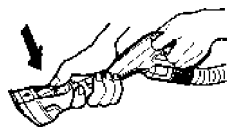
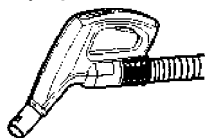
Dusting brush is for vacuuming picture frames, furniture frames, books and other irregular surfaces.

Use

Use the sofa mode.

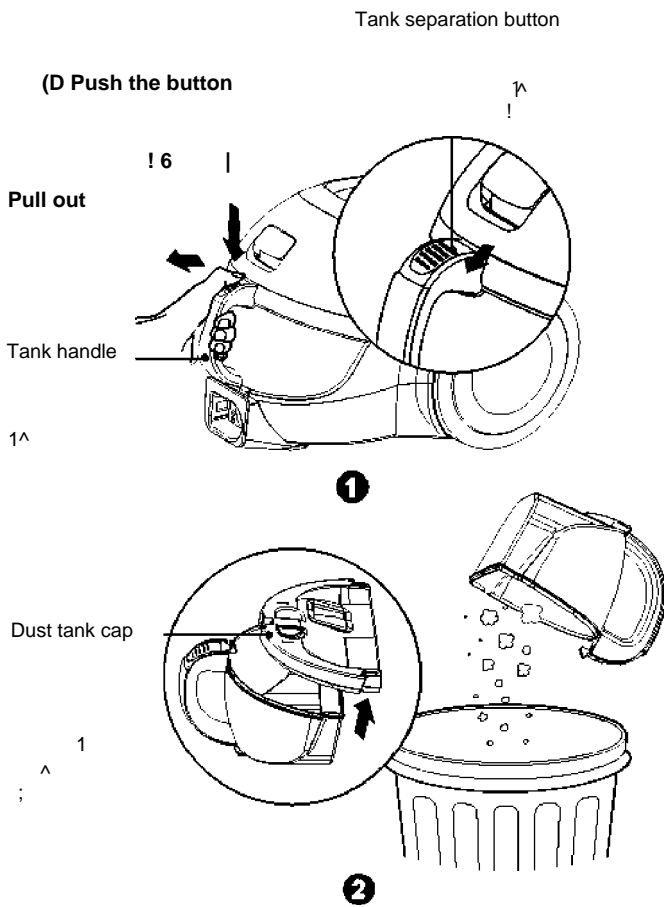
Use the

Use



How to use

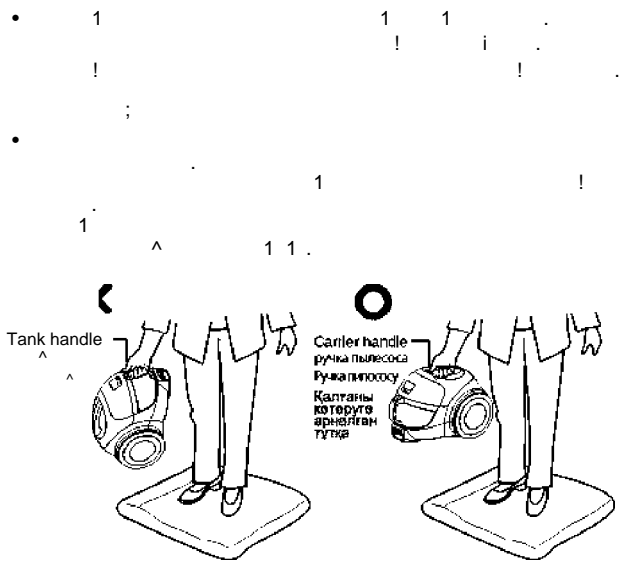
Emptying dust tank



Caution: Moving the vacuum cleaner

- Don't grasp the tank handle when you are moving the vacuum cleaner. The vacuum cleaner's body may fall when separating tank and body. You should grasp the carrier handle when you are moving the vacuum cleaner.

• He



The dust tank needs emptying when the dust reach to the max line.

- Turn off the vacuum cleaner and unplug it.
- Grasp the handle of the tank and then press the tank separation button.
- Pull out the dust tank.
- Empty the tank and then assemble the dust tank.

NOTICE

- If suction power decreases after emptying the dust tank clean the air filter and tie motor safety filter page 20

61 Toili
crop 20.

1 1
^20-

1 1

How to use

Cleaning dust tank

Λ

1

Tank separation button

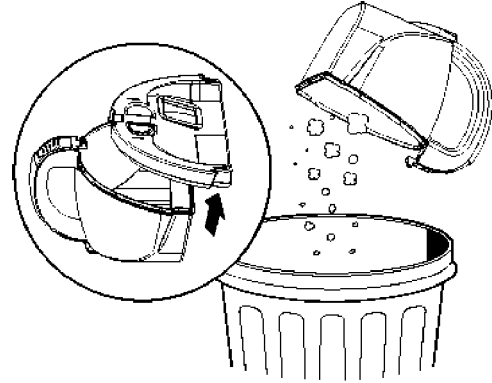
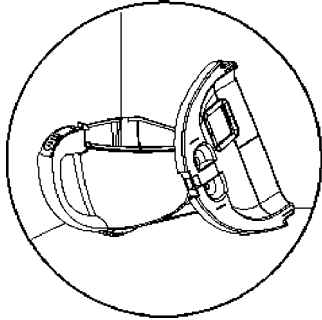
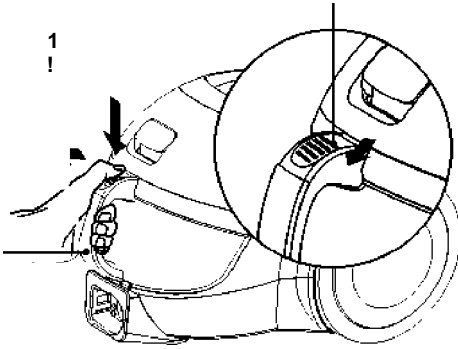
Push the button

® Pull out

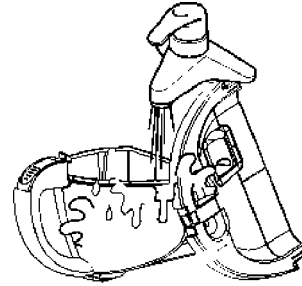
1

Tank handle
PVKa

1λ



2



3

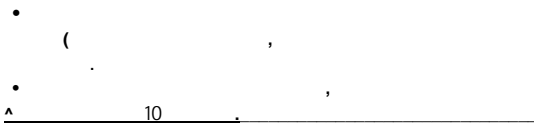
- 0 Press tank separation button and pull out the dust tank.
- 0 Raise the dust tank cap
- 0 Wash the dust tank and the dust tank cap.
- 0 Dry fully in shade so that moisture is entirely removed.

WARNING!

- Gently rinse both parts separately under a cold running tap until the water runs clear.
- Do not use detergent or a washing machine or dishwasher.

A

)



1
1 1 1

Miopi, nOBHicno

1 1 .

!

• 0 1

•

!

• ;

Korrepiitis,

e i

• Kip , Kip

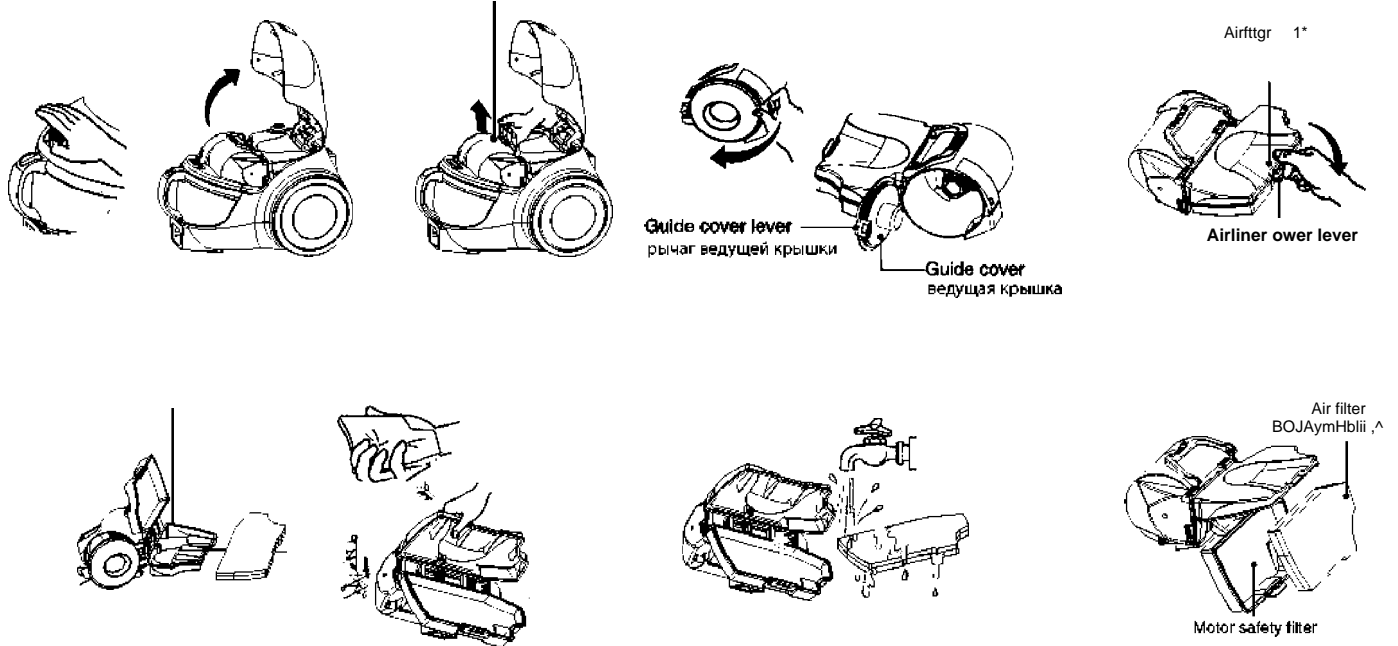
1(6 . .

How to use

Cleaning dust separator

- In the dust separator, air filter, motor safety filter

Dust separator



7

If suction power decreases after cleaning the dust tank, clean the air filter and the motor safety filter. The air filter and the motor safety filter are located on the top of the vacuum cleaner as shown in the figure.

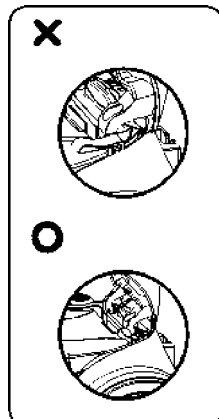
- Open the vacuum cleaner cover by pulling the button.
- Open the guide cover by pushing the guide cover lever and remove the dust.
- Open the air filter cover by pushing the air filter cover lever and take out the air filter.
- Wash the air filter and the motor safety filter.
- Dry fully in shade so that moisture is entirely removed.

WARNING!

- Generally rinse both parts separately under a cold running tap until the water runs clear.
- Do not use detergent, a washing machine or dishwasher.

NOTICE

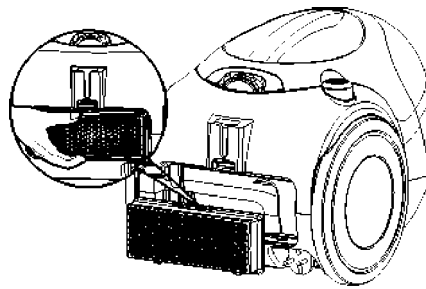
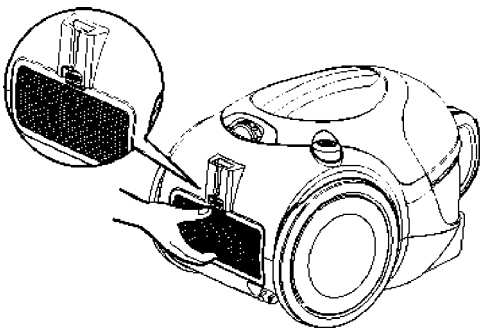
1. If the parts are damaged, do not use them.
2. In these cases, contact LG Electronic Service Agent. Wash filters at least once a month.
3. Do not operate the Vacuum Cleaner without setting the separator. If the separator is not set into the Vacuum cleaner body, the top cover cannot be closed.
4. Please set the separator into the body as instructed (please pay attention to the lever position).



How to use

Cleaning exhaust filter

1 1



2

- The exhaust filter is a reusable HERA filter.
- To clean the exhaust filter, remove the exhaust filter cover on the body release hook.
- Separate the exhaust filter by pushing the lever.
- Dust of the exhaust filter.
- Insert the exhaust filter into the grooves of the motor housing and push the exhaust filter.
- Insert the exhaust filter cover as same as exhaust filter.
- The exhaust filter should be cleaned at least once half a year.

- Cara Topao Bnw
- (1)
- 1 BHxi*Horo 1
- cysrtuii ere api
- 1 , cysrtuiiH 1 >1 1 1 1
-) 1
- 1 1
- 1 | 1 1
- cysrtuiiH 1 1 1 idprialHis. 1

Awar ningi

- De not wash (ha »ithausi Hillar whh walar
- !
- +H*
- !
- hvm
- 1
- * ftwccTw «ytrtuIH cvfcWH ».

NOTICE

ri . a"? difmyud, do use Vierr. inihscases, contact Uj IDectwiicaService Agent. Wa?i liter? SI least { a merfi.

LQ 1 1 & ^>1 -) 0 1. » 1 . /1 ritaf 1 LC Elemohks « 1 < » lliip « ^

What to do if your vacuum cleaner does not work?

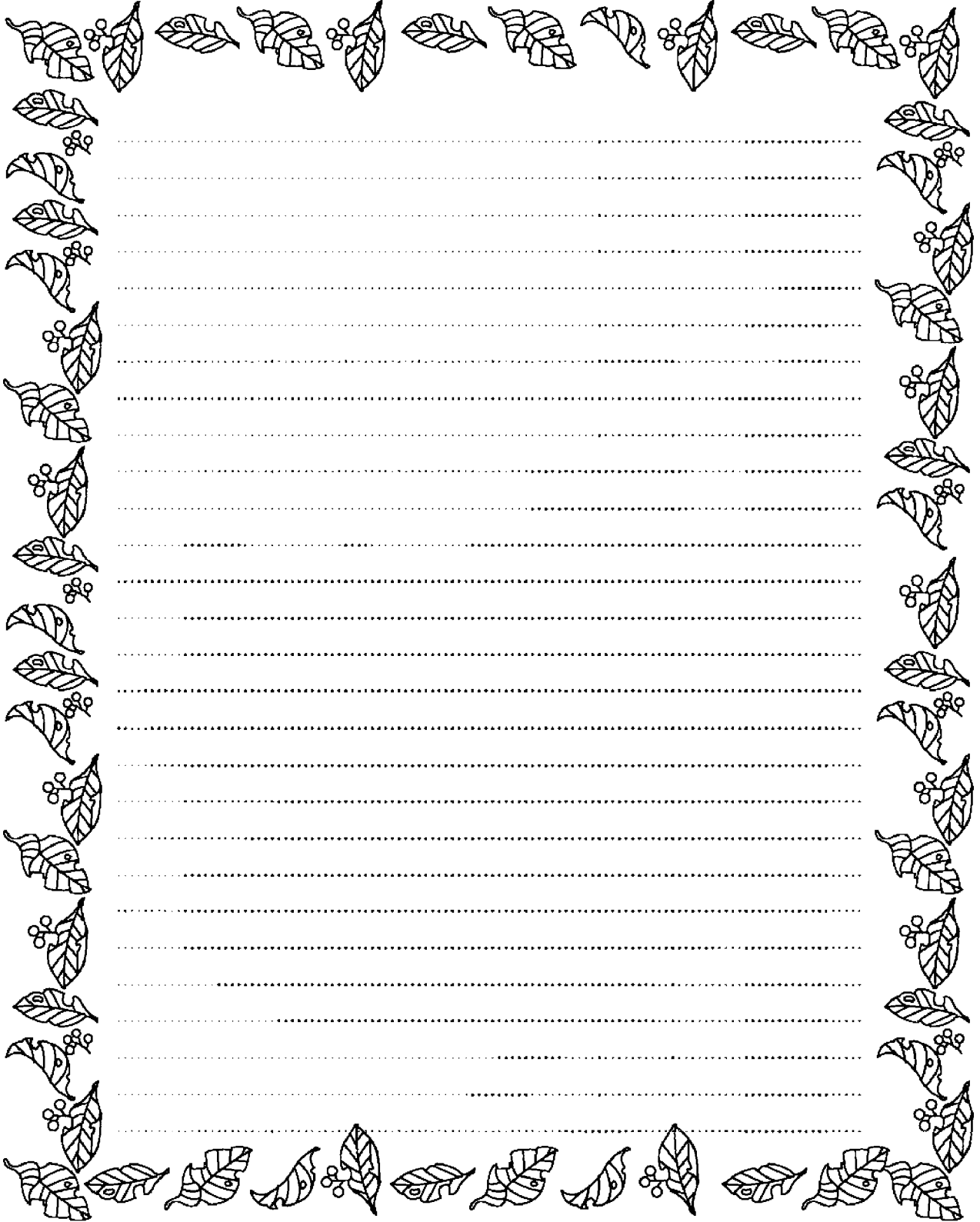
Check that the vacuum cleaner is plugged in correctly and that the electrical socket is working.

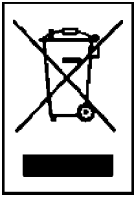
What to do when suction performance decreases?

- Turn off the vacuum cleaner and unplug it.
- Check the telescopic pipe, flexible hose and cleaning tool for blockages or obstructions.
- Check that the dust tank is not full. Empty if necessary.
- Check that the exhaust filter is not clogged. Clean the exhaust filter if necessary.
- Check that the air filter is not clogged. Clean the air filter if necessary.

NOTE

1





Disposal of your old appliance

1. When this crossed-out wheeled bin symbol is attached to a product it means the product is covered by the European Directive 2002/96/EC.
2. All electrical and electronic products should be disposed of separately from the municipal waste stream via designated collection facilities appointed by the government or the local authorities,
3. The correct disposal of your old appliance will help prevent potential negative consequences for the environment and human health.
4. For more detailed information about disposal of your old appliance, please contact your city office, waste disposal service or the shop where you purchased the product.



- 1.
- 2.
- 3.
- 4.



1. "European Directive 2002/96/EC".
2. Bci
- 3.
- 4.



1. 2002/96/
2. xepmici 1
3. 6 ! 1 1 1
4. 1 61 1 esihioAihi !.

The equipment complies with requirements of the Technical Regulation, in terms of restrictions for the use of certain dangerous substances in electrical and electronic equipment.

