



Service Manual

Washing machine

Frontloader

AWM 243

Model Version		Page
	AWM 243	
	8570 243 42001	
	Technical data	2 - 3
	Spare part list	4 - 5
	Exploded view	6 - 7
	Wiring diagram	8
	Circuit diagram	9
	Program diagram	10
	Family	1A

This documentation is only intended for qualified technicians who are aware of the respective safety regulations.

Date: 23.07.1999

Document-No.: 4812 712 14543

Subject to modification

Technical data**Dimensions**

Height	85	cm
Width	59.5	cm
Depth	51	cm

Weight

Without packing	72	kg
-----------------	----	----

Main connection

Voltage	230	V
Frequency	50	Hz
Power consumption	2.3	kW
Fuse rating	10	A

Drum

Volume	42	l
Wash spin	54	rpm
Speed spinning max.	500	rpm

Capacity of dry laundry

Cotton/ coloured laundry	4.5	kg
Cotton rapid	2.5	kg
Easy care	2	kg
Delicate	1.5	kg
Wool	1	kg

Pressostat**Quantity of water washing**

Cotton/ coloured laundry	6	l
Easy care	6	l
Delicate/ Wool	16.5	l
Overflow	30	l

Quantity of water rinse

Cotton/ coloured laundry	16	l
Easy care	16	l
Delicate/ Wool	16	l
Overflow	30	l

Nominal current**Contacts:**

11 - 12	4 (4)	A
11 - 14	16 (4)	A
11 - 16	1 (1)	A

Contactsystem:

11-12-14	jump contacts
11 - 16	slow action contacts

Door lock

Lock time	3" - 6"	(20°C)
Unlock time	60" - 90"	
Nominal voltage	230	V
Nominal current contact	4 - 5	16 (4) A

Heating element

Kind of heating	Tubular heating element withfuses	
Nominal voltage	230	V
Nominal power	2050	W
Heat conductor resistance	24.1	Ω

Inlet valve

Water temperature	60	°C
Rated flow < 1 bar	8	l/min
Pressure range	0.5 - 10	bar
Nominal voltage	220 - 240	V
Frequency	50	Hz
Starting voltage < 6 bar	160	V
6-10 bar	170	V
Nominal current	35	mA
Nominal power	6	VA
Nominal resistor(20°C)	4060	Ω

Drain pump (synchronous)

Nominal voltage	230	V
Nominal current	0.3	A
Nominal consumption	34	W
Frequency	50	Hz
Resistor (coil)	155 ± 7%	Ω
Motor protection	no	
Capacity (1.25m height)	14 ± 2	l/min

Technical data

Program timer

Type	Electromechanical timer withtime system		
Fab.	EC 4522 (Timer 1a)		
Nominal voltage	230	V	
Frequency	50	Hz	
Total positions	60		

Cotton/coloured laundry

Pre wash	pos.	01 - 05
Main wash	pos.	06 - 19
Rinse	pos.	20 - 32
Spin	pos.	33 - 36
Stop	pos.	37

Easy care

Pre wash	pos.	01 - 05
Main wash	pos.	06 - 19
Rinse	pos.	20 - 32
Spin	pos.	33 - 36
Stop	pos.	37

Delicate

Pre wash	pos.	-
Main wash	pos.	38 - 46
Rinse	pos.	47 - 55
Spin	pos.	56 - 59
Stop	pos.	60

Wool

Pre wash	pos.	-
Main wash	pos.	40 - 46
Rinse	pos.	47 - 55
Spin	pos.	56 - 59
Stop	pos.	60

Output

motor		
- reversing	A2-D12/C12	230 V
- spin	A2-D11	230 V
pump	A4-B2	230 V
doorlock	A8-B12	230 V
pressostat	A4-B3	230 V
- empty	A4-B4	230 V
- full	A4-C3	230 V
valve	B2-B8	>170 V

Motor

Type	2/16 - 158/ Wh	
	i = 1 : 6.5	

Resistance contacts:

1 - 2	80	± 7% Ω
1 - 3	41	± 7% Ω
1 - 4	80	± 7% Ω
1 - 5	17.5	± 7% Ω
2 - 4	94	± 7% Ω

Radio interference supression

Type	KPB 7325	
Nominal voltage	230	V
Nominal capacity	100nFX1+2x22nFY2	
Nominal resistance	1	MΩ

Motor capacitor

Capacity	16	μ F
Nominal voltage	450	V

Variable thermostat

Nominal voltage	230	V
Nominal current	16 (4)	A
Temperature range	28 - 80	°C

Push botton switch

Start stop	SM
Half load	SHL
Rinse stop	SRS

Spare part list

Model AWM 243
Service No. 857024342001
Version 857024342001

Pos. No.	12NC Code	Description
001 0	4819 440 19716	Cabinet
003 0	4812 464 48099	Traverse
011 0	4819 462 48472	Foot
021 0	4819 440 19715	Front
021 1	4812 440 19343	Flap
024 0	4819 440 19892	Panel, rear
024 1	4819 418 79837	Box hose
025 0	4812 440 19346	Holder Control Device
030 0	4812 440 19531	Cover plate
040 0	4812 417 18787	Hinge
053 0	4819 440 19791	Plinth
061 0	4812 466 88458	Counter weight upper
061 1	4812 466 88459	Counter weight front
080 0	4812 529 18038	Shock absorber 800-1000
084 0	4812 466 58001	Silent bloc
086 2	4812 401 18412	Stopper
110 0	4812 498 18139	Handle,door white
130 0	4812 417 28046	Lock Door
130 1	4812 417 28045	Pin Door Lock
131 0	4812 417 28047	Plate Door lock
131 1	4812 417 28048	Plate Doorlock Lower
141 0	4812 450 68219	Door glass
143 0	4812 440 19342	Glassdoor frame
144 0	4812 459 28043	Frame,door glas
144 1	4812 498 18137	Knob Door safety
144 2	4812 492 58023	Spring Door Safety
144 3	4812 290 68153	Holder,adjust. Door Safety
190 0	4812 460 68527	Door bellow
190 1	4812 492 18017	Strap
190 2	4819 530 58059	Ring
200 1	4819 418 18378	Tub front
200 2	4819 418 18381	Tub non removable 400/500
200 4	4812 290 88054	Clamp for tub WH
220 0	4819 418 18329	Drum
223 0	4819 515 28267	Agitator
271 0	4812 358 18056	V-ribbed belt WH 1250 J5
272 0	4819 528 88112	Pulley
292 0	4812 530 58101	Gasket Tub
301 0	4819 453 19794	Control panel
303 0	4819 498 78177	Handle
331 0	4819 412 58532	Knob,timer
331 1	4812 413 18198	Adapter Button
332 0	4812 410 28562	Push button
335 0	4819 412 58534	Knob Thermostat
354 1	4819 134 48501	Pilot lamp
401 0	4819 361 58182	Motor
420 0	4819 121 18267	Capacitor
421 0	4819 121 18271	Interf.filter
430 0	4812 360 18383	Pump
451 0	4819 259 28932	Heating element
490 0	4819 321 18234	Cable,mains
490 1	4812 321 28367	Strain relief
504 0	4819 282 18743	Timer
554 0	4819 282 48313	Thermostat
571 0	4812 271 28375	Valve,magnet Single

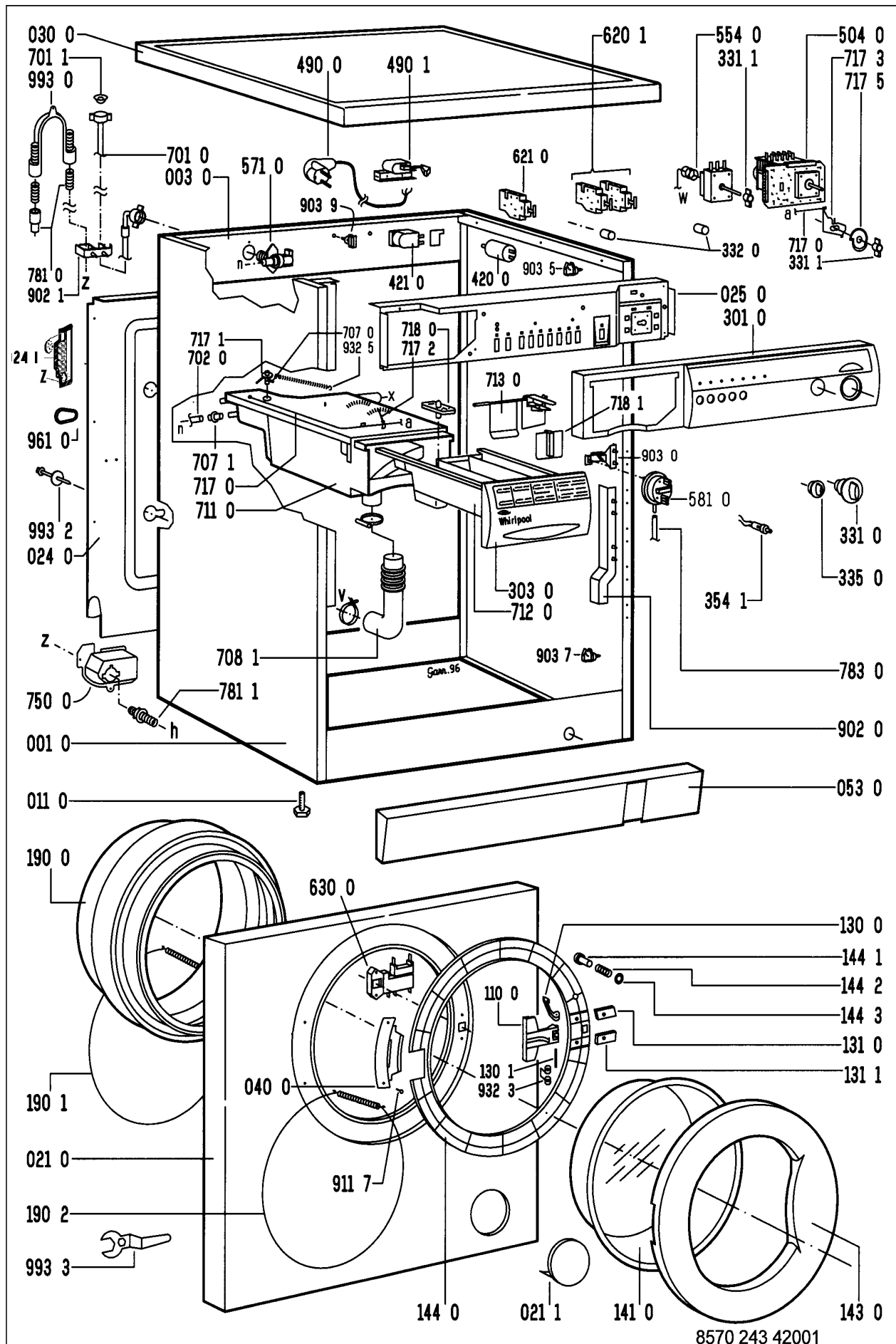
Pos. No.	12NC Code	Description
581 0	4812 271 28381	Pressostat EATON
620 1	4819 410 29005	Switch Options N.C.
621 0	4819 410 29004	Switch ON/OFF
630 0	4812 280 58019	Door lock
701 0	4819 530 28848	Hose, inlet
701 1	4819 466 69704	Gasket and filter
702 0	4819 530 29019	Hose intern
707 0	4812 526 48031	Nozzle Distribution
707 1	4812 526 48028	Nozzle
708 1	4812 530 48143	Bend
711 0	4812 418 88026	Dispenser WH-4CH
712 0	4812 418 78047	Drawer
713 0	4812 418 88028	Flap Detergent Cont.
717 0	4819 321 28092	Bowden cable
717 1	4812 321 38013	Lever , Nozzle
717 2	4812 321 38012	Holder,adjust.
717 3	4812 278 88007	Slide
717 5	4819 528 38444	Cam
718 0	4812 526 48032	Siphon
718 1	4812 418 88024	Accessory
750 0	4819 526 48474	Container
753 1	4819 418 68234	Chamber,air
754 0	4812 530 28826	Drainhose
754 1	4812 530 28832	Lock eco
754 2	4812 530 28829	Flange eco
760 0	4812 480 58075	Filter Set Pump
760 1	4812 418 68138	Gasket Sieve / Rough
781 0	4819 530 29032	Hose,draining
781 1	4819 530 28977	Pipe,exhaust
783 0	4812 530 28827	Hose Pressostat
787 0	4812 530 28813	Hose
794 5	4812 530 58095	Gasket Air trap
901 0	4819 401 18868	Clamp,hose
901 2	4819 401 18872	Clamp,hose
901 3	4812 401 18414	Clamp,hose
902 0	4812 290 88049	Bracket
902 1	4812 255 18204	Holder Hose outlet
903 0	4812 255 18205	Holder Pressostat
903 5	4812 290 88048	Cable clamp
903 7	4819 401 18823	Clamp
903 9	4812 290 88046	Cable clamp
910 1	4812 505 18368	Nut M10
911 7	4812 903 08014	Screw M5x12
923 0	4812 532 18024	Washer
931 0	4819 492 38139	Spring Suspension
932 3	4812 492 58022	Spring Door Lock
932 5	4812 492 38359	Spring , Nozzle
941 0	4812 520 28002	Bearing,ball 6203 2Z C3
941 1	4819 520 18034	Bearing 6202 2Z
952 0	4819 466 69882	Gasket thermostat
953 0	4819 532 78223	Ring
961 0	4812 321 48004	Cover
990 0	4819 310 39227	Mounting kit Weight top
990 1	4819 310 39228	Mounting kit Weight bottom
993 0	4812 530 48017	Bow

Spare part list

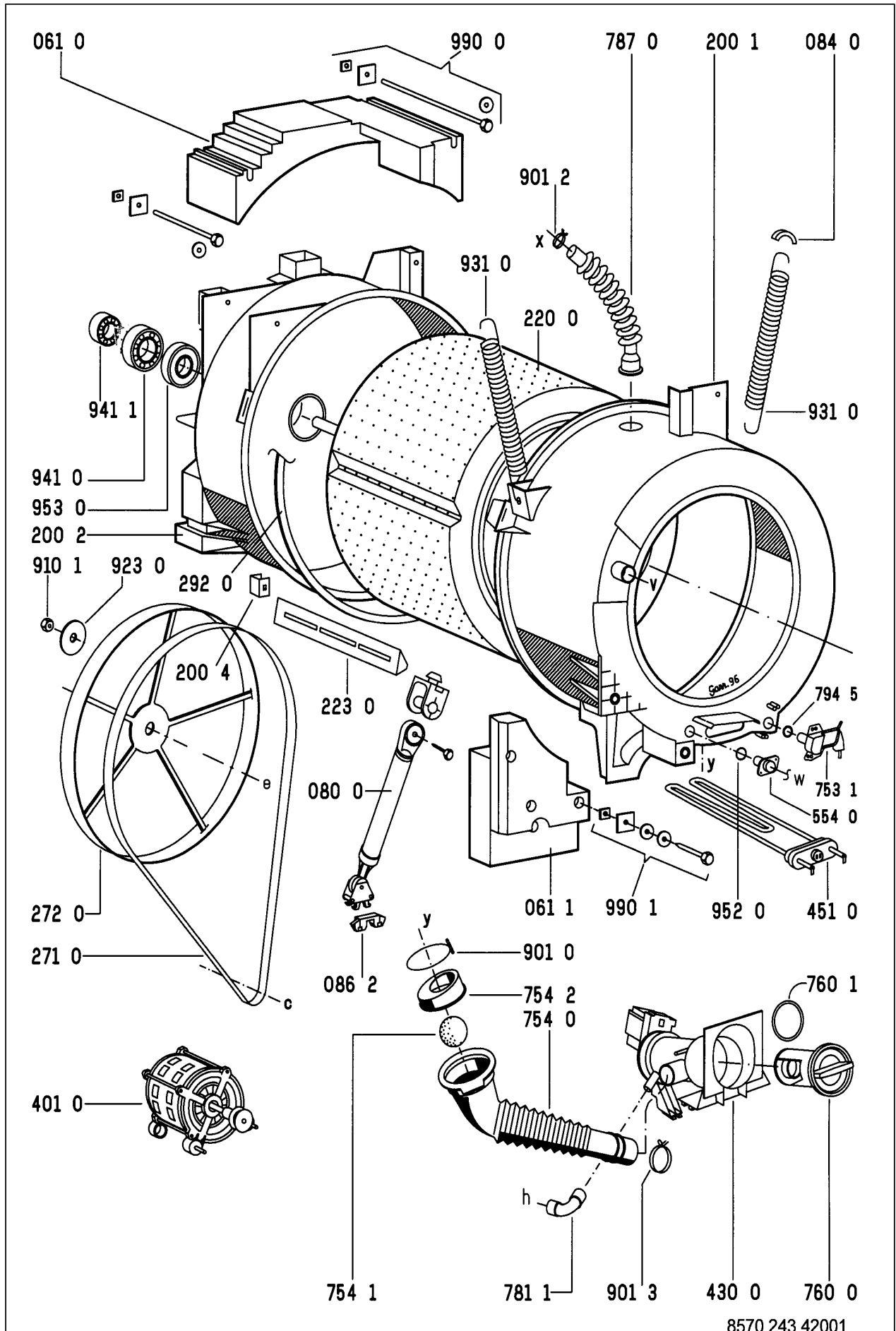
Model	AWM 243
Service No.	857024342001
Version	857024342001

Pos. No.	12NC Code	Description
993 2	4812 268 18015	Lever,security
993 3	4812 395 58004	Tool

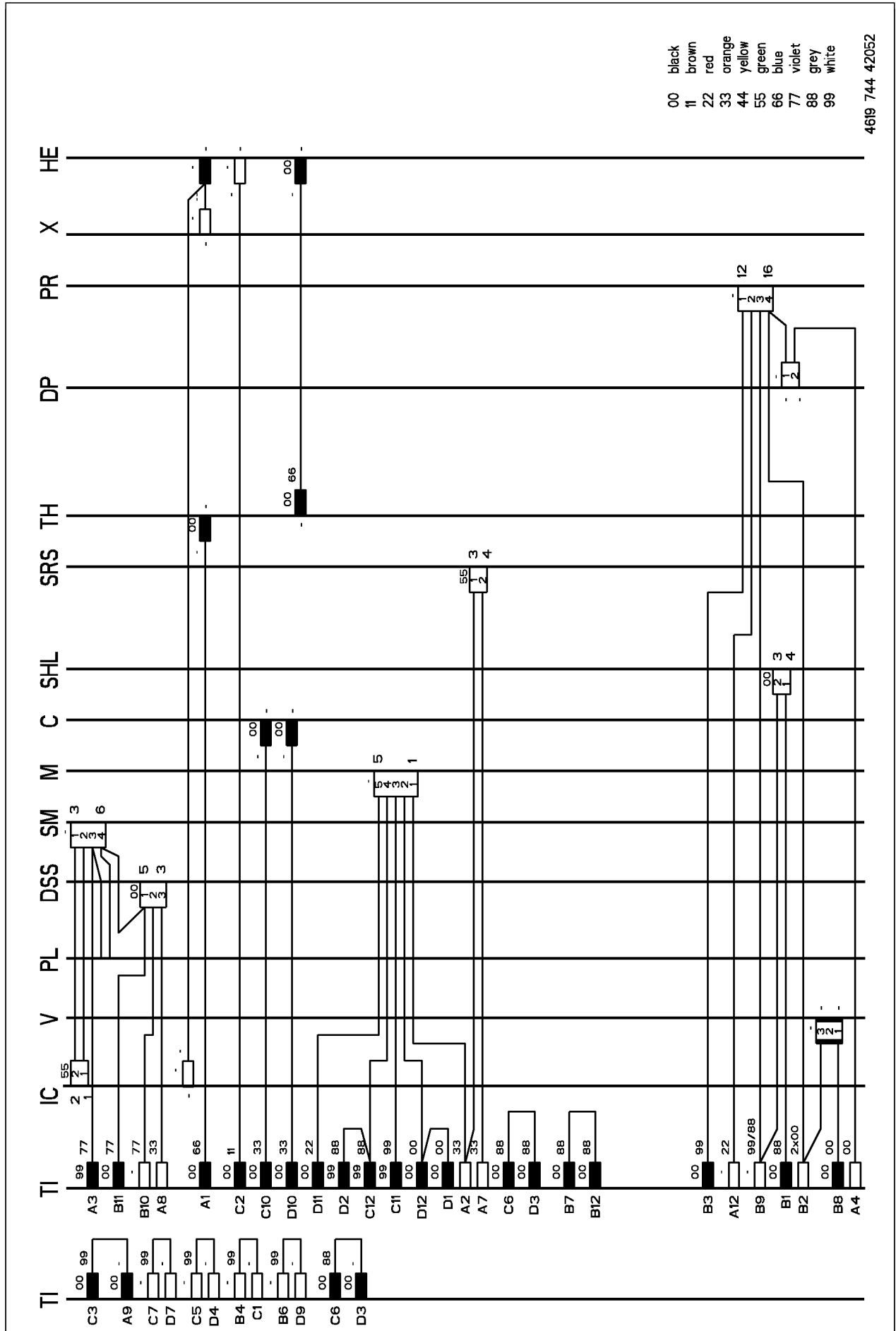
Exploded view



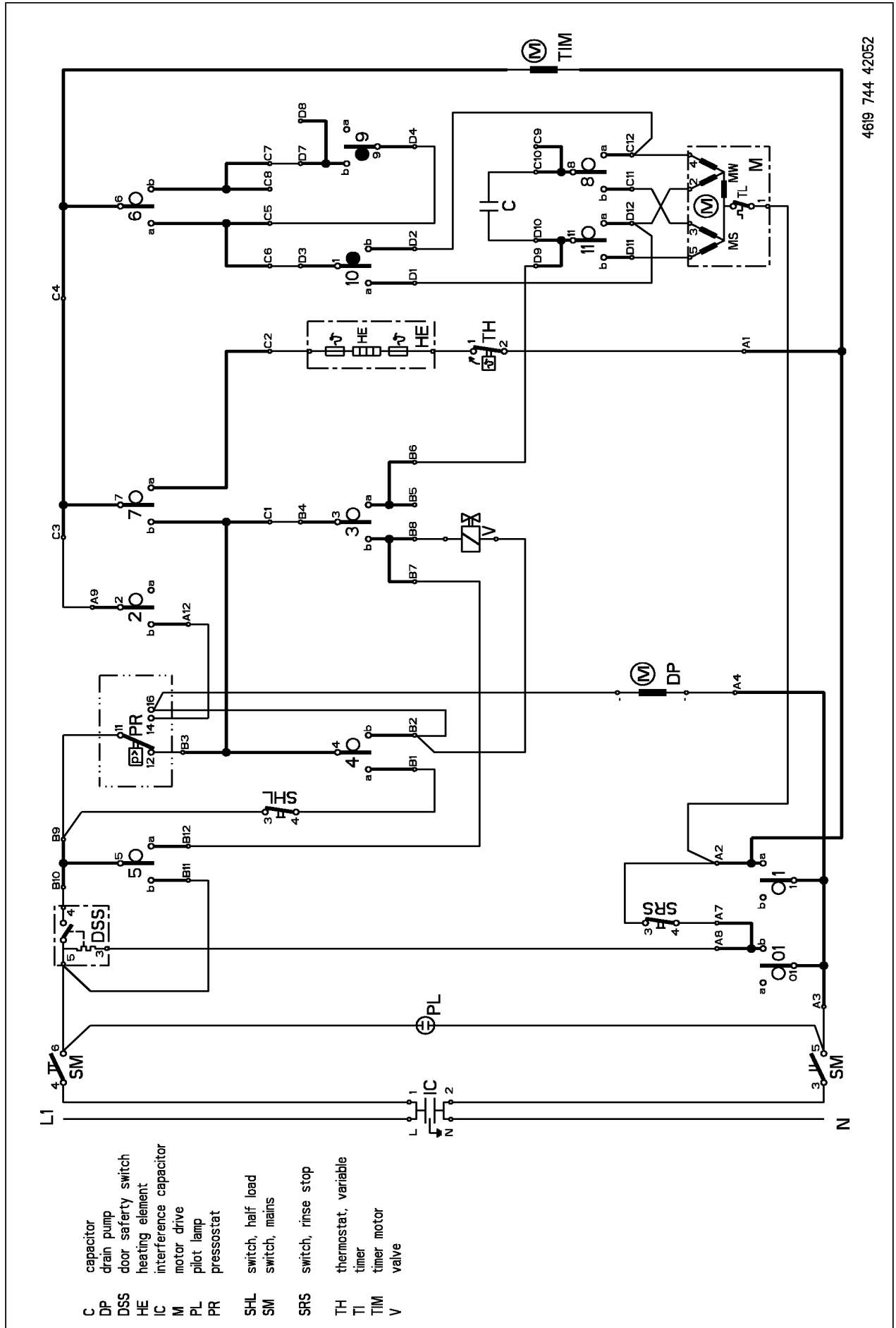
Exploded view



Wiring diagram



Circuit diagram



4619 744 42052

Program diagram

4619 744 60582

With variable temperature

- 1 Cotton with prewash (Cold - 40 - 60 - 95°C)
- 2 Cotton without prewash (Cold-40-60-95°C)
- 3 Easy Care (Cold - 40 - 60°C)
- 4 Cotton (Cold - 40°C) - SHORT
- A Rinse + Spin
- B Spin
- 5 Delicate 40°C
- 6 Wool 30°C
- C Rinse + Gentle Spin
- D Gentle Spin
- E Draining

Whirlpool Program flow Timer 1a (EC 4522/0) 240V - 50Hz.

