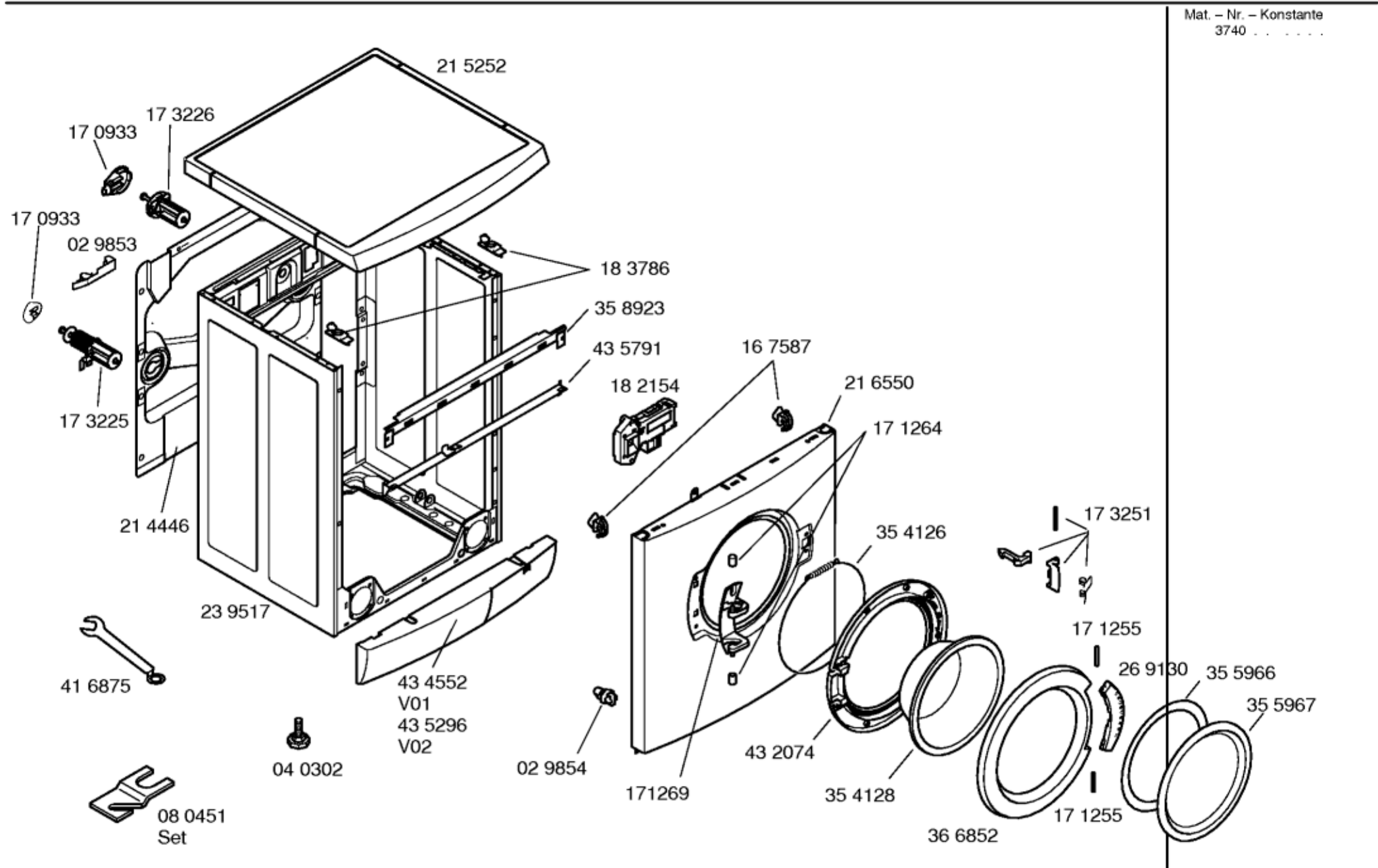


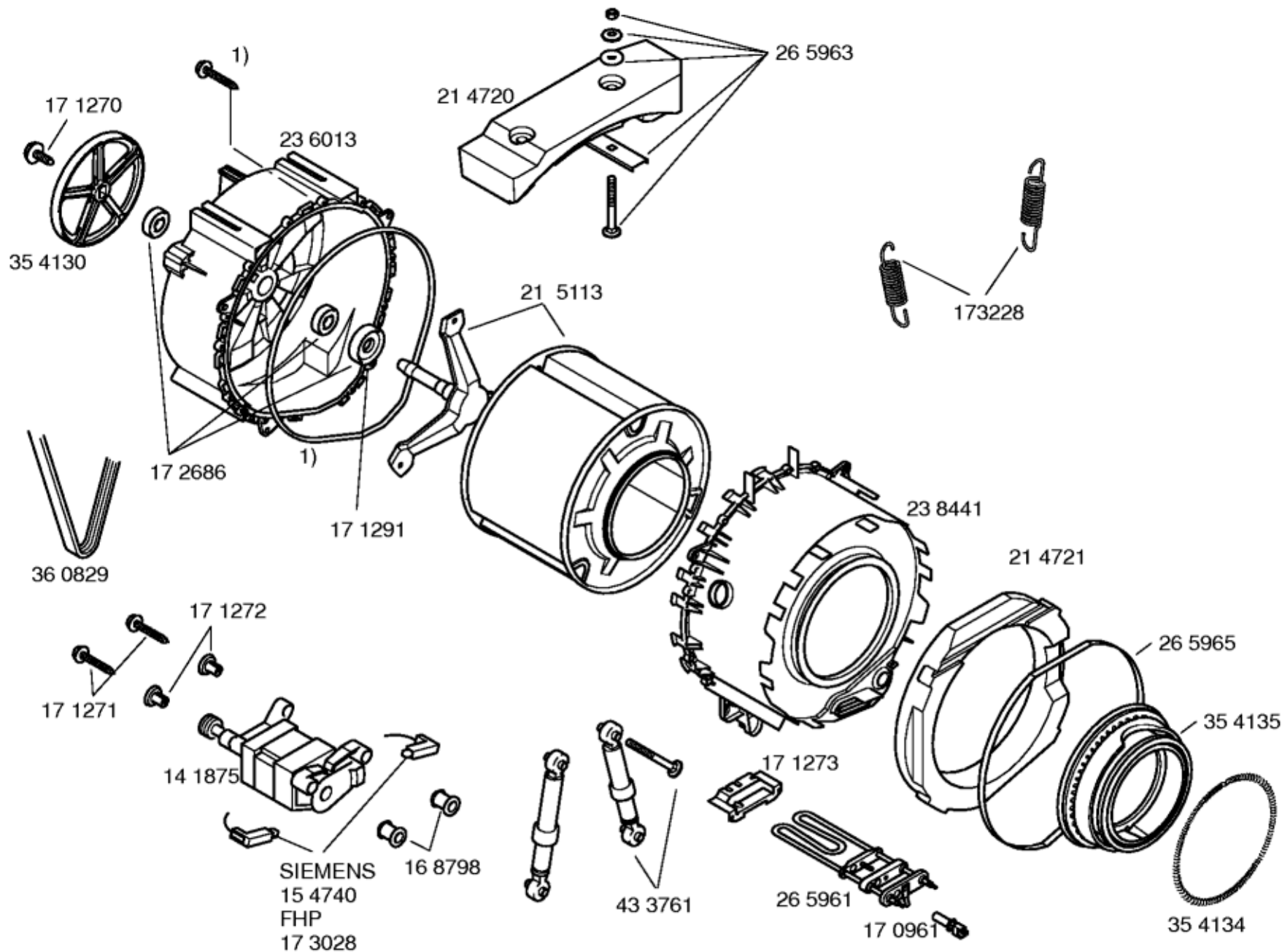
Mat. – Nr. – Konstante
 3740
 Gebrauchs-/
 Aufstelanweisung
 58 7680
 (de)

Programmtabelle
 58 1579
 (de)

1) 36 7176
 (de)

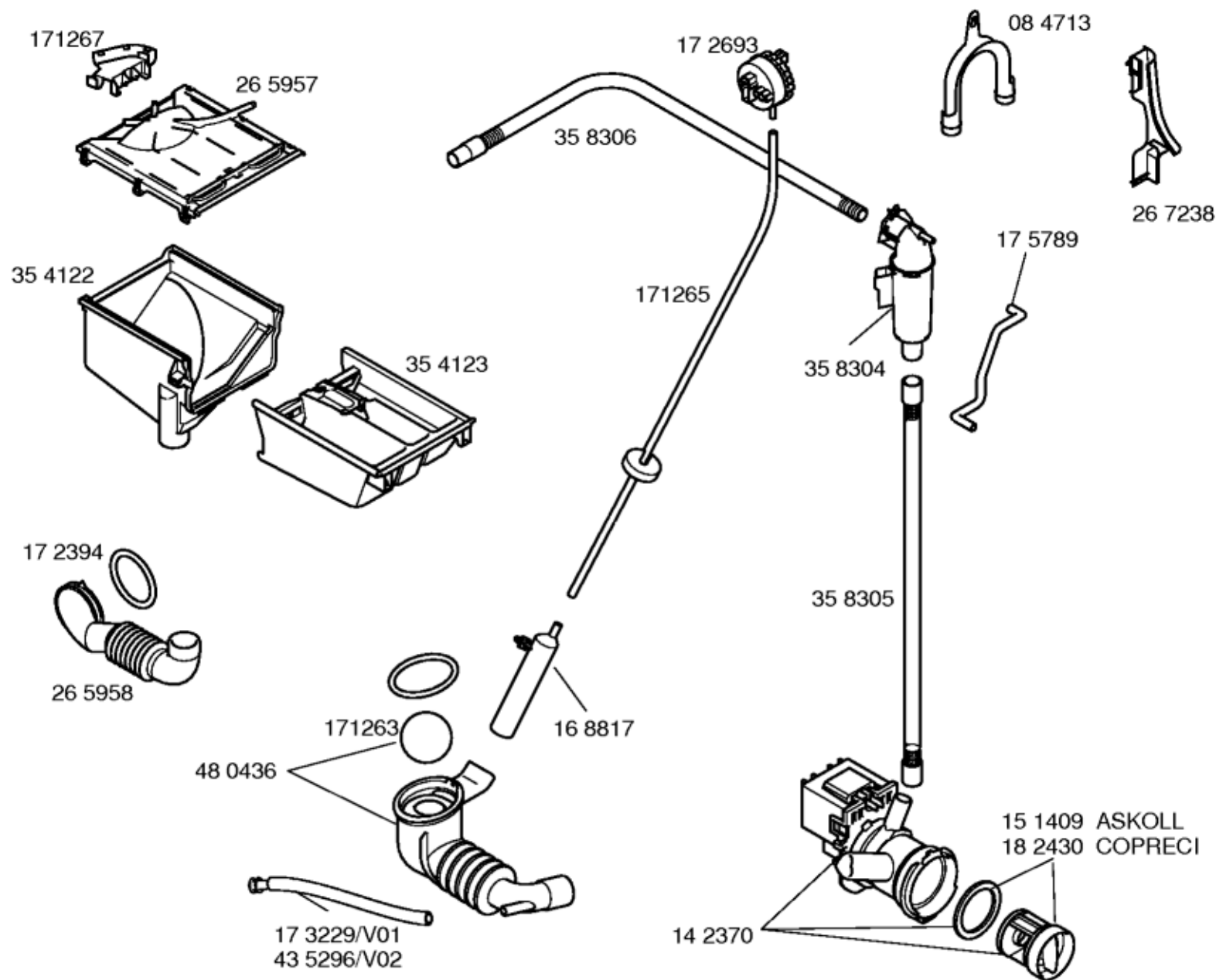
Zubehör:
 Verbindungssatz für
 Waschtrockensäule
 WTZ1120
 Verbindungssatz für
 Waschtrockensäule mit
 Auszugsplatte
 WTZ1180
 Unterbauabdeckung
 WMZ2340
 Bodenbefestigung
 WMZ2200
 Verlängerung für
 Aqua-Stop
 Verlängerung 2,5m
 WMZ2380





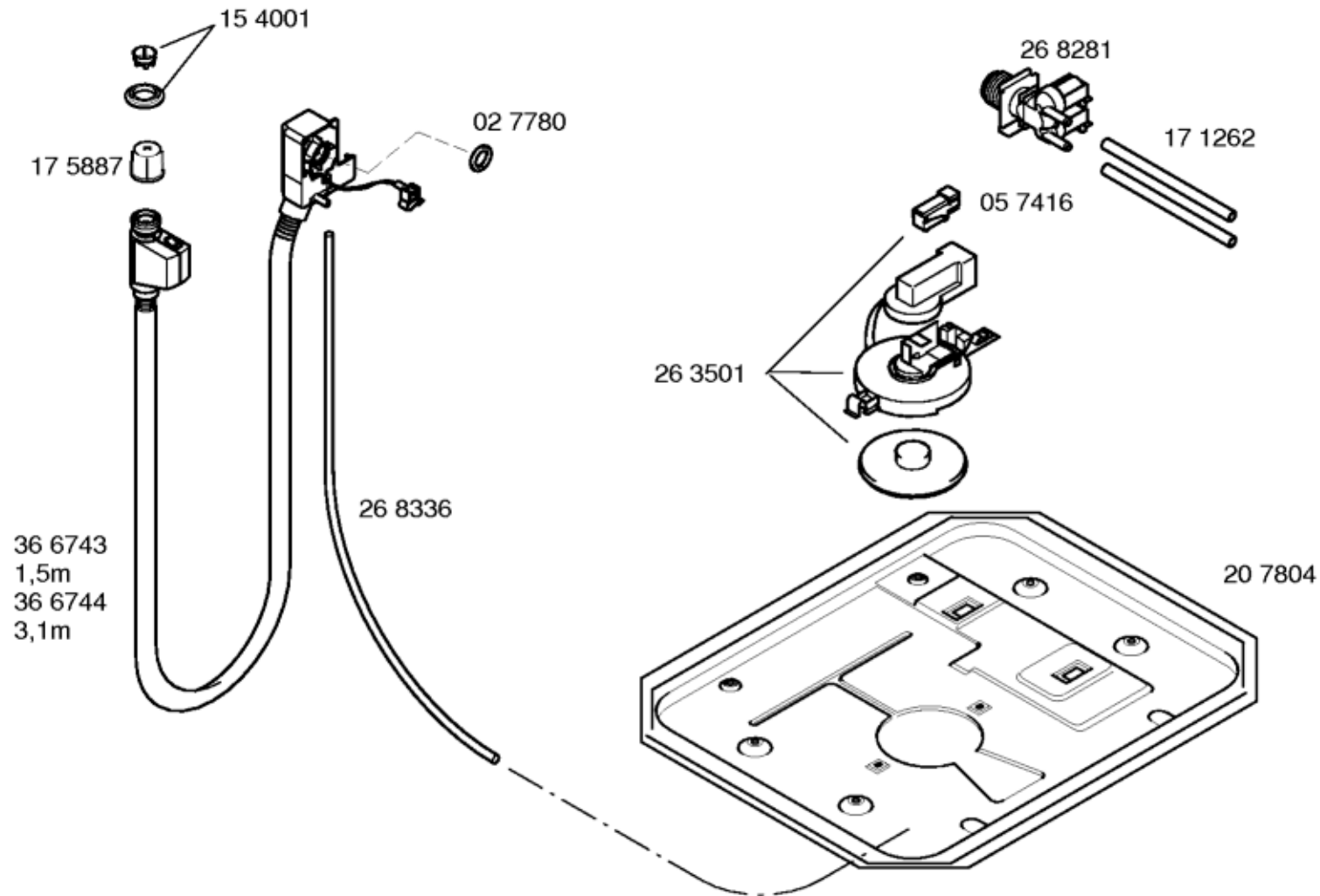
Mat. – Nr. – Konstante
 3740

1) 26 5964



Mat. – Nr. – Konstante
 3740

Mat. – Nr. – Konstante
3740



| Position ID | Spare part no. | Replacement | Description |
|--------------------|-----------------------|--------------------|--------------------------------|
| 0104 | 00266722 | 00481580 | Power cord |
| 0106 | 00181928 | 00623842 | Capacitor-interference suppre. |
| 0108 | 00172694 | | Cable harness |
| 0108 | 00172695 | 00423701 | Cable harness |
| 0108 | 00172696 | 00423704 | Cable harness |
| 0110 | 00432218 | | Control module |
| 0114 | 00172697 | | Coupling |
| 0116 | 00172699 | | Knob-programme |
| 0118 | 00172698 | | Coupling |
| 0120 | 00172700 | | Knob-RPM |
| 0126 | 00182429 | | Nut |
| 0200 | 00173226 | | Transit bolt |
| 0202 | 00173225 | | Transit bolt |
| 0204 | 00170933 | | Cover |
| 0205 | 00170933 | | Cover |
| 0206 | 00029853 | | Holder |
| 0208 | 00214446 | 00474870 | Case-rear part |
| 0210 | 00239517 | 00247508 | Housing |
| 0212 | 00040302 | | Foot |
| 0214 | 00215252 | | Worktop |
| 0216 | 00183786 | | Holder |
| 0218 | 00358923 | | Rail |
| 0219 | 00435791 | | Rail |
| 0220 | 00434552 | 00796389 | Panel-base |
| 0224 | 00182154 | | Electric lock |
| 0226 | 00167587 | 00067083 | Holder |
| 0228 | 00029854 | 00606923 | Holder |

| | | | |
|------|----------|----------|--------------------------|
| 0230 | 00216550 | 00235567 | Front panel |
| 0232 | 00171264 | | Bushing |
| 0234 | 00171269 | | Hinge-window |
| 0236 | 00354126 | 00439671 | fastening ring |
| 0238 | 00432074 | | Frame-window |
| 0240 | 00354128 | 11020392 | Window |
| 0242 | 00366852 | | Frame-window |
| 0244 | 00269130 | 00490903 | Handle |
| 0246 | 00171255 | | Axis |
| 0247 | 00173251 | 00634207 | Latch |
| 0248 | 00080451 | 00493529 | Floor Securing Component |
| 0250 | 00355966 | 00664546 | Ring |
| 0252 | 00355967 | | Cover |
| 0256 | 00416875 | | Auxiliary tool |
| 0302 | 00173228 | 00642529 | Spring-tank |
| 0304 | 00265963 | | Fixing kit |
| 0306 | 00214720 | | Weight |
| 0308 | 00171270 | | Screw |
| 0310 | 00354130 | 11002942 | Pulley |
| 0312 | 00354131 | 00678914 | Belt-drive |
| 0314 | 00236013 | | Tub |
| 0315 | 00172686 | | Bearing set |
| 0316 | 00265964 | | Sealing |
| 0317 | 00171291 | 00613082 | Shaft seal |
| 0322 | 00215113 | 00773699 | Drum |
| 0324 | 00238441 | 00715100 | Tub |
| 0326 | 00214721 | 00773470 | Weight |
| 0328 | 00265965 | | Band |
| 0330 | 00354135 | | Boot gasket |

| | | | |
|------|----------|----------|---------------------------|
| 0332 | 00354134 | | fastening ring |
| 0334 | 00171273 | | Holder |
| 0336 | 00265961 | | Heating element |
| 0338 | 00170961 | | Sensor-NTC |
| 0340 | 00433761 | 00448032 | Shock absorber |
| 0342 | 00171271 | | Screw |
| 0344 | 00171272 | | Fixture |
| 0346 | 00168798 | | Holder |
| 0348 | 00141875 | 00144797 | Motor |
| 0350 | 00154740 | | Carbon-brush |
| 0350 | 00173028 | | Carbon-brush |
| 0400 | 00171267 | | Holder |
| 0401 | 00265957 | | Dispenser tray-upper part |
| 0402 | 00354122 | | Dispenser tray-lower part |
| 0404 | 00354123 | | Dispenser tray |
| 0406 | 00265958 | | Hose-fill |
| 0408 | 00480436 | | Eco-hose-sump |
| 0410 | 00173229 | 00608010 | Drain hose |
| 0412 | 00171263 | | Ball-sump |
| 0416 | 00168817 | 00424981 | Pressure chamber |
| 0418 | 00171265 | 00491919 | Hose-pressure chamber |
| 0420 | 00172693 | 00600925 | Regulator-water level |
| 0422 | 00267238 | | Holder |
| 0423 | 00358306 | | Outlet hose |
| 0424 | 00142370 | 00145787 | Pump-drain |
| 0440 | 00182430 | | Filter-fluff |
| 0441 | 00151409 | | Filter-fluff |
| 0442 | 00084713 | 00655300 | Holder |
| 0443 | 00172395 | 00603523 | fastening ring |

| | | | |
|------|----------|----------|---------------------|
| 0444 | 00172394 | 00421488 | fastening ring |
| 0446 | 00175789 | | Hose-vent |
| 0448 | 00358304 | | Container return |
| 0448 | 00358305 | | Hose |
| 0500 | 00027780 | | Filter-water inlet |
| 0502 | 00366743 | 00704767 | Aquastop |
| 0502 | 00366744 | 11000965 | Aquastop |
| 0504 | 00268336 | | Hose-overflow |
| 0506 | 00057416 | | Switch |
| 0508 | 00263501 | 00702594 | Float |
| 0512 | 00207804 | | Case-bottom |
| 0514 | 00268281 | 00428211 | Valve-magnet |
| 0516 | 00171262 | | Hose-valve/soap box |
| 0518 | 00154001 | | Filter-water inlet |
| 0520 | 00175887 | | Filter-large |