

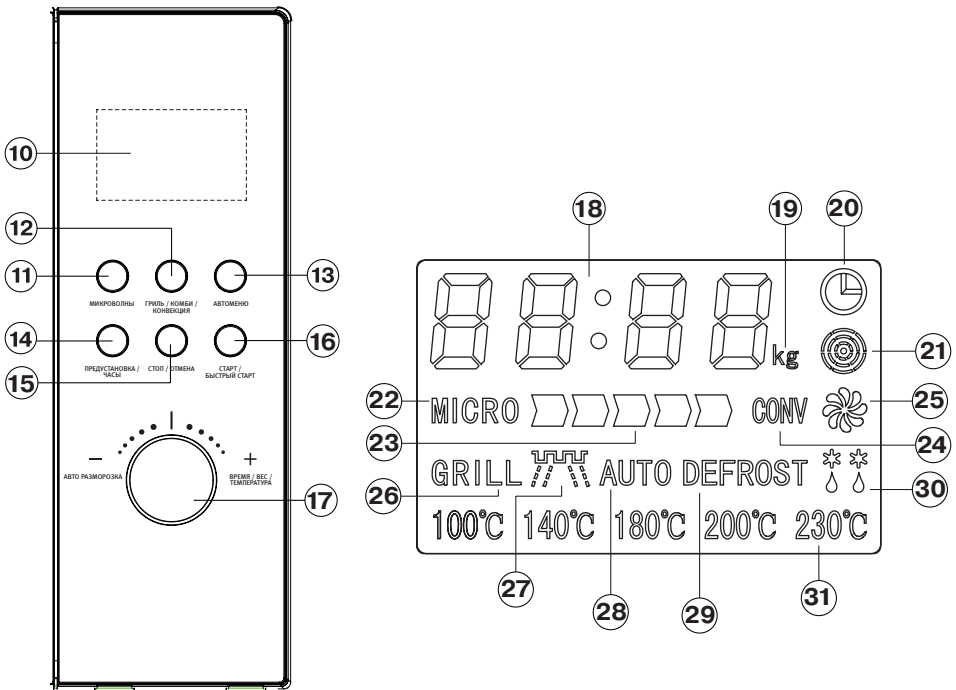
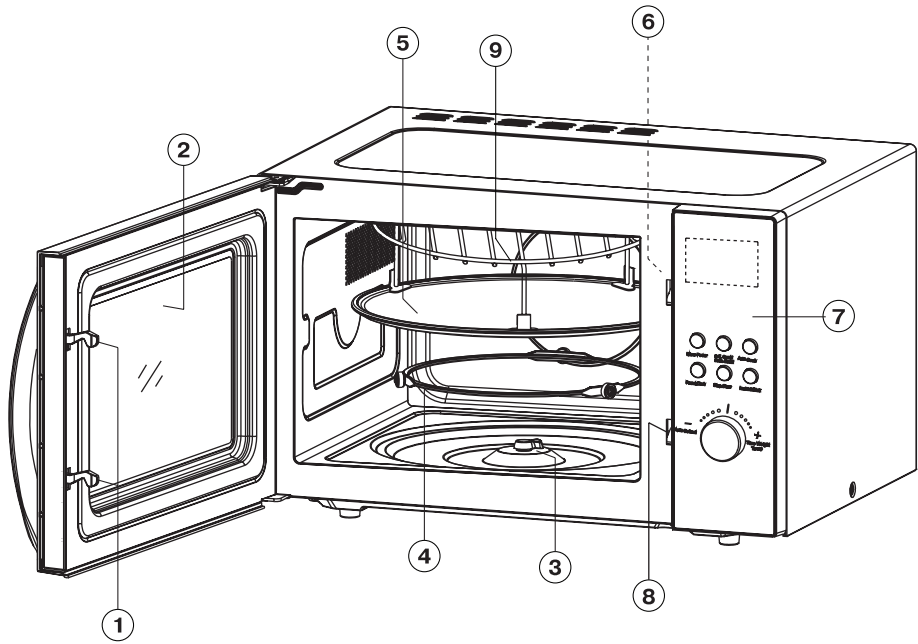
VT-1695 BK

Microwave oven

Печь микроволновая
бытовая

Инструкция по эксплуатации

GB Manual instruction	3
DE Die betriebsanweisung	12
RUS Инструкция по эксплуатации	23
KZ Пайдалану нұсқасы	34
RO/MD Instrucțiune de exploatare	44
UA Інструкція з експлуатації	54
BEL Інструкцыя па эксплуатацыі	64
UZ Foydalanish qoidalari	75



MICROWAVE OVEN

Before using the unit, read this instruction manual carefully.

If you strictly follow the all the instructions given in the manual, the microwave oven will serve you faultlessly for a long time.

Keep this instruction manual in an easily accessible place.

Description

1. Door latches
2. Viewing window
3. Roller support
4. Roller ring
5. Glass rotary bottom plate
6. Microwave output point
7. Control panel
8. Oven door blocking system
9. Grill rack

Control panel

10. Display
11. "Microwaves" button
12. «Grill/Combi/Convection» button
13. «Auto-menu» button
14. «Clock/Preset» button
15. «Stop/Cancel» button
16. «Start/Quick start» button
17. «Auto/Defrost/Time/Weight/Temperature» knob

Display

18. Alpha-numeric symbols / current time indication
19. Selected product weight symbol
20. Current time icon
21. Cooking mode icon
22. Microwave cooking mode symbol
23. Power level icon
24. «Convection» mode symbol
25. «Convection» mode icon
26. «Grill» mode symbol
27. «Grill» mode icon
28. Auto-cooking mode symbol
29. «Defrost» mode symbol
30. «Defrost» mode icon
31. Temperature mode symbols

ATTENTION!

For additional protection it is reasonable to install a residual current device (RCD) with nominal operation current not exceeding 30 mA into the kitchen mains; to install, RCD contact a specialist.

Precautions to BE TAKEN AGAINST THE risk of microwave radiation exposure

- It is prohibited to operate the oven with the door open, as microwave radiation exposure is dangerous.
- Do not make any changes in electric circuits of protective oven door blocking system.
- Do not place any objects between the oven body and its door, thoroughly remove dirt or remaining detergents from the inner side of the door.

- The microwave output point (6) is covered with a mica plate, do not remove it and keep it clean.
- Do not use the oven when it is damaged, it is especially important that the oven door is closed properly.
- Make sure that the unit has no damages of:
 - the door (for instance, when the door is bent),
 - hinges and latches (when they are broken or loose),
 - protective screen on the inner side of the viewing window.
- Adjustments and repair of the microwave oven should be performed only by specialists of authorized service centers.

IMPORTANT SAFETY RULES

ATTENTION! Do not operate the oven if the door or the door hinges are damaged, until the defect is repaired by authorized personnel!

ATTENTION! All maintenance and repair works connected with removal of the microwave radiation protecting lids should be performed by qualified specialists only!

ATTENTION! Do not heat liquids and other products in tightly closed containers to avoid the package explosion!

ATTENTION! Children are allowed to use the unit unattended only if they are given all the necessary and understandable instructions on safe oven operation and information about danger that can be caused by its improper usage!

ATTENTION! If the power cord is damaged, it should be replaced by the authorized service center to avoid danger.

ATTENTION! The microwave oven is not intended for usage by children and physically or mentally disabled persons or persons lacking experience or knowledge, if they are not under supervision of a person, who is responsible for their safety, and if they did not receive all the necessary instructions on the oven operation!

WARNING: Oven outer surfaces are subject to heating during operation.

WARNING: During unit operation the temperature of inner surfaces of the cavity can be high.

ATTENTION! Do not allow children to stay close to the oven unattended, if the oven operates in combi or grill mode!

SAFETY MEASURES

Before using the oven, read this instruction carefully and keep it for further reference.

Use the unit according to its intended purpose only, as it is stated in this user manual. Mishandling the unit can lead to its breakage and cause harm to the user or damage to his/her property.

To avoid burns, electric shock, fire, microwave radiation exposure and personal injury please comply with following recommendations.

ENGLISH

- Before switching the oven on for the first time, make sure that the mains voltage corresponds to the voltage specified on the unit body.
- Use the microwave oven only for the intended purpose, as it is specified in this manual.
- The microwave oven is intended for cooking food and heating of ready meals.
- Do not switch the unit on without food inside.
- Do not place the microwave oven inside kitchen drawers, cupboards and on the shelves, which do not provide proper ventilation.
- Do not immerse the power cord and power plug into water or any other liquids.
- Make sure that the power cord and the power plug do not touch hot surfaces or sharp edges of furniture.
- When unplugging the unit, pull the power plug but not the cord.
- Do not touch the power plug with wet hands as it may lead to electric shock.
- Never use the microwave oven if the power cord or the power plug is damaged, if the oven works improperly or after it was dropped.
- To avoid electric shock do not dismantle and repair the microwave oven by yourself. If you find any damages apply to the authorized service center only.

To avoid fire in the oven cavity observe the following rules:

- When heating food in a plastic or paper package, watch the heating process to avoid package burning.
- Before putting paper or plastic bags in the oven, remove wire twist-ties (clamps) from them.
- If there is burning inside the oven cavity, switch the unit off and unplug it immediately, without opening the door in order to avoid fire spreading.
- Do not use oven cavity for storage of any objects; do not leave paper or food inside it.
- This unit is not intended for activation via an external timer or a separate remote control system.
- Cookware should be preliminarily tested for usage in a microwave oven.
- Cookware can heat up strongly from the cooked products, thus it is necessary to use protective kitchen gloves or potholders.
- Be careful taking cookware out of the oven as strong boiling of liquids may happen after you have finished heating them in the microwave oven.
- The unit is intended only for cooking/heating food and drinks. Drying clothes or heating of various household items may damage the oven and cause burning of the objects inside it and fire.
- Shell eggs and hard-boiled eggs should not be heated in the microwave oven since they can explode due to increase of inner pressure.
- Feeding bottles and baby food jars should be placed in the oven without lids or teats. The contents should be stirred or shaken periodically. Before feeding babies from a bottle or a jar, check the temperature of its contents to avoid scalding.
- Never leave the operating unit unattended.
- For children safety reasons do not leave polyethylene bags, used as a packaging, unattended.
- **Attention!** Do not allow children to play with polyethylene bags or packaging film. **Danger of suffocation!**
- Close supervision is necessary when children or disabled persons are near the operating unit.
- This unit is not intended for usage by children or disabled persons. In exceptional situations the person who is responsible for their safety must give them all the necessary and understandable instructions on safety measures and information about danger, that can be caused by improper usage of the unit.
- Do not block ventilation openings on microwave oven body.

THE UNIT IS INTENDED FOR HOUSEHOLD USAGE ONLY

Instructions on microwave oven grounding

- The unit should be securely grounded. In case of any inner short circuit grounding reduces the risk of electric shock, because the current will pass via the ground wire. A power cord with a grounding wire and a plug with a grounding contact are used in the microwave oven.
- The plug should be connected to the mains socket with a grounding contact.

Warning:

- Usage of the plug with a grounding contact connected to a socket without grounding can lead to the risk of electric shock.
- Consult a qualified electrician, if you need oven grounding instructions or if you are not sure that the microwave oven is securely grounded.
- To prevent tangling of the power cord the microwave oven is equipped with a short power cord.
- If it is necessary to use an extension cord, use only a 3-wire extension cord with a grounding contact on the power cord plug and a grounding contact on the socket.
- Wire section marking of the MWO power cord and of the extension cord should match.
- The power cable of the extension cord should not hang from the edges of the table, where children can pull it and it should be placed in such way that excludes possibility of stepping on it

GENERAL RULES OF COOKING PRODUCTS IN MICROWAVE OVENS

WARNING: Remember to open hermetic or vacuum package of food before cooking or heating it in the microwave oven. Otherwise the pressure that will build up inside the package can burst it.

- Shell eggs and hard-boiled eggs should not be cooked or heated in microwave ovens since they can explode due to increase of inner pressure. Pierce pithy products (such as potatoes, vegeta-

- ble marrows or apples) in several places before cooking.
- Feeding bottles and baby food jars should be placed in the oven without lids or teats. The contents should be stirred or shaken periodically. The contents temperature should be checked before feeding to avoid burns.
- When cooking bacon, do not put it directly on the glass rotary bottom plate, local overheating of the bottom plate can lead to the appearance of cracks in it.
- Use microwave-safe cookware during cooking; put it on the glass bottom plate.
- For even heating of products, put thicker pieces near the edges of the cookware.
- Follow cooking time. Set the shortest cooking time, it can be increased if necessary.
- Do not exceed cooking time, as it can lead to burning of the products.
- Cook the products under a microwave-safe lid. The lid prevents juice or fat splattering and provides even cooking of food.
- To speed up the cooking process turn over easy-cooking products (e.g. hamburgers) once. Large pieces of meat must be turned over at least twice during cooking.
- Stir the food during cooking both from top to bottom and from the center of the dish to the outside.

Microwave-safe materials and cookware

Cookware for frying	Follow the manufacturer's instructions. The bottom of cookware for frying should be 5 mm thicker than the glass rotary bottom plate. Improper use of the cookware for frying may lead to cracks in the cookware and the glass rotary bottom plate.
Dinnerware	You can use only the dinnerware with respective marking. Follow the cookware manufacturer's instructions. Do not use the cookware with cracks or splits.
Glass containers	Use only glass containers made of heat-resistant glass. Check that the cookware doesn't have metal rims. Do not use the containers with cracks or splits.
Glassware	Use only glassware made of heat-resistant glass. Check that the cookware doesn't have metal rims. Do not use the cookware with cracks or splits.
Special bags for cooking in microwave oven	Follow the manufacturer's instructions. Do not close the bags with metal twist-ties. Make several openings in the bag for steam release.
Paper plates and cups	Use paper plates and cups only for short-time cooking/heating. Do not leave the microwave oven unattended when cooking/heating food in such cookware.
Paper towels	During cooking you can cover the food with a paper towel to keep it warm and to avoid fat splashing. Use paper towels only under constant control and only for short-time cooking/heating.
Parchment paper	Use parchment paper to avoid fat splashing or as a wrap.
Plastic	You can use only plastic items with respective marking: „Microwave-safe“. Follow the manufacturer's instructions. Some plastic containers may soften as the result of heating of food in them. Pierce or cut sealed plastic bags as it is shown on the package.
Plastic wrap	You can use only plastic items with respective marking.
Wax paper	Use wax paper to avoid fat splashing and to preserve moisture.

Materials and cookware not suitable for microwave ovens

Aluminium trays and foil	Aluminium trays and foil may cause sparks. Use microwave-safe cookware.
Cardboard cup with metal handle	Cardboard cup with metal handle may cause sparks. Use microwave-safe cookware.
Metal cookware or cookware with metal rim	Microwaves can not go through metal. Metal rim may cause sparks.
Metal twist-ties	Metal twist-ties may cause sparks and package burning during cooking/heating food.
Paper bags	Paper bags may cause burning in the microwave oven.
Soap	Soap may melt and make the oven cavity dirty.
Wood	Wooden cookware may dry out, crack and burn.

ENGLISH

Recommendations on choosing cookware

- Ideal material for microwave-safe cookware should be "transparent" for microwaves, as it allows microwave energy to pass through and heat the food.
- Microwaves can not go through metal; that is why never use metal cookware or plates with metal finishing for cooking in microwave oven.
- Do not place recycled paper objects in microwave oven, as they may contain small metal particles which may cause package burning.
- Round and oval cookware better suits for usage in microwave ovens, than rectangular cookware.
- Do not use cookware with splits and cracks.

TESTING OF COOKWARE BEFORE USING IT IN A MICROWAVE OVEN

- Put the test cookware (for instance, a plate) into the oven cavity; place a glass with cold water on it.
- Switch the microwave oven on at the maximal power and set cooking time for not more than 1 minute.
- Carefully touch the test cookware. If it is hot and the water in the glass is cold, do not use this cookware for cooking in the microwave oven.
- Do not exceed testing time. Maximal testing time is 1 minute.

ASSEMBLING THE MICROWAVE OVEN

After oven storage at low temperature or its transportation in winter conditions it is necessary to keep it unpacked for at least two hours at room temperature before switching on.

- Remove the package and the accessories from the oven cavity.
- Check the microwave oven for damages. Pay special attention to the condition of the oven door. If there is any problem do not set and do not switch the oven on.

Protective covering

Body: if there is a protective film on the unit body, remove it from the surface of the body.

Do not remove the light-gray mica plate inside the cavity in the microwave output point (6), as it serves for magnetron protection.

Installing the glass rotary bottom plate

- Set the roller support (3) in the opening on the oven cavity bottom.
- Set the roller ring (4) on the oven cavity bottom.
- Carefully set the glass rotary bottom plate (5) on the roller ring (4), matching its ledges with the grooves on the support (3).
- Never set the glass rotary bottom plate with its bottom up.
- Do not prevent rotation of the glass rotary bottom plate while oven operation.
- Always use the glass bottom plate (5), roller support (3) and roller ring (4) when cooking.

- Cookware should be always set only on the glass rotary bottom plate (5).
- Glass rotary bottom plate (5) can rotate clockwise or counterclockwise.
- If cracks or splits appear on the glass rotary bottom plate (5), stop using the unit immediately and replace the bottom plate.

OPERATION

Before switching the oven on, make sure that the mains voltage corresponds to the voltage specified on the unit body.

Current time setting

When the microwave oven is connected to the mains, the display (10) will light up, you will hear a sound signal, and the flashing divisional dots «:» will appear on the display. You can set the time in the range from **0:00 to 23:59**.

1. Press the «**Clock/Preset**» button (14), flashing «**0:**» digit will appear on the display and the icon (20) will light up.
2. Set the digital hours value by turning the knob (17).
3. Press the «**Clock/Preset**» button (14), flashing «**:00**» digits will appear on the display.
4. Set the digital minutes value by turning the knob (17).
5. Press the «**Clock/Preset**» button (14) to finish time setting. There will be 1 sound signal, the set time will be shown on the display, the icon (20) will light up and divisional dots «:» will be flashing.

Note:

- If the digital time value is not set after the microwave oven was connected to the mains, the current time will not be shown on the display (10).
- If no actions are taken after pressing the button (14), the indications «0:00» will automatically appear on the display after 10 seconds.

Cooking in the microwave mode

Select the power level of the microwave oven and set the cooking time.

1. Open the oven door, put the products into the oven cavity and close the door.
2. Press the «**Microwaves**» button (11), you will hear a sound signal, the microwave mode symbol (22) will appear on the display and the icon (23) will light up.
3. To select the necessary power level press the «**Microwaves**» button (11). The following power modes will be shown on the display:

Table 1

Number of pressings	Display indication	Power of the oven
1	100P	100%
2	80P	80%
3	60P	60%
4	40P	40%
5	20P	20%

- Turn the knob (17) to set the cooking time. The set cooking time will appear on the display (10).

Note:

- You can set the cooking time in the range «0:10-60:00» with the step, stated in the table.

Table 2

Time interval	Time setting step
0-5 min	10 sec.
5-10 min	30 sec.
10-60 min	1 min

- Press the «Start/Quick start» button (16) to start cooking, the countdown of the remaining time will start on the display (10) and the icon (21) will light up.
- After the end of cooking the microwave oven will be switched off, the message «End» will appear on the display (10) and you'll hear three sound signals.
- Open the oven door after cooking and remove the prepared food from the oven cavity.

Note:

- You can change the cooking time during cooking by turning the knob (17) or by repeatedly pressing the button (16). The setting step is given in the table 2.
- You can open the door to check the readiness of food. If it isn't ready, close the door and press the «Start/Quick start» button (16) to continue cooking.

FAST COOKING MODE

- Open the oven door, put the products into the oven cavity and close the door.
- Press the «Start/Quick start» button (16) to start cooking at full power during 1 minute.

Note: You can change the cooking time during cooking by turning the knob (17) or by repeatedly pressing the button (16), with the step given in the table 2.

- After the end of cooking the microwave oven will be switched off, the message «End» will appear on the display (10) and you'll hear three sound signals.
- Open the oven door after cooking and remove the prepared food from the oven cavity.

COOKING IN «CONVECTION» MODE

- Open the oven door, put the products into the oven cavity and close the door.

Note:

- If necessary, use the grill rack (9) placing it on the glass rotary bottom plate (5).
- Select the convection mode «C» by pressing the «Grill/Combi/Convection» button (12). Convection mode symbol (24) will appear on the display.
 - Turn the knob (17) to set the heating temperature. The symbol of one of the temperature modes (31) will be shown on the display (10).

Note:

- In «Convection» mode the following heating temperature values are available: 100, 140, 180, 200 and 230 oC.
- Press the «Start/Quick start» button (16), the message «Pr-H» will appear on the display.

- Turn the knob (17) to set the cooking time. The set time will appear on the display (10).

Note: When the indication «Pr-H» lights up on the display, you can activate the cooking mode within 15 minutes by pressing the «Start/Quick start» button (16) again.

- Press the «Start/Quick start» button (16) to start cooking, the countdown of the remaining time will start on the display (10), the icon (25) and the temperature mode symbols (31) will light up.
- After the end of cooking the microwave oven will be switched off, the message «End» will appear on the display (10) and you'll hear three sound signals.

COOKING IN «CONVECTION/COMBI» MODE

- Open the oven door, put the products into the oven cavity and close the door.
- Press the «Grill/Combi/Convection» button (12) repeatedly to select one of two combi cooking modes. The selected mode «C-1» or «C-2» and the symbols (22) and (24) will appear on the display.
- Turn the knob (17) to set the heating temperature. The symbol of one of the temperature modes (31) will be shown on display (10).

Combi cooking options

Table 3

Mode	Micro-waves	Convection	Heating temperature, °C
C -1	30%	70%	100, 140, 180
C -2	55%	45%	100, 140, 180

- Press the «Start/Quick start» button (16), the message «Pr-H» will appear on the display.
- Turn the knob (17) to set the cooking time. The set time will appear on the display (10).

Note: When the indication «Pr-H» lights up on the display, you can activate the cooking mode within 15 minutes by pressing the «Start/Quick start» button (16) again.

- Press the «Start/Quick start» button (16) to start cooking, the countdown of the remaining time will start on the display (10), the icon (25) and the temperature mode symbols (31) will light up.
- After the end of cooking the microwave oven will be switched off, the message «End» will appear on the display (10) and you'll hear three sound signals.

Note:

- For the best results turn over the products during cooking.
- Open the door, turn over the products, close the door and press the «Start/Quick start» button (16) to continue cooking.

COOKING IN «GRILL» MODE

- Open the door, put the products into the oven cavity and close the door.

Note:

- If necessary, use the grill rack (9) placing it on the glass rotary bottom plate (5).

ENGLISH

2. Select the «G» mode pressing the «Grill/Combi/Convection» button (12). The «Grill» mode symbol (26) will appear on the display.
3. Turn the knob (17) to set the cooking time. The set time will appear on the display.
4. Press the «Start/Quick start» button (16) to start cooking, the countdown of the remaining time will start on the display and the «Grill» mode icon (27) will light up.
5. After the end of cooking the microwave oven will be switched off, the message «End» will appear on the display (10) and you'll hear three sound signals.

Note:

- For the best grill results turn over the products during cooking.
- Open the door, turn over the products, close the door and press the «Start/Quick start» button (16) to continue cooking. But you can also cook without turning over the products.

COOKING IN «GRILL/COMBI» MODE

1. Open the oven door, put the products into the oven cavity and close the door.
2. Press the «Grill/Combi/Convection» button (12) repeatedly to select one of two combi cooking modes. The selected mode «G-1» or «G-2» and the symbols (22) and (26) will appear on the display.

Combi cooking options

Table 4

Mode	Power of the oven	Grill power
G - 1	30%	70%
G - 2	55%	45%

1. Turn the knob (17) to set the cooking time. The set time will appear on the display.
2. Press the «Start/Quick start» button (16) to start cooking, the countdown of the remaining time will start on the display and the cooking mode icon (21) will light up.
3. After the end of cooking the microwave oven will be switched off, the message «End» will appear on the display (10) and you'll hear three sound signals.

Note:

- For the best results turn over the products during cooking.
- Open the door, turn over the products, close the door and press the «Start/Quick start» button (16) to continue cooking.

ATTENTION! Do not use the grill rack (9) in «grill/combi» (G1 and G2) and «convection/combi» (C1 and C2) modes.

WEIGHT DEFROST

Open the oven door, put the products into the oven cavity and close the door.

1. Turn the knob (17) to select one of three defrost modes, the symbols (28) and (29) will appear on the display.

Defrost modes

Table 5

Mode	Product	Weight, kg
d-1	meat	from 0.1 to 2.0
d-2	poultry	from 0.2 to 3.0
d-3	seafood	from 0.1 to 0.9

2. Press the «Start/Quick start» button (16) to confirm the selection of defrost mode, the icon (19) will appear on the display.
3. Turn the knob (17) to set the weight of products. You can select the weight of products depending on the selected defrost mode.
4. Press the «Start/Quick start» button (16) to start defrosting process. The countdown of the remaining time will start on the display and the defrost mode icon (30) will light up.
5. After the end of the cooking mode the microwave oven will be switched off, the message «End» will appear on the display (10) and you'll hear three sound signals.

AUTO-COOKING MODES

You can select one of the following auto-cooking modes, setting the respective mode by pressing the button (13) consequently:

Note:

The A-7 mode is intended for heating up 150 g pizza.

The A-8 mode is intended for cooking fish.

Example: cooking of 300 g vegetables:

1. Open the oven door, put the products into the oven cavity and close the door.
2. Select the cooking mode for vegetables by pressing the button (13) repeatedly, the auto-cooking mode number «A-2» and the auto-cooking mode symbol (28) will appear on the display.
3. By turning the knob (17), select the required weight of the products (300 g), which will appear on the display.
4. Press the «Start/Quick start» button (16) to start the auto-cooking. The cooking time will be set automatically, the remaining cooking time and the icon (21) will be shown on the display.
5. After the end of cooking the microwave oven will be switched off, the message «End» will appear on the display (10) and you'll hear three sound signals.

MULTISTEP COOKING

This microwave oven allows to cook food in several steps (up to 4 consequent steps).

Note:

- Auto-cooking mode cannot be set as one of the cooking steps.

For instance, you need to cook food in microwave mode at 80% power during 5 minutes and then cook it in «Grill» mode during 7 minutes. For this do the following:

6. Open the oven door, put the products into the oven cavity and close the door.

Table 6

Program	Weight of product	Display indication
A-1 «Spaghetti»	100 g (and 300 ml cold water)	0.1
	200 g (and 600 ml cold water)	0.2
	300 g (and 900 ml cold water)	0.3
A-2 «Vegetables»	200 g	0.2
	300 g	0.3
	400 g	0.4
	500 g	0.5
	600 g	0.6
	700 g	0.7
	800 g	0.8
A-3 «Frozen vegetables»	200 g	0.2
	300 g	0.3
	400 g	0.4
	500 g	0.5
	600 g	0.6
	800 g	0.8
A-4 «Popcorn»	80 g	3
	100 g	3.5
A-5 «Drinks»	250 ml	250
	500 ml	500
A-6 «Potatoes»	450g	0.45
	650 g	0.65
A-7 «Pizza»	150 g	-
A-8 «Fish»	450g	-

7. Press the «**Microwaves**» button (11), you will hear a sound signal, the microwave mode symbol (22) will appear on the display and the icon (23) will light up.
8. To select the necessary power level press the «**Microwaves**» button (11).
9. Turn the knob (17) to set the cooking time (duration) for 5:00 minutes.
10. Select the «G» mode pressing the «**Grill/Combi/Convection**» button (12). The «Grill» mode symbol (26) will appear on the display.
11. Turn the knob (17) to set the cooking time for 7:00 minutes. The set time will appear on the display.
12. Press the «Start/Quick start» button (16) to start the multistep cooking of products.
13. After the end of the first step of cooking the second cooking mode will be switched on, the symbol (26) and the icon (27) will appear on the display (10), and the countdown the remaining cooking time in «grill» mode will start on the display.
14. After the end of cooking the microwave oven will be switched off, the message «**End**» will appear on the display (10) and you'll hear three sound signals.

DELAYED START TIME SETTING

Set the desired cooking program, for instance, cooking at **80%** power during **7** minutes.

1. Open the oven door, put the products into the oven cavity and close the door.
2. Press the «**Microwaves**» button (11) to select the power level of **80%**, the symbols «**80P**» will appear on the display (10), the symbol (22) and the icon (23) will light up.
3. Turn the knob (17) to set the cooking time (duration) for 7:00 minutes.
4. Press and hold the «**Clock/Preset**» button (14), the hour digits will start flashing.
5. Set the hours value in the range from **0** to **23** by turning the knob (17).
6. Press the «**Clock/Preset**» button (14) to confirm your selection, the minutes digits will start flashing.
7. Set the minutes value in the range from **0** to **59** by turning the knob (17).
8. Press the «**Clock/Preset**» button (14) to confirm, you'll hear a sound signal, the icon (20) will be flash-

ENGLISH

- ing, and the symbol (22) and the icon (23) will light up on the display.
- Once the set time is reached, you'll hear a sound signal and the cooking will start.
 - The remaining cooking time will be shown on the display.
 - After the end of cooking the microwave oven will be switched off, the message «**End**» will appear on the display (10) and you'll hear three sound signals.

Note:

- The current time should be set before the delayed start time setting.
- To check the preset delayed start time press the «**Clock/Presets**» button (14), the cooking start time will be shown on the display (10) during 2-3 seconds.

CHILD SAFETY LOCK

- Locking: press and hold the «**Stop/Cancel**» button (15) for three seconds, you will hear a sound signal, the message «**OFF**» will appear on the display.
- Lock cancel: in lock mode press and hold the «**Pause/Cancel**» button (15) for three seconds, you will hear a sound signal and the message «**OFF**» will go out.

CLEANING AND CARE

- Switch the unit off and unplug it before cleaning.
- Do not let moisture get on the unit control panel. Clean the control panel with a soft, slightly damp cloth and then wipe it dry.

- Keep the oven cavity clean. If food crumbs or spilled liquids stick to oven walls, remove them thoroughly using a damp cloth.
- If the oven body and the cavity are very dirty, you can use a soft detergent.
- Do not use abrasives or wire brushes to clean the oven from the outside and inside the cavity.
- Do not let water or detergent get into the air and steam outlets on the unit lid.
- Do not use ammonia detergents.
- Always keep the door clean. Provide that no crumbs accumulate between the door and the oven front panel as it prevents the door from normal closing.
- Regularly clean the ventilation openings on the rear side of the oven body from dust and dirt, as air for cooling of the unit passes through them. To clean the ventilation openings you can use a vacuum cleaner with a corresponding attachment.
- Regularly take out and clean the glass rotary bottom plate, the roller support and the roller ring; regularly wipe the bottom of the oven cavity.
- Wash the glass bottom plate and the rolling ring with warm water and neutral detergent, then rinse and dry.
- Do not immerse the heated glass rotary bottom plate into cold water, the glass plate can split due to extreme temperature difference.
- To remove unpleasant odors in the cavity put a bowl with water and lemon juice in the oven and boil it for several minutes. Thoroughly wipe the walls of the oven cavity with a soft cloth

TROUBLES AND TROUBLESHOOTING

The microwave oven makes interferences in the reception of TV and radio signals	During operation of the unit interferences in the reception of TV and radio signals can appear. The same interferences appear during operation of small electrical appliances such as a mixer, a vacuum cleaner and a hair dryer. It is normal.
Steam accumulation on the door, hot air output from the ventilation openings.	During cooking, the liquid in the products turns into steam; it will be released from the ventilation openings; the steam can accumulate on the inner side of the door, making it misted up. It is normal.
Microwave oven is switched on without food inside.	Switching the unit on for a short time without food does not cause its damage. Always make sure that there are products in the oven cavity before switching it on.

Troubleshooting

Failure	Possible Cause	Solution
The unit cannot be switched on	The power plug is not properly inserted in the socket.	Pull the plug out of the socket. After 10 seconds insert the plug into the socket again.
	Malfunction of the electric socket	Try to connect another electric unit to the same socket
No heating	The door is not closed tightly	Close the door tightly
The glass rotary bottom plate produces foreign sounds during operation	The roller ring or the bottom part of the oven cavity is dirty.	Remove the glass bottom plate and the roller ring. Wash the roller ring and the bottom of the oven cavity.

**TECHNICAL SPECIFICATIONS
AND CHARACTERISTICS:****Operation conditions:**

Air temperature	from +10° C to +35° C
Relative air humidity	35-80%
Atmospheric pressure	86-106 kPa (650 – 800 mm Hg)

Main specifications

Power supply:	220-240 V ~ 50 Hz
Rated microwave power	900 W
Rated input power	1400 W
Rated input power in grill mode	1000 W
Rated input power in convection mode	1300 W
Microwaves efficiency (%):	55%
Operation frequency	2450 ± 49 MHz
Cavity capacity	28 L
Glass rotary bottom plate, dia.	315 mm
Dimensions, not more than	518x324x440 mm
Net weight	Approximately 17,5 kg.

Delivery set

Microwave oven	1 pc.
Glass rotary bottom plate	1 pc.
Roller ring	1 pc.
Roller support	1 pc.
Grill rack	1 pc.
Instruction manual	1 pc.
Warranty certificate	1 pc.
Recipe book for microwave oven	1 pc.
Giftbox	1 pc.

The manufacturer preserves the right to change design and specifications of the unit without a preliminary notification.

Unit operating life is 5 years**Guarantee**

Details regarding guarantee conditions can be obtained from the dealer from whom the appliance was purchased. The bill of sale or receipt must be produced when making any claim under the terms of this guarantee.

DEUTSCH

MIKROWELLENOFEN

Vor der ersten Inbetriebnahme des Geräts lesen Sie diese Bedienungsanleitung aufmerksam durch.

Wenn Sie alle Hinweise der Bedienungsanleitung genau befolgen, wird Ihnen der Mikrowellenofen auf Jahre hinaus einwandfrei dienen.

Bewahren Sie diese Bedienungsanleitung leicht zugänglich.

Beschreibung

1. Verschlüsse der Mikrowellenofentür
2. Sichtfenster
3. Halterung der Glasplatte
4. Rollenring
5. Glasplatte
6. Austritt der Mikrowellenstrahlung
7. Bedienungsplatte
8. Verriegelungssystem der Mikrowellenofentür
9. Grillgitter

Bedienungsplatte

10. Bildschirm
11. Mikrowellen-Taste
12. Grill/Kombi/Konvektion-Taste
13. Automenü-Taste
14. Uhr/Voreinstellung-Taste
15. Stop/Abbrechen-Taste
16. Start/Schnellstart-Taste
17. Auto/Auftauen/Zeit/Gewicht/Temperatur-Griff

Bildschirm

18. Alphanumerische Symbole / Anzeige der aktuellen Zeit
19. Symbol des gewählten Nahrungsmittelgewichts
20. Piktogramm der aktuellen Zeit
21. Piktogramm des Zubereitungsbetriebs
22. Symbol des Mikrowellenbetriebs
23. Piktogramm des Leistungspegels
24. Symbol des Konvektionbetriebs
25. Piktogramm des Konvektionbetriebs
26. Symbol des Grillbetriebs
27. Piktogramm des Grillbetriebs
28. Symbol des Betriebs der automatischen Nahrungsmittelzubereitung
29. Symbol des Auftaubetriebs
30. Piktogramm des Auftaubetriebs
31. Symbole der Temperaturbetriebe

ACHTUNG!

Als zusätzlicher Schutz ist es zweckmäßig, den FI-Schalter mit Nennstrom maximal bis 30 mA im Stromversorgungsnetz der Küche aufzustellen; wenden Sie sich dafür an einen Spezialisten.

VORSICHTSMAßNAHMEN, DIE EINGEHALTEN WERDEN MÜSSEN, UM DAS RISIKO DER EINWIRKUNG DER MIKROWELLENSTRAHLUNG ZU VERMEIDEN

- Es ist nicht gestattet, den Mikrowellenofen mit der geöffneten Tür zu benutzen, weil die Mikrowellenstrahlung gesundheitsschädlich wirkt.

- Es ist nicht gestattet, Änderungen im Stromkreis der Schutzverriegelungen der Mikrowellenofentür vorzunehmen.
- Es ist nicht gestattet, irgendwelche Gegenstände zwischen dem Gehäuse des Mikrowellenofens und seiner Tür zu setzen, entfernen Sie Verschmutzungen und Reste der Reinigungsmittel von der inneren Seite der Tür.
- Der Austritt der Mikrowellenstrahlung (6) ist mit einer Glimmerplatte bedeckt, entfernen Sie sie nicht und prüfen Sie, ob sie sauber ist.
- Benutzen Sie den beschädigten Mikrowellenofen nicht, insbesondere ist es wichtig, dass sich die Tür des Mikrowellenofens ordnungsgemäß schließt.
- Achten Sie bitte darauf, dass:
 - die Mikrowellentür nicht beschädigt ist (z.B. gebogen),
 - Scharniere und Verschlüsse nicht beschädigt sind (gebrochen oder gelockert),
 - das Schirmgitter von der inneren Seite des Sichtfensters nicht beschädigt ist.
- Die Einstellung oder die Reparatur des Mikrowellenofens sollen nur vom Fachpersonal eines autorisierten (bevollmächtigten) Kundendienstes durchgeführt werden.

WICHTIGE SICHERHEITSMABNAHMEN

ACHTUNG! Es ist nicht gestattet, den Mikrowellenofen bei der Beschädigungen der Tür oder der Türbände zu benutzen, bis das Fachpersonal die entstandene Störung beseitigt!

ACHTUNG! Alle Reparaturen und Wartungen des Geräts, bei denen die Schutzdeckel gegen Mikrowellenenergie abgenommen werden müssen, sollen nur vom Fachpersonal vorgenommen werden! ACHTUNG! Es ist nicht gestattet, Flüssigkeiten und andere Nahrungsmittel in dicht geschlossenen Behältern zu erwärmen, um die Explosion der Verpackung zu vermeiden!

ACHTUNG! Die Benutzung des Mikrowellenofens ohne Aufsicht darf Kindern nur dann erlaubt werden, wenn ihnen entsprechende und verständliche Anweisungen über sichere Nutzung des Mikrowellenofens und die Gefahren bei seiner falschen Nutzung gegeben sind!

ACHTUNG! Das beschädigte Netzkabel soll von einem autorisierten (bevollmächtigten) Kundendienst ersetzt werden, um die Gefahr zu vermeiden.

ACHTUNG! Der Mikrowellenofen darf von Kindern, Körperbehinderten und Intelligenzgeschädigten, oder wenn sie keine Erfahrung und Kenntnisse besitzen, nicht genutzt werden, wenn sie sich unter Aufsicht der Person, die für ihre Sicherheit verantwortlich ist, nicht befinden oder entsprechende Anweisungen über die Nutzung des Mikrowellenofens nicht bekommen haben!

WARNUNG: Während des Betriebs des Mikrowellenofens sind die Außenoberflächen des Mikrowellenofens der Aufheizung ausgesetzt.

WARNUNG: Die Temperatur der Innenoberflächen

des Garraums kann während des Betriebs des Geräts hoch sein.

ACHTUNG! Bei der Nutzung des Mikrowellenofens im Kombi- oder Grillbetrieb ist es nicht gestattet, Kinder ohne Aufsicht der Erwachsenen nah an den Ofen heranzulassen.

SICHERHEITSMABNAHMEN

Vor der ersten Inbetriebnahme des Mikrowellenofens lesen Sie diese Bedienungsanleitung aufmerksam durch und bewahren Sie diese für weitere Referenz auf.

Benutzen Sie dieses Gerät nur bestimmungsmäßig und laut der Bedienungsanleitung. Nicht ordnungsgemäße Nutzung des Geräts kann zu seiner Störung führen, einen gesundheitlichen oder materiellen Schaden beim Nutzer hervorrufen.

Um das Risiko der Verbrennungen, Stromschläge, Brandfälle, Einwirkung der Mikrowellenstrahlung und des Gesundheitsschadens zu vermeiden, befolgen Sie folgende Empfehlungen.

- Vergewissern Sie sich vor dem ersten Einschalten des Mikrowellenofens, dass die Netzspannung und die Spannung am Gehäuse des Geräts übereinstimmen.
- Benutzen Sie den Mikrowellenofen nur bestimmungsgemäß, wie es in dieser Bedienungsanleitung angeführt ist.
- Der Mikrowellenofen ist für die Nahrungsmittelzubereitung und Aufwärmung von fertigen Gerichten bestimmt.
- Es ist nicht gestattet, den Mikrowellenofen ohne Nahrungsmittel einzuschalten.

Um das Brandrisiko im Garraum des Mikrowellenofens zu vermeiden, befolgen Sie folgende Regeln.

- Passen Sie beim Aufwärmen von Nahrungsmitteln in Plastik- oder Papierverpackung auf den Aufwärmungsprozess auf, um die Entzündung der Verpackung zu vermeiden.
- Entfernen Sie Verdrahtung (Klammern) vor der Anbringung der Papier- oder Plastikpakete im Mikrowellenofen.
- Bei der Entflammung innerhalb des Mikrowellenofens schalten Sie ihn sofort aus, trennen Sie ihn vom Stromnetz ab, und lassen Sie die Mikrowellenofentür geschlossen, um die Feuerverbreitung zu vermeiden.
- Es ist nicht gestattet, den Garraum des Mikrowellenofens zur Aufbewahrung von irgendwelchen Gegenständen zu benutzen, lassen Sie kein Papier oder Nahrungsmittel im Garraum.
- Das Gerät ist nicht für die Betätigung durch eine externe Zeitschaltuhr oder eine separate Fernsteuerung geeignet.
- Prüfen Sie vorher das Geschirr, ob es für die Nutzung im Mikrowellenofen geeignet ist.
- Das Geschirr kann durch die Wärmeaufnahme von den zubereitenden Nahrungsmitteln sehr stark erhitzt werden, benutzen Sie Topfhandschuhe und Topflappen.

- Seien Sie vorsichtig, wenn Sie das Geschirr aus dem Mikrowellenofen herausnehmen, weil das Aufwallen von Flüssigkeiten auch nach ihrer Aufwärmung im Mikrowellenofen erfolgen kann.
- Das Gerät ist nur für die Zubereitung/Aufwärmung von Nahrungsmitteln und Getränken geeignet. Die Trocknung von Kleidung oder Aufwärmung von verschiedenen Artikeln des täglichen Bedarfs kann zum Risiko der Beschädigung des Mikrowellenofens, zur Entzündung der im Ofen befindlichen Artikel und zum Brandrisiko führen.
- Es ist nicht gestattet, Eier mit Eierschale und hartgekochte Eier im Mikrowellenofen zuzubereiten oder aufzuwärmen, weil diese durch die Erhöhung des Innendrucks explodieren können.
- Kinderflaschen und Gläser mit Kindernahrung müssen in den Mikrowellenofen ohne Deckel und Sauger gestellt werden. Das Füllgut muss umgerührt oder periodisch geschüttelt werden. Vor Ernährung des Kindes muss die Temperatur des Füllguts des Glases oder der Flasche geprüft werden, um Verbrennungen zu vermeiden.
- Lassen Sie das eingeschaltete Gerät nie unbeaufsichtigt.
- Aus Kindersicherheitsgründen lassen Sie die Plastiktüten, die als Verpackung verwendet werden, nie ohne Aufsicht.
- **Achtung! Lassen Sie Kinder mit Plastiktüten oder Folien nicht spielen. Erstickungsgefahr!**
- Besondere Vorsichtsmaßnahmen sind in den Fällen angesagt, wenn sich Kinder oder behinderte Personen während der Nutzung des Geräts in der Nähe aufhalten.
- Dieses Gerät darf von Kindern und behinderten Personen nicht genutzt werden. In Ausnahmefällen soll die Person, die für ihre Sicherheit verantwortlich ist, ihnen entsprechende und verständliche Anweisungen über sichere Nutzung des Geräts und über die Gefahren bei seiner falschen Nutzung geben.
- Sperren Sie nie Lüftungsöffnungen am Gehäuse des Mikrowellenofens ab.
- Stellen Sie den Mikrowellenofen innerhalb der Küchenkästen, Schränke und auf den Regalen, die keine richtige Belüftung gewährleisten, nicht auf.
- Tauchen Sie das Netzkabel und den Netzstecker ins Wasser oder beliebige andere Flüssigkeiten nicht.
- Vermeiden Sie die Berührung des Netzkabels und des Netzsteckers mit heißen Oberflächen und scharfen Möbelkanten.
- Es ist nicht gestattet, das Netzkabel beim Abtrennen des Geräts vom Stromnetz zu ziehen. Halten Sie den Netzstecker.
- Es ist nicht gestattet, den Stecker des Netzkabels mit nassen Händen zu nehmen, weil es zum Stromschlag führen kann;
- Es ist nicht gestattet, den Mikrowellenofen zu benutzen, wenn das Netzkabel oder der Netzstecker beschädigt ist, wenn der Mikrowellenofen nicht richtig funktioniert oder heruntergefallen ist.
- Es ist nicht gestattet, den Mikrowellenofen selbständig zu zerlegen und zu reparieren, um Stromschläge

DEUTSCH

zu vermeiden; wenden Sie sich bei der Feststellung von Beschädigungen an einen autorisierten (bevollmächtigten) Kundendienst.

DAS GERÄT IST NUR FÜR DEN GEBRAUCH IM HAUSHALT GEEIGNET

ANWEISUNG ZUR ERDUNG DES MIKROWELLEN-OFENS

- *Der Mikrowellenofen soll sicher geerdet werden. Im Falle eines inneren Kurzschlusses, senkt die Erdung das Stromschlagrisiko, weil die Stromableitung über den Erdleiter erfolgt. Es wird ein Erdungskabel mit Erdleiter und ein Netzstecker mit Erdungskontakt im Mikrowellenofen verwendet.*
- *Der Netzstecker wird an die Steckdose angeschlossen, die über einen Erdungskontakt auch verfügen muss.*

Warnung:

- Die Nutzung des Netzsteckers mit Erdungskontakt, der in die Steckdose ohne Erdung angeschlossen ist, kann zum Stromschlagrisiko führen.
- Lassen Sie sich bei einem qualifizierten Elektriker beraten, falls Sie einige Erdungsanweisungen nicht verstehen oder wenn Sie zweifeln, dass der Mikrowellenofen eine sichere Erdung hat.
- Um die Verwicklung des Netzkabels zu vermeiden verfügt der Mikrowellenofen über ein kurzes Netzkabel.
- Bei der Notwendigkeit verwenden Sie nur ein Dreileiter-Verlängerungskabel mit Erdung am Netzstecker und an der Steckdose.
- Die Drahtquerschnitt-Markierung am Netzkabel des Mikrowellenofens und die Markierung am Verlängerungskabel müssen übereinstimmen.
- Das Verlängerungskabel darf vom Tischrand nicht frei hängen, wo Kinder daran ziehen können. Das Verlängerungskabel soll so verlegt werden, dass man es nicht auftritt.

ALLGEMEINE REGELN FÜR NAHRUNGSMITTELZUBEREITUNG IN MIKROWELLENÖFEN

WARNUNG: Vergessen Sie nicht, Dicht- oder Vakuumverpackung vor der Erwärmung oder Zubereitung der Nahrungsmittel zu öffnen. Anderenfalls kann ein Druck in der Verpackung entstehen, wodurch diese explodieren kann.

- Es ist nicht gestattet, Eier mit Eierschale und hartgekochte Eier im Mikrowellenofen zuzubereiten oder aufzuwärmen, weil diese durch die Erhöhung des Innendrucks explodieren können. Stechen Sie dicke Schale der Nahrungsmittel (wie z.B. Kartoffeln, Gurkenkürbisse oder Äpfel) vor der Zubereitung an einigen Stellen durch.
- Kinderflaschen und Gläser mit Kindernahrung müssen in den Mikrowellenofen ohne Deckel und Sauger gestellt werden. Das Füllgut muss umgerührt oder periodisch geschüttelt werden. Vor dem Füttern muss die Temperatur der Nahrung geprüft werden, um die Verbrennungen zu vermeiden.

- Es ist nicht gestattet, Bacon bei der Zubereitung direkt auf die Glasplatte zu legen, die lokale Überhitzung kann zur Entstehung von Rissen in der Glasplatte führen.
- Benutzen Sie während der Zubereitung das Geschirr, das für die Nutzung im Mikrowellenofen geeignet ist, und stellen Sie es auf die Glasplatte auf.
- Um eine gleichmäßige Nahrungsmittelzubereitung zu erzielen, legen Sie dickere Stücke an den Rand des Geschirrs.
- Passen Sie auf die Zubereitungsdauer auf. Stellen Sie die kürzeste Zubereitungsdauer ein und, falls es notwendig ist, erhöhen Sie die Zubereitungszeit.
- Es ist nicht gestattet, die Zubereitungszeit von Nahrungsmitteln zu überschreiten, es kann zu ihrer Entzündung führen.
- Bereiten Sie das Essen unter einem für Mikrowellenöfen geeigneten Deckel zu. Der Deckel verhindert das Abspritzen des Saftes oder Fettes und fördert eine gleichmäßige Nahrungsmittelzubereitung.
- Um die Zubereitung von Schnellkochprodukten (z.B. Hamburgern) zu beschleunigen, wälzen Sie sie während der Zubereitung einmal um. Grosse Fleischstücke müssen während der Zubereitung mindestens zweimal umgewälzt werden.
- Rühren Sie Nahrungsmittel während der Zubereitung um, indem Sie diese von oben nach unten und von Zentrum zum Rand des Geschirrs verschieben.

ANWEISUNGEN ZUR GESCHIRRWAHL

- Das ideale Material des Geschirrs soll „durchsichtig“ für Mikrowellenstrahlung sein, das lässt ihre Energie durch das Geschirr strömen und Nahrungsmittel aufwärmen.
- Mikrowellen können durch Metall nicht durchdringen, deswegen darf Metallgeschirr oder Geschirr mit Metalldekor im Mikrowellenofen nicht verwendet werden.
- Es ist nicht gestattet, Gegenstände in den Mikrowellenofen hineinzulegen, die aus verarbeitetem Papier hergestellt sind, da es Metalleinprägungen enthalten kann, die die Entflammung der Verpackung hervorrufen können.
- Im Vergleich zum rechteckigen Geschirr ist rundes und ovales Geschirr für die Nutzung im Mikrowellenofen vorteilhaft.
- Nutzen Sie kein Geschirr mit Ausbrüchen und Rissen.

PRÜFUNG DES GESCHIRRS VOR DER NUTZUNG IM MIKROWELLENOFEN

- Stellen Sie das zu prüfende Geschirr (z.B. einen Teller) in den Garraum des Mikrowellenofens, stellen Sie darauf ein Glas mit Kaltwasser.
- Schalten Sie den Mikrowellenofen auf der maximalen Betriebsstufe um und stellen Sie die Betriebszeit nicht mehr als 1 Minute ein.
- Berühren Sie vorsichtig das zu prüfende Geschirr, falls es aufgewärmt ist, und das Wasser im Glas kalt geblieben ist, darf solches Geschirr im Mikrowellenofen nicht genutzt werden.
- Die Prüfdauer soll 1 Minute nicht überschreiten.

Mikrowellenofengeeignete Stoffe und Geschirr

Geschirr fürs Braten	Folgen Sie den Hinweisen des Produzenten. Der Boden des Geschirrs fürs Braten soll um 5 mm dicker sein, als der der drehbaren Glasplatte. Nicht ordnungsgemäße Nutzung des Geschirrs fürs Braten kann zur Entstehung der Risse im Geschirr selbst und in drehender Glasplatte führen.
Tafelgeschirr	Man darf nur das Tafelgeschirr, das entsprechende Markierung hat, benutzen. Folgen Sie den Hinweisen des Produzenten des Geschirrs. Verwenden Sie kein Geschirr mit Rissen oder Absplitterungen.
Glasbehälter	Man darf nur die Glasbehälter, die aus hitzebeständigem Glas hergestellt sind, benutzen. Vergewissern Sie sich darüber, dass es keine Metallränder gibt. Verwenden Sie keine Behälter mit Rissen oder Absplitterungen.
Glasgeschirr	Man darf nur das Glasgeschirr, das aus hitzebeständigem Glas hergestellt ist, benutzen. Vergewissern Sie sich darüber, dass es keine Metallränder gibt. Verwenden Sie kein Geschirr mit Rissen oder Absplitterungen.
Spezielle Säcke für die Nahrungsmittelzubereitung im Mikrowellenofen	Folgen Sie den Hinweisen des Produzenten. Schließen Sie die Säcke mit Metallverdrehungen oder Klammern nicht. In den Säcken muss man einige Öffnungen für den Dampfaustritt machen.
Papierteller und -tassen	Man darf die Papierteller und -tassen nur für kurzzeitige Zubereitung / Aufwärmen benutzen. Lassen Sie den Mikrowellenofen ohne Beaufsichtigung während der Zubereitung / des Aufwärmens der Nahrungsmittel in solchem Geschirr nicht.
Papierhandtücher	Während der Zubereitung kann man die zubereitenden Nahrungsmittel für Verwahrung der Wärme darin und für Vermeidung des Fettspritzens mit den Papierhandtüchern bedecken. Verwenden Sie die Papierhandtücher nur bei ständiger Kontrolle und nur für kurzzeitige Zubereitung / Aufwärmen.
Pergamentpapier	Verwenden Sie das Pergamentpapier zwecks Vermeidung des Fettspritzens oder als Umschlag.
Plaststoff	Sie dürfen nur Erzeugnisse aus Kunststoff benutzen, die entsprechende Markierung „Für Mikrowellenöfen geeignet“ haben. Folgen Sie den Hinweisen des Produzenten. Einige Plastikbehälter können als Ergebnis der Erwärmung der darin enthaltenen Nahrungsmittel aufgeweicht werden. Dicht zugemachte Plastiktüten muss man durchstechen oder durchschneiden, wie es an den Verpackungen selbst gezeigt ist.
Plastumschlag	Sie dürfen nur Erzeugnisse aus Kunststoff benutzen, die entsprechende Markierung haben.
Wachspapier	Verwenden Sie das Wachspapier für Vermeidung des Fettspritzens und auch für die Erhaltung der Feuchtigkeit.

Stoffe und Geschirr, die für die Nutzung im Mikrowellenofen nicht geeignet sind

Alutabletts und -folie	Alutabletts und -folie können Funkenbildung hervorrufen. Benutzen Sie das Geschirr, das speziell für die Nutzung im Mikrowellenofen bestimmt ist.
Papptasse mit Metallgriff	Eine Papptasse mit Metallgriff kann Funkenbildung hervorrufen. Benutzen Sie das Geschirr, das speziell für die Nutzung im Mikrowellenofen bestimmt ist.
Metallgeschirr oder Geschirr mit Metallrand	Metall schirmt die Energie der Mikrowellen ab. Ein Metallrand kann Funkenbildung hervorrufen.
Metallbinden	Metallbinden können Funkenbildung und auch Entzünden der Verpackung während der Zubereitung/Aufwärmung der Nahrungsmittel hervorrufen.
Papiertüten	Die Papiertüten können das Entzünden im Mikrowellenofen hervorrufen.
Seife	Die Seife kann schmelzen und Verschmutzung des Garraums des Mikrowellenofens hervorrufen.
Holz	Das Holzgeschirr kann austrocknen, rissig werden und sich entzünden.

DEUTSCH

MONTAGE DES MIKROWELLENOFENS

Nachdem der Mikrowellenofen unter niedrigen Temperaturen oder Winterbedingungen transportiert oder aufbewahrt wurde, lassen Sie es vor der Nutzung bei der Raumtemperatur ausgepackt für nicht weniger als 2 Stunden bleiben.

- Entfernen Sie alle Verpackungsmaterialien und Zubehör aus dem Garraum des Mikrowellenofens.
- Prüfen Sie den Mikrowellenofen auf Störungen. Besonders aufmerksam prüfen Sie die Tür. Falls Sie irgendwelche Beschädigungen entdeckt haben, stellen Sie den Mikrowellenofen nicht auf und schalten Sie ihn nicht ein.

Schutzdeckung

Gehäuse: Entfernen Sie die Schutzfolie (falls am Gehäuse vorhanden ist) von der Oberfläche des Gehäuses.

Es ist nicht gestattet, die weiß-graue Glimmerplatte vom Austritt der Mikrowellenstrahlung (6) im Garraum zu entfernen, sie dient zum Schutz des Magnetrons.

Aufstellung der Glasplatte

- Stellen Sie die Halterung der Glasplatte (3) in die Aussparung im Boden des Garraums auf.
- Stellen Sie den Rollenring (4) auf den Boden des Garraums auf.
- Stellen Sie die Glasplatte (5) auf den Rollenring (4) vorsichtig auf, indem Sie die Vorsprünge mit den Aussparungen der Halterung (3) zusammenfallen lassen.
- Es ist nicht gestattet, die Glasplatte mit der unteren Seite nach oben aufzustellen.
- Es ist nicht gestattet, die Drehung der Glasplatte während des Betriebs des Mikrowellenofens zu verhindern.
- Während der Nahrungsmittelzubereitung benutzen Sie immer die Glasplatte (5), die Halterung (3) und den Rollenring (4).
- Das Geschirr für die Nahrungsmittelzubereitung soll nur auf die Glasplatte (5) aufgestellt werden.
- Die Glasplatte (5) kann sich im oder entgegen dem Uhrzeigersinn drehen.
- Bei der Entstehung von Sprüngen oder Splitterungen auf der Glasplatte (5) soll der Betrieb des Mikrowellenofens sofort unterbrochen und die Glasplatte ausgetauscht werden.

INBETRIEBNAHME

Vor dem Einschalten des Mikrowellenofens vergewissern Sie sich, dass die Netzspannung und die Spannung am Gehäuse des Geräts übereinstimmen.

EINSTELLUNG DER AKTUELLEN ZEIT

Beim Anschließen des Mikrowellenofens ans Stromnetz, leuchtet der Bildschirm (10) auf, ertönt ein Tonsignal, und auf dem Bildschirm werden blinkende Trennpunkte «:» angezeigt. Sie können die Zeit im Bereich von **0:00 bis 23:59** einstellen.

1. Drücken Sie die **Uhr/Voreinstellung-Taste** (14), auf dem Bildschirm werden blinkende Ziffern «0:» angezeigt und leuchtet das Piktogramm (20) auf.
2. Stellen Sie den Stunden-Ziffernwert durch das Drehen des Griffes (17) ein.
3. Drücken Sie die **Uhr/Voreinstellung-Taste** (14), auf dem Bildschirm werden blinkende Ziffern «:00» angezeigt.
4. Stellen Sie den Minuten-Ziffernwert durch das Drehen des Griffes (17) ein.
5. Drücken Sie die **Uhr/Voreinstellung-Taste** (14), um die Zeit-Einstellung zu beenden. Ein Tonsignal ertönt, auf dem Bildschirm wird die eingestellte Zeit angezeigt, das Piktogramm (20) wird aufleuchten und die Trennpunkte «:» werden blinken.

Anmerkung

- Falls Sie nach dem Anschließen des Mikrowellenofens ans Stromnetz den Ziffernwert der Zeit nicht eingegeben haben, wird die aktuelle Zeit auf dem Bildschirm (10) nicht angezeigt.
- Falls das Gerät nach dem Drücken der Taste (14) nicht betätigt wird, werden die Angaben «0:00» auf dem Bildschirm nach 10 Sekunden automatisch eingestellt.

NAHRUNGSMITTELZUBEREITUNG IM MIKROWELLENBETRIEB

Wählen Sie die Mikrowellenleistung und stellen Sie die Zubereitungszeit ein.

1. Öffnen Sie die Tür des Mikrowellenofens, legen Sie die Nahrungsmittel in den Garraum, schließen Sie die Tür zu.
2. Drücken Sie die **Mikrowellen-Taste** (11), ein Tonsignal ertönt, auf dem Bildschirm wird das Symbol des Mikrowellenbetriebs (22) angezeigt und leuchtet das Piktogramm (23) auf.
3. Zur Wahl des notwendigen Leistungspegels drücken Sie die **Mikrowellen-Taste** (11). Auf dem Bildschirm werden folgende Leistungsbetriebe angezeigt:

Tabelle 1

Drückenanzahl	Abbildung auf dem Bildschirm	Mikrowellenleistung
1	100P	100%
2	80P	80%
3	60P	60%
4	40P	40%
5	20P	20%

4. Stellen Sie die Zubereitungszeit der Nahrungsmitteln durch das Drehen des Griffes (17) ein. Auf dem Bildschirm (10) wird die eingestellte Zubereitungszeit angezeigt.

Anmerkung

- Sie können die Zubereitungszeit im Bereich von 0:10-60:00 mit dem Schritt, der in der Tabelle angegeben ist, einstellen:
5. Drücken Sie die **Start/Schnellstart-Taste** (16), um die Nahrungsmittelzubereitung anzufangen, auf dem Bildschirm (10) beginnt das Restzeitabzählen und leuchtet das Piktogramm (21) auf.

Tabelle 2

Zeitintervall	Zeiteinstellungsschritt
0-5 Min.	10 Sek.
5- 10 Min.	30 Sek.
10-60 Min.	1 Min.

- Nach der Beendigung der Nahrungsmittelzubereitung schaltet sich der Mikrowellenofen aus, auf dem Bildschirm (10) leuchtet die Aufschrift «End» und ertönen drei Tonsignale.
- Nach der Nahrungsmittelzubereitung öffnen Sie die Tür des Mikrowellenofens und nehmen Sie die gartfertigen Nahrungsmittel aus.

Anmerkung

- Während der Nahrungsmittelzubereitung können Sie die Zubereitungszeit durch das Drehen des Griffs (17) oder durch die nochmaligen Drücken der Taste (16) ändern. Der Einstellungsschritt ist in der Tabelle 2 angegeben.
- Sie können die Gare der Nahrungsmittel prüfen, indem Sie die Tür öffnen. Falls das Nahrungsmittel nicht gartfertig ist, schließen Sie die Tür zu und drücken Sie die Start/Schnellstart-Taste(16), um die Nahrungsmittelzubereitung fortzusetzen.

BETRIEB DER SCHNELLEN NAHRUNGSMITTELZUBEREITUNG

- Öffnen Sie die Tür des Mikrowellenofens, legen Sie die Nahrungsmittel in den Garraum, schließen Sie die Tür zu.
- Drücken Sie die Start/Schnellstart-Taste(16) zum Beginn der Zubereitung bei maximaler Leistung innerhalb von 1 Minute.

Anmerkung: Die Zubereitungszeit der Nahrungsmittel können Sie durch das Drehen des Griffs (17) oder durch die nochmaligen Drücken der Taste (16) mit dem Einstellungsschritt, der in der Tabelle 2 angegeben ist, ändern.

- Nach der Beendigung der Nahrungsmittelzubereitung schaltet sich der Mikrowellenofen aus, auf dem Bildschirm (10) leuchtet die Aufschrift «End» und ertönen drei Tonsignale.
- Nach der Nahrungsmittelzubereitung öffnen Sie die Tür des Mikrowellenofens und nehmen Sie die gartfertigen Nahrungsmittel aus.

NAHRUNGSMITTELZUBEREITUNG IM KONVEKTIONSBETRIEB

- Öffnen Sie die Tür des Mikrowellenofens, legen Sie die Nahrungsmittel in den Garraum, schließen Sie die Tür zu.

Anmerkung

- Falls notwendig, benutzen Sie das Grillgitter (9), indem Sie es auf die Glassplatte (5) aufstellen.
- Wählen Sie den Konvektionbetrieb «C», indem Sie die Grill/Kombi/Konvektion-Taste (12) drücken. Auf dem Bildschirm erscheint das Symbol des Konvektionbetriebs (24).
 - Stellen Sie die Aufwärmungstemperatur durch das Drehen des Griffs (17) ein. Auf dem Bildschirm (10)

wird das Symbol eines von den Temperaturbetrieben (31) angezeigt.

Anmerkung

- Im Konvektionbetrieb sind folgende Werte der Aufwärmungstemperatur zugänglich: 100, 140, 180, 200 und 230 °C.

- Drücken Sie die Start/Schnellstart-Taste(16), auf dem Bildschirm erscheint die Aufschrift «Pr-H».
- Stellen Sie die Zubereitungszeit durch das Drehen des Griffs (17) ein. Auf dem Bildschirm (10) wird die eingestellte Zeit angezeigt.

Anmerkung: Wenn die Anzeige «Pr-H» auf dem Bildschirm leuchtet, aktiviert das nochmalige Drücken der Start/Schnellstart-Taste(16) den Kochbetrieb innerhalb von 15 Minuten.

- Drücken Sie die Start/Schnellstart-Taste (16), um die Nahrungsmittelzubereitung zu beginnen, auf dem Bildschirm (10) beginnt das Restzeitabzählen, leuchtet das Piktogramm (25) auf und werden die Symbole der Temperaturbetriebe (31) angezeigt.
- Nach der Beendigung der Nahrungsmittelzubereitung schaltet sich der Mikrowellenofen aus, auf dem Bildschirm (10) leuchtet die Aufschrift «End» und ertönen drei Tonsignale.

NAHRUNGSMITTELZUBEREITUNG IM KONVEKTION-/KOMBIBETRIEB

- Öffnen Sie die Tür des Mikrowellenofens, legen Sie die Nahrungsmittel in den Garraum, schließen Sie die Tür zu.
- Wählen Sie einen von zwei Betrieben der Kombizubereitung, indem Sie die Grill/Kombi/Konvektion-Taste (12) konsequent drücken. Der von Ihnen gewählte Betrieb «C-1» oder «C-2» und die Symbole (22) und (24) werden auf dem Bildschirm angezeigt.
- Stellen Sie die Aufwärmungstemperatur durch das Drehen des Griffs (17) ein. Auf dem Bildschirm (10) wird das Symbol eines von den Temperaturbetrieben (31) angezeigt.

Varianten der Kombizubereitung

Tabelle 3

Betrieb	Mikrowellen	Konvektion	Aufwärmungstemperatur, °C
C -1	30%	70%	100, 140, 180
C -2	55%	45%	100, 140, 180

- Drücken Sie die Start/Schnellstart-Taste(16), auf dem Bildschirm erscheint die Aufschrift «Pr-H».
- Stellen Sie die Zubereitungszeit durch das Drehen des Griffs (17) ein. Auf dem Bildschirm (10) wird die eingestellte Zeit angezeigt.

Anmerkung: Wenn die Anzeige «Pr-H» auf dem Bildschirm leuchtet, aktiviert das nochmalige Drücken der Start/Schnellstart-Taste(16) den Kochbetrieb innerhalb von 15 Minuten.

- Drücken Sie die Start/Schnellstart-Taste(16), um die Nahrungsmittelzubereitung zu beginnen, auf dem Bildschirm (10) beginnt das Restzeitabzählen, leuch-

DEUTSCH

tet das Piktogramm (25) auf und werden die Symbole der Temperaturbetriebe (31) angezeigt.

- Nach der Beendigung der Nahrungsmittelzubereitung schaltet sich der Mikrowellenofen aus, auf dem Bildschirm (10) leuchtet die Aufschrift «End» und ertönen drei Tonsignale.

Anmerkung

- Für die besten Ergebnisse wälzen Sie die Nahrungsmittel während der Zubereitung um.
- Öffnen Sie die Tür, wälzen Sie die Nahrungsmittel um, schließen Sie die Tür zu und drücken Sie die Start/Schnellstart-Taste(16), um die Nahrungsmittelzubereitung fortzusetzen.

NAHUNGSMITTELZUBEREITUNG IM GRILLBETRIEB

- Öffnen Sie die Tür des Mikrowellenofens, legen Sie die Nahrungsmittel in den Garraum, schließen Sie die Tür zu.

Anmerkung

- Falls notwendig, benutzen Sie das Grillgitter (9), indem Sie es auf die Glassplatte (5) aufstellen.
- Wählen Sie den Betrieb «G», indem Sie die Grill/Kombi/Konvektion-Taste (12) drücken. Auf dem Bildschirm erscheint das Symbol des Grillbetriebs (26).
 - Stellen Sie die Zubereitungszeit durch das Drehen des Griffs (17) ein. Auf dem Bildschirm wird die eingestellte Zeit angezeigt.
 - Drücken Sie die Start/Schnellstart-Taste(16), um die Nahrungsmittelzubereitung zu beginnen, auf dem Bildschirm (10) beginnt das Restzeitabzählen und leuchtet das Piktogramm des Grillbetriebs (27) auf.
 - Nach der Beendigung der Nahrungsmittelzubereitung schaltet sich der Mikrowellenofen aus, auf dem Bildschirm (10) leuchtet die Aufschrift «End» und ertönen drei Tonsignale.

Anmerkung

- Für die besten Ergebnisse bei der Zubereitung im Grillbetrieb, wälzen Sie die Nahrungsmittel während der Zubereitung um.
- Öffnen Sie die Tür, wälzen Sie die Nahrungsmittel um, schließen Sie die Tür zu und drücken Sie die Start/Schnellstart-Taste(16), um die Nahrungsmittelzubereitung fortzusetzen. Sie haben aber die Nahrungsmittel nicht umwälzen müssen.

NAHUNGSMITTELZUBEREITUNG IM GRILL-/KOMBIBETRIEB

- Öffnen Sie die Tür des Mikrowellenofens, legen Sie die Nahrungsmittel in den Garraum, schließen Sie die Tür zu.
- Wählen Sie einen von zwei Betrieben der Kombizubereitung, indem Sie die Grill/Kombi/Konvektion-Taste (12) konsequent drücken. Der von Ihnen gewählte Betrieb «G-1» oder «G-2» und die Symbole (22) und (26) werden auf dem Bildschirm angezeigt.
- Stellen Sie die Zubereitungszeit durch das Drehen des Griffs (17) ein. Auf dem Bildschirm wird die eingestellte Zeit angezeigt.

Varianten der Kombizubereitung

Tabelle 4

Betrieb	Mikrowellenleistung	Grill-Leistung
G -1	30%	70%
G -2	55%	45%

- Drücken Sie die Start/Schnellstart-Taste(16), um die Nahrungsmittelzubereitung zu beginnen, auf dem Bildschirm beginnt das Restzeitabzählen und leuchtet das Piktogramm des Kochbetriebs (21) auf.
- Nach der Beendigung des Betriebs der Nahrungsmittelzubereitung schaltet sich der Mikrowellenofen aus, auf dem Bildschirm (10) leuchtet die Aufschrift «End» und ertönen drei Tonsignale.

Anmerkung

- Für die besten Ergebnisse wälzen Sie die Nahrungsmittel während der Zubereitung um.
- Öffnen Sie die Tür, wälzen Sie die Nahrungsmittel um, schließen Sie die Tür zu und drücken Sie die Start/Schnellstart-Taste(16), um die Nahrungsmittelzubereitung fortzusetzen.

ACHTUNG! Es ist nicht gestattet, das Grillgitter (9) in den Grill-/Kombibetrieben (G1 und G2) und in den Konvektion-/Kombibetrieben (C1 und C2) zu benutzen.

AUFTAUEN VON NAHRUNGSMITTELN NACH GEWICHT

Öffnen Sie die Tür des Mikrowellenofens, legen Sie die Nahrungsmittel in den Garraum, schließen Sie die Tür zu.

- Wählen Sie einen von drei Auftaubetrieben durch das Drehen des Griffs (17), auf dem Bildschirm erscheinen die Symbole (28) und (29).

Auftaubetriebe

Tabelle 5

Betrieb	Nahrungsmittel	Gewicht, kg
d-1	Fleisch	von 0,1 bis 2,0
d-2	Geflügel	von 0,2 bis 3,0
d-3	Meeresprodukte	von 0,1 bis 0,9

- Drücken Sie die Start/Schnellstart-Taste (16) zur Bestätigung der Wahl des Auftaubetriebs, auf dem Bildschirm erscheint das Piktogramm (19).
- Stellen Sie das Nahrungsmittelgewicht durch das Drehen des Griffs (17) ein. Sie können das Nahrungsmittelgewicht abhängig vom gewählten Auftaubetrieb eingeben.
- Drücken Sie die Start/Schnellstart-Taste (16) zum Beginn des Auftauens der Nahrungsmittel. Auf dem Bildschirm beginnt das Restzeitabzählen und leuchtet das Piktogramm des Auftaubetriebs (30) auf.
- Nach der Beendigung der Nahrungsmittelzubereitung schaltet sich der Mikrowellenofen aus, auf dem Bildschirm (10) leuchtet die Aufschrift «End» und ertönen drei Tonsignale.

BETRIEBE DER AUTOMATISCHEN ZUBEREITUNG

Sie können einen von den folgenden automatischen Betrieben wählen, indem Sie den entsprechenden Betrieb durch das Drücken der Taste (13) einstellen:

Tabelle 6

Menü	Gewicht der Nahrungsmittel	Bildschirm-Angaben
A-1 „Makkaroni“	100 g (und 300 ml kaltes Wasser)	0,1
	200 g (und 600 ml kaltes Wasser)	0,2
	300 g (und 900 ml kaltes Wasser)	0,3
A-2 „Gemüse“	200 g	0,2
	300 g	0,3
	400 g	0,4
	500 g	0,5
	600 g	0,6
	700 g	0,7
	800 g	0,8
A-3 „Gefrorenes Gemüse“	200 g	0,2
	300 g	0,3
	400 g	0,4
	500 g	0,5
	600 g	0,6
	700 g	0,7
A-4 „Popcorn“	80 g	3
	100 g	3,5
A-5 „Getränke“	250 ml	250
	500 ml	500
A-6 Kartoffeln	450 g	0,45
	650 g	0,65
A-7 „Pizza“	150 g	-
A-8 „Fisch“	450 g	-

Anmerkung:

Der Betrieb A-7 ist für die Aufwärmung von 150 g Pizza bestimmt.

Der Betrieb A-8 ist für die Aufwärmung von Fisch bestimmt.

Beispiel: Zubereitung von 300 g Gemüse:

- Öffnen Sie die Tür des Mikrowellenofens, legen Sie die Nahrungsmittel in den Garraum, schließen Sie die Tür zu.
- Wählen Sie den Betrieb der Gemüsezubereitung durch das aufeinanderfolgende Drücken der Taste (13), auf dem Bildschirm werden die Nummer des automatischen Betriebs «A-2» und das Symbol des Betriebs der automatischen Nahrungsmittelzubereitung (28) angezeigt.
- Wählen Sie das notwendige Nahrungsmittelgewicht (300 g), das auf dem Bildschirm angezeigt wird, durch das Drehen des Griffs (17).

- Drücken Sie die Start/Schnellstart-Taste (16) zum Beginn der automatischen Nahrungsmittelzubereitung. Die Zubereitungszeit wird automatisch eingestellt, auf dem Bildschirm werden die Restzeit und das Piktogramm (21) angezeigt.
- Nach der Beendigung der Nahrungsmittelzubereitung schaltet sich der Mikrowellenofen aus, auf dem Bildschirm (10) leuchtet die Aufschrift «End» und ertönen drei Tonsignale.

VIELSTUFIGE ZUBEREITUNG

Dieser Mikrowellenofen lässt die Nahrung in einigen Etappen zubereiten (bis 4 aufeinanderfolgende Etappen).

Anmerkung

- Der Betrieb der automatischen Nahrungsmittelzubereitung kann als eine von den Etappen der Zubereitung nicht eingestellt werden.

DEUTSCH

Zum Beispiel, müssen Sie die Nahrungsmittel im Mikrowellenbetrieb innerhalb von 5 Minuten mit der Leistung 80%, dann sie im Grillbetrieb innerhalb von 7 Minuten zubereiten. Dafür machen Sie folgendes:

1. Öffnen Sie die Tür des Mikrowellenofens, legen Sie die Nahrungsmittel in den Garraum, schließen Sie die Tür zu.
2. Drücken Sie die **Mikrowellen**-Taste (11), ein Tonsignal ertönt, auf dem Bildschirm wird das Symbol des Mikrowellenbetriebs (22) angezeigt, und leuchtet das Piktogramm (23) auf.
3. Zur Wahl des notwendigen Leistungspegels drücken Sie die **Mikrowellen**-Taste (11).
4. Stellen Sie die Zubereitungszeit (Dauer) 5:00 Minuten durch das Drehen des Griffs (17) ein.
5. Wählen Sie den Betrieb «G», indem Sie die **Grill/Kombi/Konvektion**-Taste (12) drücken. Auf dem Bildschirm erscheint das Symbol des Grillbetriebs (26).
6. Stellen Sie die Zubereitungszeit 7:00 Minuten durch das Drehen des Griffs (17) ein. Auf dem Bildschirm wird die eingestellte Zeit angezeigt.
7. Drücken Sie die Start/Schnellstart-Taste (16) zum Beginn der vielstufigen Nahrungsmittelzubereitung.
8. Nach der Beendigung der ersten Etappe der Zubereitung schaltet sich die zweite Etappe der Nahrungsmittelzubereitung ein, dabei werden das Symbol (26) und das Piktogramm (27) auf dem Bildschirm (10) angezeigt, und beginnt das Abzählen der Restzeit der Nahrungsmittelzubereitung im Grillbetrieb.
9. Nach der Beendigung der Nahrungsmittelzubereitung schaltet sich der Mikrowellenofen aus, auf dem Bildschirm (10) leuchtet die Aufschrift «**End**» und ertönen drei Tonsignale.

ZEITVORWAHL DER NAHRUNGSMITTELZUBEREITUNG

1. Stellen Sie das gewünschte Programm der Nahrungsmittelzubereitung ein, um, zum Beispiel, die Nahrungsmittel innerhalb von 7 Minuten mit der Leistung **80%** zu zubereiten:
2. Öffnen Sie die Tür des Mikrowellenofens, legen Sie die Nahrungsmittel in den Garraum, schließen Sie die Tür zu.
3. Wählen Sie die Leistung **80%**, indem Sie die **Mikrowellen**-Taste (11) drücken, auf dem Bildschirm (10) werden die Symbole «**80P**» angezeigt, und leuchten das Symbol (22) und das Piktogramm (23) auf.
4. Stellen Sie die Zubereitungszeit (Dauer) 07:00 Minuten durch das Drehen des Griffs (17) ein.
5. Drücken und halten Sie die **Uhr/Voreinstellung**-Taste (14), die Ziffern der Stunden werden blinken.
6. Stellen Sie die Stunden im Intervall von **0** bis **23** durch das Drehen des Griffs (17) ein.
7. Drücken Sie «**Uhr/Voreinstellung**»-Taste (14) für Bestätigung, die Ziffern der Minuten werden blinken.
8. Stellen Sie die Minuten im Intervall von **0** bis **59** durch das Drehen des Griffs (17) ein.
9. Drücken Sie «**Uhr/Voreinstellung**»-Taste (14) für Bestätigung, dabei hören Sie ein Tonsignal, das Piktogramm (20) wird blinken, und das Symbol (22) und

das Piktogramm (23) werden auf dem Bildschirm leuchten.

10. Nach Erreichung der eingestellten Zeit hören Sie ein Tonsignal, und die Nahrungsmittelzubereitung beginnt.
11. Auf dem Bildschirm wird die Restzeit angezeigt.
12. Nach der Beendigung der Nahrungsmittelzubereitung schaltet sich der Mikrowellenofen aus, auf dem Bildschirm (10) leuchtet die Aufschrift «**End**» und ertönen drei Tonsignale.

Anmerkung

- Die aktuelle Zeit soll vor der Zeitvorbereitung eingestellt werden.
- Um die eingestellte Startzeit der Nahrungsmittelzubereitung zu erfahren, drücken Sie die «**Uhr/Voreinstellung**»-Taste (14), die Startzeit der Zubereitung wird auf dem Bildschirm (10) innerhalb von 2-3 Sekunden angezeigt.

KINDERSCHUTZ

- Einschalten des Kinderschutzes: drücken und halten Sie die **Stop/Abbrechen**-Taste (15) innerhalb von drei Sekunden, ein Tonsignal ertönt, auf dem Bildschirm wird die Aufschrift «**OFF**» angezeigt.
- Abbrechen des Kinderschutzes: im Sperrbetrieb drücken und halten Sie die **Stop/Abbrechen**-Taste (15) innerhalb von drei Sekunden, ein Tonsignal ertönt und die Aufschrift «**OFF**» erlischt.

REINIGUNG UND PFLEGE

- Schalten Sie den Mikrowellenofen vor der Reinigung aus und ziehen Sie den Netzstecker aus der Steckdose heraus.
- Lassen Sie keine Flüssigkeit auf die Bedienungsplatte des Geräts gelangen. Wischen Sie die Bedienungsplatte mit einem weichen, leicht angefeuchteten Tuch, danach trocknen Sie sie ab.
- Halten Sie den Garraum sauber. Falls sich an den Wänden des Mikrowellenofens Reste von Nahrungsmitteln und Flüssigkeitsflecke verbleiben, entfernen Sie diese mit einem feuchten Tuch.
- Beim stark verschmutzten Gehäuse des Mikrowellenofens und Garraum kann ein weiches Waschmittel benutzt werden.
- Es ist nicht gestattet, Abrasivmittel und Drahtbürsten für die Reinigung des Mikrowellenofens von außen und innen zu benutzen.
- Passen Sie auf, dass Wasser oder Reinigungsmittel in die Abdampf- und Lüftungsöffnungen am Deckel des Mikrowellenofens nicht eindringen.
- Es ist verboten, ammoniakhaltige Reinigungsmittel zu benutzen.
- Die Tür des Mikrowellenofens soll immer sauber bleiben. Lassen Sie das Ansammeln von Krümeln zwischen der Tür und der Frontseite des Mikrowellenofens nicht zu, weil dadurch das normale Schließen der Tür verhindert wird.
- Reinigen Sie die Lüftungsöffnungen, wodurch die Luft für die Abkühlung des Mikrowellenofens gelangt, an der hinteren Wand des Gehäuses des Mi-

- krowellenofens von Schmutz und Staub regelmäßig. Sie können den Staubsauger mit einem entsprechenden Aufsatz für die Reinigung der Lüftungsöffnungen benutzen.
- Nehmen Sie die Glasplatte, ihre Halterung und den Rollenring ab und reinigen Sie sie regelmäßig, wischen Sie den Boden des Garraums regelmäßig ab.
 - Waschen Sie die Glasplatte und den Rollenring mit Warmwasser und neutralem Waschmittel ab, danach spülen und trocknen Sie sie ab.
 - Tauchen Sie die geheizte Glasplatte in kaltes Wasser nicht: Temperaturdifferenz kann zum Zerschlagen der Glasplatte führen.
 - Um unangenehme Gerüche im Garraum zu entfernen, stellen Sie eine Tasse Wasser mit zugefügtem Zitronensaft in den Garraum und lassen Sie diese einige Minuten kochen. Wischen Sie die Innenseiten des Mikrowellenofens sorgfältig mit einem weichen Tuch ab.

STÖRUNGEN UND IHRE BESEITIGUNGSMETHODEN

Der Mikrowellenofen stört den Fernseh- und Radioempfang	Es können Störungen für den Fernseh- und Radioempfang während der Nutzung des Mikrowellenofens entstehen. Ähnliche Störungen entstehen während der Nutzung von kleinen Elektrogeräten, wie Mixer, Staubsauger und elektrischer Haartrockner. Es ist normal.
Ansammlung von Dampf an der Tür, der Austritt heißer Luft aus den Lüftungsöffnungen	Während der Nahrungsmittelzubereitung verwandelt sich die darin enthaltene Flüssigkeit in Dampf, er wird aus den Lüftungsöffnungen heraustreten und kann sich an der inneren Seite der Mikrowellenofentür kondensieren und das Beschlagen der Tür hervorrufen. Es ist normal.
Der Mikrowellenofen wurde ohne Nahrungsmittel eingeschaltet	Einschaltung des Mikrowellenofens ohne Nahrungsmittel für kurze Zeit ruft keine Beschädigungen hervor. Prüfen Sie immer das Vorhandensein von Nahrungsmitteln im Mikrowellenofen vor dessen Einschalten.

Störungsbeseitigung

Störung	Mögliche Ursache	Störungsbeseitigung
Der Mikrowellenofen schaltet sich nicht ein.	Der Netzstecker des Netzkabels sitzt undicht in der Steckdose.	Ziehen Sie den Netzstecker aus der Steckdose heraus. Stecken Sie den Netzstecker nach 10 Sekunden in die Steckdose wieder ein.
	Ein Problem mit der Steckdose.	Schalten Sie ein anderes Gerät an dieselbe Steckdose zur Prüfung ein.
Die Aufwärmung fehlt	Die Mikrowellenofentür ist undicht geschlossen	Schließen Sie die Mikrowellenofentür dicht zu.
Fremdgeräusch beim Drehen der Glasplatte während der Nutzung des Mikrowellenofens.	Der Rollenring oder der untere Teil des Garraums sind verschmutzt.	Nehmen Sie die Glasplatte und den Rollenring ab. Waschen Sie den Rollenring und den Boden des Garraums.

TECHNISCHE DATEN UND EIGENSCHAFTEN

Einsatzbedingungen:

Lufttemperatur	von +10° C bis +35° C
Relative Luftfeuchtigkeit	35-80%
Atmosphärendruck	86-106 kPa (650 – 800 mm Hg)

Technische Grunddaten

Stromversorgung	220-240 V ~ 50 Hz
Mikrowellennennleistung	900 W
Nennleistungsaufnahme im Mikrowellenbetrieb	1400 W
Nennleistungsaufnahme im Grillbetrieb	1000 W
Nennleistungsaufnahme im Konvektionbetrieb	1300 W
Nutzwert des Mikrowellenofens (%)	55%
Betriebsfrequenz	2450 ± 49 MHz
Fassungsvermögen des Garraums	28 l
Durchmesser der Glasplatte	315 mm
Ausmaß, max.	518x324x440 mm
Nettogewicht	Ungefähr 17,5 kg

DEUTSCH

Lieferumfang

Mikrowellenofen	1 St.
Glasplatte	1 St.
Rollenring	1 St.
Halterung der Glasplatte	1 St.
Grillgitter	1 St.
Bedienungsanleitung	1 St.
Garantieschein	1 St.
Kochbuch für Mikrowellenofen	1 St.
Einzelverpackung	1 St.

Der Hersteller behält sich das Recht vor, Design und technische Eigenschaften des Geräts ohne Vorbenachrichtigung zu verändern.

Die Nutzungsdauer des Geräts beträgt 5 Jahre

Gewährleistung

Ausführliche Bedingungen der Gewährleistung kann man beim Dealer, der diese Geräte verkauft hat, bekommen. Bei beliebiger Anspruchserhebung soll man während der Laufzeit der vorliegenden Gewährleistung den Check oder die Quittung über den Ankauf vorzulegen.

МИКРОВОЛНОВАЯ ПЕЧЬ

Перед началом эксплуатации устройства внимательно прочитайте настоящую инструкцию по эксплуатации.

При условии чёткого следования всем указаниям инструкции микроволновая печь безупречно прослужит вам многие годы.

Храните данное руководство в легкодоступном месте.

Описание

1. Защёлки дверцы печи
2. Смотровое окно
3. Опора стеклянного поддона
4. Роликовое кольцо
5. Стеклянный поддон
6. Место выхода СВЧ-волн
7. Панель управления
8. Система блокировки дверцы печи
9. Решётка для гриля

Панель управления

10. Дисплей
11. Кнопка «Микроволны»
12. Кнопка «Гриль / Комби / Конвекция»
13. Кнопка «Автоменю»
14. Кнопка «Часы / Предустановка»
15. Кнопка «Стоп / Отмена»
16. Кнопка «Старт / Быстрый старт»
17. Ручка «Авто / Разморозка / Время / Вес / Температура»

Дисплей

18. Буквенно-цифровые символы / индикация текущего времени
19. Символ выбранного веса продукта
20. Пиктограмма текущего времени
21. Пиктограмма режима приготовления
22. Символ микроволнового режима приготовления
23. Пиктограмма уровня мощности
24. Символ режима «Конвекция»
25. Пиктограмма режима «Конвекция»
26. Символ режима «Гриль»
27. Пиктограмма режима «Гриль»
28. Символ режима автоматического приготовления продуктов
29. Символ режима «Разморозка»
30. Пиктограмма режима «Разморозка»
31. Символы температурных режимов

ВНИМАНИЕ!

Для дополнительной защиты целесообразно в электрическую цепь питания кухни установить устройство защитного отключения (УЗО) с номинальным током срабатывания, не превышающим 30 мА; при установке следует обратиться к специалисту.

ПРЕДОСТОРОЖНОСТИ, КОТОРЫЕ НЕОБХОДИМО СОБЛЮДАТЬ, ЧТОБЫ НЕ ПОДВЕРГАТЬСЯ РИСКУ ВОЗДЕЙСТВИЯ МИКРОВОЛНОВОЙ ЭНЕРГИИ

- Запрещается эксплуатация печи с открытой дверцей, так как воздействие микроволнового излучения представляет опасность.
- Не вносите изменений в электрические цепи защитных блокировок дверцы печи.
- Не помещайте какие-либо предметы между корпусом печи и её дверцей, тщательно удаляйте загрязнения или остатки моющего средства с внутренней поверхности дверцы.
- Место выхода СВЧ-волн (6) закрыто слюдяной пластиной, не удаляйте её и следите за её чистотой.
- Не используйте поврежденную печь, особенно важно, чтобы дверца печи должным образом закрывалась.
- Следите за тем, чтобы не было:
 - повреждений дверцы (например, когда она погнута),
 - повреждений шарниров и защёлок (когда они сломаны или ослаблены),
 - повреждений экранирующей решётки с внутренней стороны смотрового окна.
- Регулировка или ремонт печи должны производиться только специалистами авторизованного (уполномоченного) сервисного центра.

ВАЖНЫЕ ПРАВИЛА БЕЗОПАСНОСТИ

ВНИМАНИЕ! При повреждении дверцы или дверных петель печью пользоваться нельзя до устранения неисправности компетентным персоналом!

ВНИМАНИЕ! Все работы по обслуживанию и ремонту прибора, связанные со снятием крышек, обеспечивающих защиту от воздействия микроволновой энергии, должны выполняться только квалифицированными специалистами!

ВНИМАНИЕ! Жидкости и другие продукты нельзя разогревать в плотно закрытых емкостях во избежание взрыва упаковки!

ВНИМАНИЕ! Использование печи детьми без надзора разрешается только в том случае, если им даны соответствующие и понятные инструкции о безопасном пользовании печью и опасностях, которые могут возникнуть при её неправильной эксплуатации!

ВНИМАНИЕ! Во избежание опасности в случае повреждения сетевого шнура его замену необходимо производить в авторизованном (уполномоченном) сервисном центре.

ВНИМАНИЕ! Печь не предназначена для использования детьми и лицами с ограниченными физическими или умственными способностями или при отсутствии у них опыта или знаний, если они не контролируются лицом, ответственным

РУССКИЙ

за их безопасность, и если они не проинструктированы о правилах пользования печью!

ПРЕДУПРЕЖДЕНИЕ: Наружные поверхности печи подвержены нагреву во время работы печи.

ПРЕДУПРЕЖДЕНИЕ: Температура внутренних поверхностей рабочей камеры может быть высокой во время работы устройства.

ВНИМАНИЕ! При работе печи в комбинированном режиме или режиме гриля, запрещается допускать детей близко к печи без надзора взрослых!

МЕРЫ БЕЗОПАСНОСТИ

Перед началом эксплуатации печи внимательно прочитайте настоящую инструкцию по эксплуатации и сохраните её для использования в качестве справочного материала.

Используйте устройство только по его прямому назначению, как изложено в данной инструкции. Неправильное обращение с устройством может привести к его поломке, причинению вреда пользователю или его имуществу.

Во избежание ожогов, поражения электрическим током, пожара, воздействия утечки микроволнового излучения и причинения вреда здоровью соблюдайте нижеследующие рекомендации.

- Перед первым включением печи убедитесь в том, что напряжение в электрической сети соответствует напряжению, указанному на корпусе устройства.
- Используйте микроволновую печь только по её прямому назначению, как изложено в данной инструкции.
- Микроволновая печь предназначена для приготовления пищи и разогрева готовых блюд.
- Не включайте печь без продуктов.

Во избежание риска возгорания в рабочей камере печи соблюдайте нижеследующие правила.

- При разогреве пищи в пластиковой или бумажной упаковке следите за процессом разогрева, чтобы не допустить возгорания упаковки.
- Прежде, чем поместить в печь бумажные или пластиковые пакеты, удалите с них проволочные закрутки (фиксаторы).
- Если произошло возгорание внутри печи, следует немедленно выключить её, отсоединить от электрической сети и оставить дверцу закрытой, чтобы не дать огню распространиться.
- Не используйте рабочую камеру печи для хранения каких-либо предметов, не оставляйте в ней бумагу или продукты.
- Устройство не предназначено для приведения в действие внешним таймером или отдельной системой дистанционного управления.
- Посуду предварительно проверьте на пригодность для использования в микроволновой печи.

- Посуда может сильно нагреваться, получая тепло от готовящихся продуктов, поэтому необходимо пользоваться кухонными рукавицами или прихватками.
- Будьте осторожны, когда вынимаете посуду из печи, так как бурное закипание жидкостей может происходить уже после завершения их разогрева в микроволновой печи.
- Устройство предназначено только для приготовления/разогрева продуктов и напитков. Сушка одежды или подогрев различных предметов бытового обихода может привести к риску повреждения печи, а также к воспламенению предметов, находящихся в печи, и к пожару.
- Запрещается готовить и разогревать в микроволновой печи яйца в скорлупе и яйца, сваренные вкрутую, так как они могут взорваться из-за повышения внутреннего давления.
- Бутылочки для кормления и банки с детским питанием следует помещать в печь без крышек и сосок. Содержимое следует перемешивать или периодически встряхивать. Перед кормлением ребенка необходимо проверить температуру содержимого баночки или бутылочки, чтобы не допустить ожогов.
- Никогда не оставляйте работающее устройство без присмотра.
- Из соображений безопасности детей не оставляйте полиэтиленовые пакеты, используемые в качестве упаковки, без надзора.
- **Внимание!** Не разрешайте детям играть с полиэтиленовыми пакетами или упаковочной пленкой. **Опасность удушья!**
- Будьте особенно внимательны, если рядом с работающим устройством находятся дети или лица с ограниченными возможностями.
- Устройство не предназначено для использования детьми и людьми с ограниченными возможностями. В исключительных ситуациях лицо, отвечающее за их безопасность, должно дать соответствующие и понятные инструкции о безопасном пользовании устройством и тех опасностях, которые могут возникать при его неправильном использовании.
- Не закрывайте вентиляционные отверстия на корпусе микроволновой печи.
- Не размещайте микроволновую печь внутри кухонных ящиков, шкафов и на полках, не обеспечивающих должную вентиляцию.
- Не погружайте сетевой шнур и вилку сетевого шнура в воду или в любые другие жидкости.
- Избегайте контакта сетевого шнура и вилки сетевого шнура с горячими поверхностями и острыми кромками мебели.
- При отсоединении вилки сетевого шнура от электрической розетки держитесь за вилку сетевого шнура, а не за сетевой шнур.
- Не беритесь за вилку сетевого шнура мокрыми руками, это может привести к поражению электрическим током.

- Не используйте микроволновую печь, если поврежден сетевой шнур или вилка сетевого шнура, если печь работает с перебоями, а также после её падения.
- Во избежание поражения электрическим током запрещается самостоятельно разбирать и ремонтировать печь, при обнаружении неисправности обращайтесь только в авторизованный (уполномоченный) сервисный центр.

УСТРОЙСТВО ПРЕДНАЗНАЧЕНО ТОЛЬКО ДЛЯ БЫТОВОГО ИСПОЛЬЗОВАНИЯ

УКАЗАНИЯ ПО ЗАЗЕМЛЕНИЮ ПЕЧИ

- Микроволновая печь должна быть надежно заземлена. В случае какого-либо внутреннего замыкания заземление снижает риск получения удара электротоком, так как ток уйдет по заземляющему проводу. В микроволновой печи используются сетевой шнур с заземляющим проводом и сетевая вилка, оснащенная контактом заземления.
- Вилка подключается к сетевой розетке, которая также должна иметь контакт заземления.

Предупреждение:

- Использование сетевой вилки с контактом заземления, включенной в розетку без контакта заземления, может привести к риску получения удара электротоком.
- Проконсультируйтесь с квалифицированным электриком, если вам нужны инструкции по заземлению печи или существуют сомнения, что микроволновая печь надежно заземлена.
- В целях предотвращения запутывания сетевого шнура микроволновая печь снабжена коротким сетевым шнуром.
- При необходимости использования удлинителя используйте только 3-проводной удлинитель с контактом заземления на сетевой вилке и с контактом заземления в электрической розетке.
- Маркировка сечения проводов сетевого шнура микроволновой печи и маркировка на сетевом шнуре удлинителя должны совпадать.
- Сетевой шнур удлинителя не должен свисать с краев стола, где за него могут потянуть дети, он должен быть проложен таким образом, чтобы исключить хождение по нему.

ОБЩИЕ ПРАВИЛА ПРИГОТОВЛЕНИЯ ПРОДУКТОВ В СВЧ-ПЕЧАХ

ПРЕДУПРЕЖДЕНИЕ: *Перед разогревом или приготовлением продуктов в герметичной или вакуумной упаковке не забудьте вскрыть её. В противном случае в упаковке создастся давление, которое может её разорвать.*

- Запрещается готовить и разогревать в микроволновой печи яйца в скорлупе и яйца, сваренные вкрутую, так как они могут взорваться из-за повышения внутреннего давления. Толстую кожуру продуктов (например, картофеля, кабачков

или яблок) перед приготовлением следует прокалывать в нескольких местах.

- Бутылочки для кормления и банки с детским питанием следует помещать в печь без крышек и сосок. Содержимое нужно перемешивать или периодически встряхивать. Перед кормлением необходимо проверить температуру содержимого, чтобы не допустить ожогов.
- При приготовлении бекона не кладите его непосредственно на стеклянный поддон, местный перегрев стеклянного поддона может привести к появлению в нём трещин.
- Во время приготовления продуктов используйте посуду, предназначенную для микроволновых печей, и устанавливайте её на стеклянный поддон.
- Для равномерного прогрева продуктов помещайте более толстые куски продуктов ближе к краям посуды.
- Следите за продолжительностью приготовления продуктов. Установите наименьшую продолжительность приготовления продуктов, при необходимости можно увеличить время приготовления.
- Не превышайте продолжительность приготовления продуктов, так как это может привести к их возгоранию.
- Готовьте продукты под крышкой, пригодной для использования в микроволновых печах. Крышка предотвратит разбрызгивание сока или жира и поможет продуктам готовиться равномерно.
- Для ускорения процесса приготовления один раз переверните продукты быстрого приготовления, например, гамбургеры. Большие куски мяса следует переворачивать в процессе приготовления как минимум дважды.
- В процессе приготовления перемешивайте продукты, перемещая их сверху вниз и от центра к краям посуды.

РЕКОМЕНДАЦИИ ПО ВЫБОРУ ПОСУДЫ

- Идеальный материал посуды для микроволновых печей должен быть «прозрачным» для микроволн, это позволяет их энергии проходить через посуду и разогревать продукты.
- Микроволны не могут проникать сквозь металл, поэтому металлическую посуду или блюда с металлической отделкой использовать в СВЧ-печи запрещается.
- Нельзя помещать в печь предметы, изготовленные из повторно используемой бумаги, так как она может содержать вкрапления металла, которые могут стать причиной возгорания упаковки.
- Круглые и овальные блюда предпочтительнее для использования в микроволновой печи, чем прямоугольные.
- Не используйте посуду со сколами и трещинами.

РУССКИЙ

Материалы и посуда, пригодные для использования в микроволновой печи

Посуда для жарки	Следуйте указаниям производителя. Дно посуды для жарки должно быть, на 5 мм толще, чем у стеклянного поддона. Неправильное использование посуды для жарки может привести к появлению трещин в самой посуде и в стеклянном поддоне.
Обеденная посуда	Можно использовать только ту обеденную посуду, которая имеет соответствующую маркировку. Следуйте указаниям производителя посуды. Не используйте посуду с трещинами или сколами.
Стеклянные ёмкости	Можно использовать только те стеклянные ёмкости, которые изготовлены из жаропрочного стекла. Убедитесь в отсутствии металлических ободков. Не используйте ёмкости с трещинами или сколами.
Стеклопосуда	Можно использовать только такую стеклопосуду, которая изготовлена из жаропрочного стекла. Убедитесь в отсутствии металлических ободков. Не используйте посуду с трещинами или сколами.
Специальные мешки для приготовления продуктов в микроволновой печи	Следуйте указаниям производителя. Не закрывайте мешки, используя металлические закрутки или перетяжки. В мешках необходимо сделать несколько отверстий для выхода пара.
Бумажные тарелки и чашки	Бумажные тарелки и чашки можно использовать только для кратковременного приготовления/разогревания. Не оставляйте микроволновую печь без присмотра во время приготовления/разогревания продуктов в такой посуде.
Бумажные полотенца	Бумажными полотенцами можно накрыть приготовляемые продукты для удержания в них тепла и для предотвращения разбрызгивания жира. Используйте бумажные полотенца только при постоянном контроле и только для кратковременного приготовления/подогрева.
Пергаментная бумага	Пергаментная бумага используется в целях предотвращения разбрызгивания жира или в качестве обёртки.
Пластик	Использовать можно только те изделия из пластика, которые имеют соответствующую маркировку: “Пригодно для микроволновой печи”. Следуйте указаниям производителя. Некоторые пластиковые ёмкости могут размягчиться в результате нагрева содержащихся в них продуктов. Герметично закрытые пластиковые пакеты необходимо проколоть или прорезать, как указано на самих упаковках.
Пластиковая обёртка	Использовать можно только те изделия из пластика, которые имеют соответствующую маркировку.
Восковая бумага	Восковая бумага используется для предотвращения разбрызгивания жира, а также для сохранения влаги.

Материалы и посуда, непригодные для использования в микроволновой печи

Алюминиевые подносы и фольга	Алюминиевые подносы и фольга могут вызвать искрение. Пользуйтесь посудой, специально предназначенной для использования в микроволновой печи.
Картонная чашка с металлической ручкой	Картонная чашка с металлической ручкой может вызвать искрение. Пользуйтесь посудой, специально предназначенной для использования в микроволновой печи.
Посуда металлическая или посуда с металлическим ободом	Металл экранирует энергию микроволн. Металлический обод может вызвать искрение.
Металлические закрутки	Металлические закрутки могут вызвать искрение или возгорание упаковки во время приготовления/разогрева продуктов.
Бумажные пакеты	Бумажные пакеты могут вызвать возгорание в микроволновой печи.
Мыло	Мыло может расплавиться и вызвать загрязнение рабочей камеры микроволновой печи.
Дерево	Деревянная посуда может высохнуть, растрескаться и воспламениться.

ПРОВЕРКА ПОСУДЫ ПЕРЕД ИСПОЛЬЗОВАНИЕМ ЕЁ В СВЧ-ПЕЧИ

- Установите испытуемую посуду в рабочую камеру печи (например, тарелку), поставьте на нее стеклянный стакан с холодной водой.
- Включите микроволновую печь на максимальную мощность и установите время работы не более 1 минуты.
- Аккуратно дотроньтесь до испытуемой посуды, если она нагрелась, а вода в стакане холодная, то использовать такую посуду для приготовления продуктов в микроволновой печи нельзя.
- Избегайте превышения времени испытания более 1 минуты.

СБОРКА МИКРОВОЛНОВОЙ ПЕЧИ

После хранения микроволновой печи при низких температурах или после транспортирования печи в зимних условиях включать её можно не раньше, чем через 2 часа пребывания при комнатной температуре в распакованном виде.

- Удалите упаковочный материал и аксессуары из рабочей камеры печи.
- Осмотрите микроволновую печь на предмет каких-либо повреждений. Особое внимание уделите исправности дверцы печи. Если вы обнаружили какую-либо неисправность, не устанавливайте и не включайте микроволновую печь.

Защитное покрытие

Корпус: Если на корпусе имеется защитная плёнка, удалите её с поверхности корпуса.

Не удаляйте светло-серую слюдяную пластину внутри рабочей камеры в месте выхода СВЧ-волн (6), служащую для защиты магнетрона.

Установка стеклянного поддона

- Установите опору стеклянного поддона (3) в отверстие, расположенное в днище рабочей камеры.
- Установите ролик-кольцо (4) на днище рабочей камеры.
- Аккуратно установите стеклянный поддон (5) на ролик-кольцо (4), совместив выступы на нем с пазами опоры (3).
- Никогда не устанавливайте стеклянный поддон нижней частью вверх.
- Не препятствуйте вращению стеклянного поддона во время работы печи.
- Во время приготовления продуктов всегда используйте стеклянный поддон (5), опору (3) и ролик-кольцо (4).
- Посуду для приготовления продуктов всегда необходимо ставить только на стеклянный поддон (5).
- Стеклянный поддон (5) может вращаться по часовой или против часовой стрелке.

- При возникновении трещин или сколов на стеклянном поддоне (5) немедленно прекратите пользоваться печью и замените поддон.

ЭКСПЛУАТАЦИЯ

Перед включением печи убедитесь в том, что напряжение электрической сети соответствует напряжению, указанному на корпусе устройства.

УСТАНОВКА ТЕКУЩЕГО ВРЕМЕНИ

При включении микроволновой печи в сеть загорится дисплей (10), прозвучит звуковой сигнал, и на дисплее отобразятся мигающие разделительные точки «:». Вы можете установить время в диапазоне **0:00 - 23:59**.

1. Нажмите кнопку (14) «**Часы/Предустановка**», на дисплее отобразятся мигающие цифры «0:» и загорится пиктограмма (20).
2. Поворотом ручки (17), установите цифровое значение часов.
3. Нажмите кнопку (14) «**Часы/Предустановка**», на дисплее отобразятся мигающие цифры «:00».
4. Поворотом ручки (17), установите цифровое значение минут.
5. Нажмите кнопку (14) «**Часы/Предустановка**», чтобы закончить установку времени. Прозвучит 1 звуковой сигнал, на дисплее отобразится заданное время, пиктограмма (20) будет гореть и разделительные точки «:» будут мигать.

Примечание

- Если после включения микроволновой печи в электрическую сеть цифровые значения времени не введены, то текущее время не будет отображаться на дисплее (10).
- Если после нажатия кнопки (14), не предпринимать никаких действий, то по истечении 10 секунд на дисплее автоматически установятся показания «0:00».

ПРИГОТОВЛЕНИЕ ПРОДУКТОВ В МИКРОВОЛНОВОМ РЕЖИМЕ

Выберите уровень мощности микроволновой печи и установите время работы.

1. Откройте дверцу печи, поместите продукты в рабочую камеру, закройте дверцу.
2. Нажмите кнопку (11) «**Микроволны**», прозвучит звуковой сигнал, на дисплее появятся символ микроволнового режима приготовления (22) и загорится пиктограмма (23).

Табл. 1

Количество нажатий	Изображение на дисплее	Мощность печи
1	100P	100%
2	80P	80%
3	60P	60%
4	40P	40%
5	20P	20%

РУССКИЙ

- Для выбора необходимого уровня мощности нажимайте кнопку (11) «Микроволны». На дисплее будут отображаться следующие режимы мощности:
- Поворотом ручки (17) установите продолжительность приготовления продуктов. На дисплее (10) отобразится устанавливаемая продолжительность приготовления.

Примечание

- Вы можете установить продолжительность приготовления в диапазоне «0:10-60:00» с шагом, указанным в таблице.

Табл. 2

Интервал времени	Шаг установки времени
0-5 мин	10 сек
5-10 мин	30 сек
10-60 мин	1 мин

- Нажмите на кнопку (16) «Старт/Быстрый старт», чтобы начать приготовление продуктов, на дисплее (10) начнется отсчет оставшегося времени и загорится пиктограмма (21).
- По окончании процесса приготовления продуктов печь отключится, на дисплее (10) загорится надпись «End» и прозвучат три звуковых сигнала.
- После приготовления продуктов откройте дверцу печи и извлеките готовые продукты.

Примечание

- Во время приготовления продуктов можно изменить время приготовления поворотом ручки (17) или повторными нажатиями кнопки (16). Шаг установки указан в таблице 2.
- Готовность продукта можно проверить, открыв дверцу печи. Если продукт не готов, закройте дверцу и нажмите на кнопку (16) «Старт/Быстрый старт» для продолжения приготовления продукта.

РЕЖИМ БЫСТРОГО ПРИГОТОВЛЕНИЯ ПРОДУКТОВ

- Откройте дверцу печи, поместите продукты в рабочую камеру и закройте дверцу.
- Нажмите на кнопку (16) «Старт/Быстрый старт» для начала приготовления на полной мощности в течение 1 минуты.

Примечание: Время приготовления продуктов можно изменить поворотом ручки (17) или повторными нажатиями кнопки (16), с шагом, указанным в таблице 2.

- По окончании процесса приготовления продуктов печь отключится, на дисплее (10) загорится надпись «End» и прозвучат три звуковых сигнала.
- После приготовления продуктов откройте дверцу печи и извлеките готовые продукты.

ПРИГОТОВЛЕНИЕ ПРОДУКТОВ В РЕЖИМЕ «КОНВЕКЦИЯ»

- Откройте дверцу печи, поместите продукты в рабочую камеру, закройте дверцу.

Примечание

- При необходимости используйте решётку для гриля (9), установив её на стеклянный поддон (5).
- Нажимая кнопку (12) «Гриль/Комби/Конвекция» выберите режим конвекции «С». На дисплее появится символ режима конвекции (24).
 - Поворотом ручки (17) установите температуру нагрева. На дисплее (10) отобразится символ одного из температурных режимов (31).

Примечание

- В режиме «Конвекция» доступны следующие значения температуры нагрева: 100, 140, 180, 200 и 230 оС.
- Нажмите на кнопку (16) «Старт/Быстрый старт», на дисплее появится надпись «Pr-H».
 - Поворотом ручки (17) установите время приготовления. На дисплее (10) отобразится устанавливаемое время.

Примечание: Когда на дисплее горит индикация «Pr-H», повторное нажатие кнопки (16) «Старт/Быстрый старт» активирует режим приготовления в течение 15 минут.

- Нажмите на кнопку (16) «Старт/Быстрый старт», чтобы начать приготовление продуктов, на дисплее (10) начнется отсчет оставшегося времени, загорится пиктограмма (25) и отобразятся символы температурных режимов (31).
- По окончании режима приготовления продуктов печь отключится, на дисплее (10) загорится надпись «End» и прозвучат три звуковых сигнала.

ПРИГОТОВЛЕНИЕ ПРОДУКТОВ В РЕЖИМЕ «КОНВЕКЦИЯ/КОМБИ»

- Откройте дверцу печи, поместите продукты в рабочую камеру, закройте дверцу.
- Последовательно нажимая кнопку (12) «Гриль/Комби/Конвекция», выберите один из двух из режимов комбинированного приготовления. На дисплее отобразятся выбранный вами режим «С-1» или «С-2» и символы (22) и (24).
- Поворотом ручки (17) установите температуру нагрева. На дисплее (10) отобразится символ одного из температурных режимов (31).

Варианты комбинированного приготовления

Табл. 3

Режим	Микроволны	Конвекция	Температура нагрева, °С
С -1	30%	70%	100, 140, 180
С -2	55%	45%	100, 140, 180

- Нажмите на кнопку (16) «Старт/Быстрый старт», на дисплее появится надпись «Pr-H».
- Поворотом ручки (17) установите время приготовления. На дисплее (10) отобразится устанавливаемое время.

Примечание: Когда на дисплее горит индикация «Pr-H», повторное нажатие кнопки (16) «Старт/

Быстрый старт» активирует режим приготовления в течение 15 минут.

- Нажмите на кнопку (16) «Старт/Быстрый старт», чтобы начать приготовление продуктов, на дисплее (10) начнется отсчет оставшегося времени, загорится пиктограмма (25) и символы температурных режимов (31).
- По окончании режима приготовления продуктов печь отключится, на дисплее (10) загорится надпись «End» и прозвучат три звуковых сигнала.

Примечание

- Для получения наилучшего эффекта продукты следует переворачивать в процессе приготовления.
- Откройте дверцу, переверните продукты, закройте дверцу и нажмите на кнопку (16) «Старт/Быстрый старт» для продолжения приготовления продуктов.

ПРИГОТОВЛЕНИЕ ПРОДУКТОВ В РЕЖИМЕ «ГРИЛЬ»

- Откройте дверцу печи, поместите продукты в рабочую камеру, закройте дверцу.

Примечание

- При необходимости используйте решётку для гриля (9), установив её на стеклянный поддон (5).
- Нажимая кнопку (12) «Гриль/Комби/Конвекция», выберите режим «G». На дисплее появится символ режима «Гриль» (26).
 - Установите время приготовления, поворачивая ручку (17). На дисплее отобразится устанавливаемое время.
 - Нажмите кнопку (16) «Старт/Быстрый старт», чтобы начать приготовление, на дисплее начнется отсчет оставшегося времени и загорится пиктограмма режима «Гриль» (27).
 - По окончании режима приготовления продуктов печь отключится, на дисплее (10) загорится надпись «End» и прозвучат три звуковых сигнала.

Примечание

- Для получения наилучшего эффекта гриля продукты следует переворачивать в процессе приготовления.
- Откройте дверцу, переверните продукты, закройте дверцу и нажмите на кнопку (16) «Старт/Быстрый старт» для продолжения приготовления продуктов. Но вы можете и не переворачивать продукты.

ПРИГОТОВЛЕНИЕ ПРОДУКТОВ В РЕЖИМЕ «ГРИЛЬ/КОМБИ»

- Откройте дверцу печи, поместите продукты в рабочую камеру и закройте дверцу.
- Последовательно нажимая кнопку (12) «Гриль/Комби/Конвекция», выберите один из двух из режимов комбинированного приготовления. На дисплее отобразятся выбранный вами режим «G-1» или «G-2» и символы (22) и (26).

Варианты комбинированного приготовления Табл. 4

Режим	Мощность печи	Мощность гриля
G - 1	30%	70%
G - 2	55%	45%

- Поворотом ручки (17) установите время приготовления. На дисплее отобразится устанавливаемое время.
- Нажмите кнопку (16) «Старт/Быстрый старт», чтобы начать приготовление, на дисплее начнется отсчет оставшегося времени и загорится пиктограмма режима приготовления (21).
- По окончании режима приготовления продуктов печь отключится, на дисплее (10) загорится надпись «End» и прозвучат три звуковых сигнала.

Примечание

- Для получения наилучшего эффекта продукты следует переворачивать в процессе приготовления.
- Откройте дверцу, переверните продукты, закройте дверцу и нажмите на кнопку (16) «Старт/Быстрый старт» для продолжения приготовления продуктов.

ВНИМАНИЕ! В режимах «гриль/комби» (G1 и G2), и в режимах «конвекция/комби» (C1 и C2) запрещается использовать решётку для гриля (9).

РАЗМОРАЖИВАНИЕ ПРОДУКТОВ ПО ВЕСУ

Откройте дверцу печи, поместите продукты в рабочую камеру, закройте дверцу.

- Поворачивая ручку (17), выберите один из трех режимов разморозки, на дисплее появятся символы (28) и (29).

Режимы разморозки

Табл. 5

Режим	Продукт	Вес, кг
d-1	мясо	От 0,1 до 2,0
d-2	птица	От 0,2 до 3,0
d-3	морепродукты	От 0,1 до 0,9

- Нажмите кнопку (16) «Старт/Быстрый старт» для подтверждения выбора режима разморозки, на дисплее появится пиктограмма (19).
- Установите вес продуктов, поворачивая ручку (17). Вы можете ввести вес продуктов в зависимости от выбранного режима разморозки.
- Нажмите кнопку (16) «Старт/Быстрый старт» для начала процесса размораживания продуктов. На дисплее начнется отсчет оставшегося времени и загорится пиктограмма режима разморозки (30).
- По окончании режима приготовления продуктов печь отключится, на дисплее (10) загорится надпись «End» и прозвучат три звуковых сигнала.

РУССКИЙ

РЕЖИМЫ АВТОМАТИЧЕСКОГО ПРИГОТОВЛЕНИЯ

Вы можете выбрать один из следующих автоматических режимов, установив соответствующий режим, последовательно нажимая на кнопку (13):

Табл. 6

Меню	Вес продукта	Показания дисплея
A-1 «Макароны»	100 г (и 300 мл холодной воды)	0,1
	200 г (и 600 мл холодной воды)	0,2
	300 г (и 900 мл холодной воды)	0,3
A-2 «Овощи»	200 г	0,2
	300 г	0,3
	400 г	0,4
	500 г	0,5
	600 г	0,6
	700 г	0,7
	800 г	0,8
A-3 «Замороженные овощи»	200 г	0,2
	300 г	0,3
	400 г	0,4
	500 г	0,5
	600 г	0,6
	700 г	0,7
A-4 «Попкорн»	80 г	3
	100 г	3,5
A-5 «Напитки»	250 мл	250
	500 мл	500
A-6 «Картофель»	450 г	0,45
	650 г	0,65
A-7 «Пицца»	150 г	-
A-8 «Рыба»	450 г	-

Примечание:

Режим A-7 предназначен для разогрева 150 г пиццы.

Режим A-8 предназначен для приготовления рыбы.

Пример: приготовить овощи весом 300 г:

1. Откройте дверцу печи, поместите продукты в рабочую камеру, закройте дверцу.
2. Последовательными нажатиями кнопки (13) выберите режим приготовления овощей, на дисплее отобразится номер автоматического режима «A-2» и символ режима автоматического приготовления продуктов (28).
3. Поворотом ручки (17) выберите нужный вес продуктов (300 г), который отобразится на дисплее.
4. Нажмите кнопку (16) «Старт/Быстрый старт» для начала автоматического приготовления продуктов. Время приготовления будет задано автоматически, на дисплее будут отображаться оставшееся время приготовления и пиктограмма (21).
5. По окончании режима приготовления продуктов печь отключится, на дисплее (10) загорится надпись «End» и прозвучат три звуковых сигнала.

МНОГОЭТАПНОЕ ПРИГОТОВЛЕНИЕ

Данная печь позволяет готовить пищу в несколько этапов (до 4 последовательных этапов).

Примечание

- Автоматический режим приготовления не может быть установлен в качестве одного из этапов приготовления.

Например, вам необходимо приготовить продукты в микроволновом режиме с мощностью 80% в течение 5 минут, а затем приготовить их в режиме «Гриль» в течение 7 минут. Для этого сделайте следующее:

1. Откройте дверцу печи, поместите продукты в рабочую камеру, закройте дверцу.
2. Нажмите кнопку (11) «Микроволны», прозвучит звуковой сигнал, на дисплее появится символ микроволнового режима приготовления (22) и загорится пиктограмма (23).
3. Для выбора необходимого уровня мощности нажимайте кнопку (11) «Микроволны».
4. Поворачивая ручку (17), установите время (продолжительность) 5:00 минут.

- Нажимая кнопку (12) «Гриль/Комби/Конвекция» выберите режим «G». На дисплее появится символ режима «Гриль» (26).
- Установите время приготовления 7:00 минут, поворачивая ручку (17). На дисплее отобразится устанавливаемое время.
- Нажмите кнопку (16) «Старт/Быстрый старт», чтобы начать многоэтапное приготовление продуктов.
- По окончании первого этапа приготовления включится второй режим приготовления продуктов, при этом на дисплее (10) будут отображаться символ (26) и пиктограмма (27) и начнется отсчет оставшегося времени приготовления продуктов в режиме «гриль».
- По окончании режима приготовления продуктов печь отключится, на дисплее (10) загорится надпись «End» и прозвучат три звуковых сигнала.

УСТАНОВКА ВРЕМЕНИ НАЧАЛА ПРИГОТОВЛЕНИЯ
Установите желаемую программу приготовления продуктов, например, приготовить продукты в течение 7 минут при мощности 80%:

- Откройте дверцу печи, поместите продукты в рабочую камеру, закройте дверцу.
- Нажмите кнопку (11) «Микроволны», выберите мощность 80%, на дисплее (10) отобразятся символы «80P», загорится символ (22) и пиктограмма (23).
- Поворачивая ручку (17), установите время (продолжительность) 7:00 минут.
- Нажмите и удерживайте кнопку (14) «Часы/Предустановка», цифры часов будут мигать.
- Поворотом ручки (17) установите часы в интервале от 0 до 23.
- Нажмите кнопку (14) «Часы/Предустановка» для подтверждения, цифры минут будут мигать.
- Поворотом ручки (17) установите минуты в интервале от 0 до 59.
- Нажмите на кнопку (14) «Часы/Предустановка» для подтверждения, вы услышите звуковой сигнал, пиктограмма (20) будет мигать, а символ (22) и пиктограмма (23) будут гореть на дисплее.
- По достижении установленного времени вы услышите звуковой сигнал, начнется процесс приготовления продуктов.
- На дисплее будет отображаться оставшееся время приготовления.
- По окончании режима приготовления продуктов печь отключится, на дисплее (10) загорится надпись «End» и прозвучат три звуковых сигнала.

Примечание

- Текущее время должно устанавливаться перед установкой программы начала приготовления продуктов.
- Чтобы узнать установленное время начала приготовления продуктов, нажмите кнопку (14) «Часы/Предустановка», время начала приготовления будет показано на дисплее (10) в течение 2-3 секунд.

ФУНКЦИЯ БЛОКИРОВКИ ОТ ДЕТЕЙ

- Блокировка: нажмите и удерживайте кнопку (15) «Стоп/Отмена» в течение трех секунд, прозвучит звуковой сигнал, на дисплее загорится надпись «OFF»
- Отмена блокировки: в режиме блокировки нажмите и удерживайте кнопку (15) «Стоп/Отмена» в течение трех секунд, прозвучит звуковой сигнал, надпись «OFF» исчезнет.

ЧИСТКА И УХОД

- Перед чисткой выключите печь и извлеките вилку сетевого шнура из электрической розетки.
- Не допускайте попадания влаги на панель управления. Протирайте панель управления мягкой, слегка влажной салфеткой, после чего вытрите насухо.
- Содержите рабочую камеру печи в чистоте. Если на стенках печи остались кусочки продуктов или подтеки жидкости, тщательно удалите их влажной салфеткой.
- При сильном загрязнении корпуса печи и рабочей камеры можно использовать мягкое моющее средство.
- Не пользуйтесь абразивными моющими средствами или проволочными щетками для чистки печи снаружи и внутри рабочей камеры.
- Следите за тем, чтобы вода или моющее средство не попали в отверстия, предназначенные для отвода воздуха и пара, которые находятся на крышке печи.
- Запрещается использовать моющие средства на основе аммиака.
- Дверца печи всегда должна быть чистой. Не допускайте скапливания крошек между дверцей и лицевой панелью печи, так как это препятствует нормальному закрытию дверцы.
- Регулярно очищайте от пыли и грязи вентиляционные отверстия на задней стенке корпуса печи, через которые поступает воздух для её охлаждения. Для чистки вентиляционных отверстий можно воспользоваться пылесосом, применяя соответствующую насадку.
- Регулярно снимайте и очищайте стеклянный поддон, его опору и роликое кольцо; регулярно протирайте дно рабочей камеры печи.
- Стеклянный поддон и роликое кольцо мойте теплой водой с добавлением нейтрального моющего средства, после чего сполосните и просушите.
- Не опускайте горячий стеклянный поддон в холодную воду, из-за резкого перепада температур стеклянный поддон может треснуть.
- Для удаления неприятных запахов в рабочей камере поставьте в печь стакан воды с добавлением лимонного сока и прокипятите её в течение нескольких минут. Тщательно протрите стенки рабочей камеры мягкой салфеткой.

РУССКИЙ

НЕИСПРАВНОСТИ И МЕТОДЫ ИХ УСТРАНЕНИЯ

Микроволновая печь создает помехи приёму теле- и радиосигналов	Во время работы микроволновой печи могут возникать помехи при приеме теле- и радиосигналов. Аналогичные помехи создаются при работе небольших электроприборов, таких как миксер, пылесос и электрический фен. Это нормальное явление.
Скопление пара на дверце, выход горячего воздуха из вентиляционных отверстий	В процессе приготовления продуктов, содержащаяся в них влага превращается в пар, он будет выходить из вентиляционных отверстий, пар может конденсироваться на внутренней стороне дверцы, вызывая её запотевание. Это нормальное явление.
Микроволновая печь включена без загруженных продуктов	Включение микроволновой печи на короткое время без загруженных продуктов не вызовет её поломки. Всегда проверяйте наличие продуктов в рабочей камере печи перед её включением.

Устранение неисправностей

Неисправность	Возможная причина	Способ устранения
Печь не включается.	Вилка сетевого кабеля недостаточно плотно вставлена в электрическую розетку.	Извлеките вилку из электрической розетки. Через 10 секунд вставьте вилку обратно в розетку.
	Проблема с сетевой розеткой.	Для проверки попробуйте включить в ту же розетку другой электроприбор.
Отсутствует нагрев	Неплотно закрыта дверца	Плотно закройте дверцу
Во время работы печи вращающийся стеклянный поддон издает посторонние шумы.	Загрязнено роликое кольцо или нижняя часть рабочей камеры.	Снимите стеклянный поддон и роликое кольцо. Промойте роликое кольцо и днище рабочей камеры.

ТЕХНИЧЕСКИЕ ПАРАМЕТРЫ И ХАРАКТЕРИСТИКИ

Условия эксплуатации:

Температура воздуха	От +10°C до +35°C
Относительная влажность воздуха	35-80%
Атмосферное давление	86-106 кПа (650 – 800 мм ртутного столба)

Основные параметры

Электропитание	220-240 В ~ 50 Гц
Номинальная микроволновая мощность	900 Вт
Номинальная потребляемая мощность в режиме микроволн	1400 Вт
Номинальная потребляемая мощность в режиме гриля	1000 Вт
Номинальная потребляемая мощность в режиме конвекция	1300 Вт
КПД (%) СВЧ:	55%
Рабочая частота	2450 ± 49 МГц
Объём камеры	28 л
Диаметр стеклянного поддона	315 мм
Габаритные размеры, не более	518x324x440 мм
Масса нетто	Приблизительно 17,5 кг

Комплектность

Печь	1 шт.
Стекланный поддон	1 шт.
Роликовое кольцо	1 шт.
Опора стекланный поддона	1 шт.
Решётка для гриля	1 шт.
Инструкция по эксплуатации	1 шт.
Гарантийный талон	1 шт.
Книга рецептов для микроволновой печи	1 шт.
Индивидуальная тара	1 шт.

Производитель сохраняет за собой право изменять дизайн и технические характеристики устройства без предварительного предупреждения.

Срок службы устройства – 5 лет



Данное изделие соответствует всем требуемым европейским и российским стандартам безопасности и гигиены.

Сделано в России

ҚАЗАҚША

МИКРОТОЛҚЫНДЫ ПЕШ

Электр аспабын пайдалану алдында берілген пайдалану бойынша нұсқаулықты зейін қойып оқып шығыңыз.

Нұсқаулықтың барлық нұсқауларын нақты орындаған жағдайда микротолқынды пеш сізге зақ жылдар бойы сізге мүлтіксіз қызмет етеді.

Берілген нұсқаулықты қолжетімді жерде сақтаңыз

Сипаттамасы

1. Пеш есігінің ілгектері
2. Қарайтын саңылау
3. Шыны табақтың тіреуі
4. Шығыршықты сақина
5. Шыны табақ
6. АЖЖ-толқындарының шығу орны
7. Басқару тақтасы
8. Пеш есігін бөгеттеу жүйесі
9. Грильге арналған тор

Басқару тақтасы:

10. Дисплей
11. «Микротолқындар» батырмасы
12. «Гриль / Комби / Конвекция» батырмасы
13. «Автомәзір» батырмасы
14. «Сағат / Алдын-ала белгілеу» батырмасы
15. «Стоп / Болдырмау» батырмасы
16. «Старт / Жылдам старт» батырмасы
17. «Авто / Еріту / Уақыт / Салмақ / Температура» тұтқасы

Дисплей

18. Өріпті-санды таңбалар / ағымдағы уақыт көрсетілімдері
19. Таңдалған салмақ таңбасы
20. Ағымдағы уақыт пиктограммасы
21. Дайындау режимінің пиктограммасы
22. Дайындаудың микротолқынды режимінің таңбасы
23. Қуат деңгейінің пиктограммасы
24. «Конвекция» режимінің таңбасы
25. «Конвекция» режимінің таңбасы
26. «Гриль» режимінің таңбасы
27. «Гриль» режимінің пиктограммасы
28. Тағамдарды автоматты дайындау режимінің таңбасы
29. «Еріту» режимінің таңбасы
30. «Еріту» режимінің пиктограммасы
31. Температуралық режимдер таңбалары

НАЗАР АУДАРЫҢЫЗ!

Қосымша қорғаныс үшін қоректендіру тізбегіне қорғаныс ажыратылу құрылғысын (ҚАҚ) 30 мА-ден аспайтын номиналды іске қосылу тоғымен орнатқан дұрыс. ҚАҚ орнатқан кезде маманға хабарласқан жөн.

МИКРОТОЛҚЫНДЫ ЭНЕРГИЯНЫҢ ӘСЕРІ ТӘУЕКЕЛІНЕ ЖОЛ БЕРМЕУҮШІН САҚТАУҒА ҚАЗЖЕТ САҚТАНДЫРУЛАР

- Микротолқынды пешті ашық есікпен пайдалануға тырыспаңыз, себебі бұл кезде микротолқынды энергияның зиян әсеріне жол беру тәуекелі пайда болады.

- Пеш есігінің қорғаныс бөгеттерінің электрлік тізбектеріне өзгерістер енгізбеңіз.
- Бөтен заттарды микротолқынды пештің есігі мен беткі жағының арасына салмаңыз және тазалағыш заттардың қалдықтарының есіктің ішкі жағында жиналуына жол бермеңіз.
- АЖЖ-толқындардың шығуы (6) шақпақ тіліммен жабылған, оны жоймаңыз және оның тазалығын қадағалаңыз.
- Бүлінген пешті пайдаланбаңыз, әсіресе, пештің есігінің дұрыс жабылуы маңызды.
- Келесі жағдайлардың болмауын қадағалаңыз:
 - есігінің бүлінулері (мысалы, ол қисайған болғанда),
 - топсалары және ілгектерінің бүлінулері (олар сынған немесе босаған болғанда),
 - қарайтын саңылаудың ішкі жағындағы экрандаушы тор бүлінулері.
- Пешті реттеу немесе жөндеу туындыгерлес (өкілетті) қызмет көрсету орталығының мамандарымен жүзеге асырылуы керек.

МАҢЫЗДЫ ҚАУІПСІЗДІК ЕРЕЖЕЛЕРІ

НАЗАР АУДАРЫҢЫЗ! Есіктің немесе есік тығындауышының бүлінулері болғанда, құзыретті мамандар пайда болған ақауды жойғанға дейін пешті пайдалануға болмайды!

НАЗАР АУДАРЫҢЫЗ! Микротолқынды энергияның әсерінен қорғанысты қамтамасыз ететін қақпақтарды шешумен байланысты аспапқа қызмет көрсету және жөндеу бойынша барлық жұмыстар тек білікті мамандармен жүзеге асырылуы керек!

НАЗАР АУДАРЫҢЫЗ! Сұйықтықтарды және басқа тағамдарды атылуға жол бермеу үшін жабық ыдыстарда ысытуға болмайды!

НАЗАР АУДАРЫҢЫЗ! Балаларға пешті қауіпсіз пайдалану және оын дұрыс пайдаланбағанда пайда бола алатын қауіптер туралы сәйкес және түсінікті нұсқаулықтар берілген жағдайда ғана қадағалаусыз пешті пайдалануға рұқсат етіледі!

НАЗАР АУДАРЫҢЫЗ! Қоректендіру бауы бүлінген кезде қауіпке жол бермеу үшін оны айырбастауды туындыгерлес (өкілетті) қызмет көрсету орталығында жасау керек.

НАЗАР АУДАРЫҢЫЗ! Пеш балалардың немесе дене пішіні немесе ақыл-ойы кем тұлғалардың немесе оларда тәжірибе мен білімі болмағанда, олардың қауіпсіздігі үшін жауап беретін тұлғаның бақылауында болмағанда, немесе пешті пайдалану туралы сәйкес нұсқаулықтар алмаған жағдайда олардың пайдалануына арналмаған!

ЕСКЕРТУ: Жұмыс істеу уақытында пештің сыртқы беттері қызға бейім.

ЕСКЕРТУ: Жұмыс камерсының ішкі беттерінің температурасы құрылғының жұмыс істеу уақытында жоғары болуы мүмкін.

НАЗАР АУДАРЫҢЫЗ! Пештің аралас режимде немесе гриль режимінде жұмыс істеуі уақытында

ересектердің қадағалауынсыз балаларды жақын жіберуге тыйым салынады!

ҚАУІПСІЗДІК ШАРАЛАРЫ

Пешті пайдалану алдында берілген пайдалану бойынша нұсқаулық зейін қойып оқып шығыңыз және оны анықтамалық материал ретінде пайдалану үшін сақтап қойыңыз.

Құрылғыны тек оның тікелей міндеті бойынша ғана, берілген нұсқаулықта көрсетілгендей. Құрылғыны дұрыс пайдаланбау оның бұзылуына, пайдаланушыға немесе оның мүлігіне зиян келтіруге әкелуі мүмкін. Күйіктерге, электр тоғымен зақымдануға, өртке, микротолқынды сәулелердің шығуы әсеріне және денсаулыққа зиян келтіруге жол бермеу үшін төменде көрсетілген қауіпсіздік шараларын орындау керек.

- Пешті алғашқы іске қосқанда, электр желісіндегі керену құрылғы корпусында көрсетілген кернеуге сәйкес келетініне көз жеткізіңіз.
- Микротолқынды пешті берілген нұсқаулықта сипатталғандай тек оның тікелей міндеті бойынша ғана пайдаланыңыз.
- Микротолқынды пеш тек қана тамақты ысытуға және пісіруге арналған .
- Пешті тағамдарсыз іске қоспаңыз.

Пештің жұмыс камерасында тұтану тәуекеліне жол бермеу үшін:

- Тамақты пластик немесе қағаз орауда ысытқан кезде ораудың тұтануына жол бермеу үшін ысыту процесін бақылаңыз.
- Пешке қағаз немесе пластик қаптарды салу алдында, сымды бұрымдарды (бекіткіштерді) жойыңыз.
- Егер пештің ішінде тұтану болса, оны дереу сөндіру қажет, желіден ажыратып және оттың тарауына жол бермеу үшін есігін жабық қалдыру керек.
- Пештің жұмыс камерасын қандай да бір заттарды сақтауға пайдаланбаңыз, оның ішінде қағазды немесе тағамдарды қалдырмаңыз.
- Құрылғы сыртқы таймермен немесе жеке қашықтан басқару жүйесімен іске келтіруге арналмаған.
- Ыдыстарды алдын-ала микротолқынды пешке пайдалануға жарамды екенін тексеріңіз.
- Дайындалып жатқан тағамдардан жылулы алып, ыдыс қатты қызуы мүмкін, сондықтан асханалық қолғаптарды немесе ұстауыштарды пайдалану қажет.
- Ыдысты пештен шығарғанда сақ болыңыз, себебі сұйықтықтардың қатты қайнауы оларды микротолқынды пеште ысыту аяқталғаннан кейін болуы мүмкін.
- Құрылғы тек тағамдар мен сусындарды дайындауға/ысытуға арналған. Киімді құрғату және тұрмыстық заттарды қыздыру пештің бүліну тәуекеліне, сонымен қатар пешке салынған заттардың тұтануына, және өртке әкелуі мүмкін.

- Жұмыртқаны қабығында пісіруге немесе қабықта пісірілген жұмыртқаны микротолқынды пеште ысытуға жол бермеңіз, себебі олар ішкі қысымның есуінен атылуы мүмкін.
- Емізуге арналған және балалар тамағы бар банкаларды пешке қақпақсыз және емізкісіз салу керек. Құрамды араластыру және тұрақты шайқау керек. Тамақтандыру алдында, күюге жол бермеу үшін құрамның температурасын тексеру қажет.
- Ешқашан жұмыс істеп тұрған құрылғыны қараусыз қалдырмаңыз.
- Балалардың қауіпсіздігі мақсатында, орау ретінде пайдаланылатын полиэтилен қаптарды қараусыз қалдырмаңыз.
- **Назар аударыңыз! Балаларға полиэтилен қаптармен немесе орайтын үлдірмен ойнауға рұқсат етпеңіз. Тұншығу қаупі бар!**
- Жұмыс істеп құрылғының қасында балалар немесе мүмкіндіктері шектеулі тұлғалар болғанда аса назар болыңыз.
- Құрылығы балалардың және мүмкіндіктері шектеулі адамдардың пайдалануына арналмаған. Ерекше жағдайларда олардың қауіпсіздігі үшін жауап беретін тұлға құрылғыны қауіпсіз пайдалану және оның дұрыс пайдаланбаған кезде пайда бола алатын қауіптер туралы сәйкес және түсінікті нұсқаулықтар беруі керек.
- Микротолқынды пештің корпусындағы жедетіс сәңілауларын жаппаңыз.
- Микротолқынды пешті асханалық жәшіктердің, шкафтардың және қажетті желдетісі қамтамасыз етпейтін сөрелерде орналастырмаңыз.
- Желілік бауды және желілік баудың айыртетігін суға немесе кез-келген басқа сұйықтықтарға матырмаңыз.
- Желілік баудың және желілік баудың айыртетігінің ыстық беттермен және жиһаздың үшкір шеттерімен жанасуына жол бермеңіз.
- Желілік баудың айыртетігін электр ашалығынан суырғанда, желілік баудан емес, желілік баудың айыртегінен ұстаңыз.
- Желілік баудың айыртегінен сулы қолмен ұстамаңыз, бұл электр тоғымен зақымдануға әкелуі мүмкін.
- Егер желілік бау немесе желілік баудың айыртегі бүлінген болса, егер пеш іркілістермен жұмыс істесе, сонымен қатар ол құлағаннан кейін микротолқынды пешті пайдаланбаңыз.
- Электр тоғымен зақымдануға жол бермеу үшін пешті өз бетімен бөлшектеуге және жөндеуге тыйым салынады, ақаулық табылған жағдайда туындыгерлес (өкілетті) қызмет көрсету орталығына ғана хабарласыңыз.

ҚҰРЫЛҒЫ ТЕК ТҰРМЫСТЫҚ ЖАҒДАЙДА ПАЙДАЛАНУҒА АРНАЛҒАН

ПЕШТІ ЖЕРЛЕНДІРУ БОЙЫНША НҰСҚАУЛАР

- Микротолқынды пеш жерлендірілуі керек. Қандай да бір тұйықталу жағдайында жерлендіру

ҚАЗАҚША

электр тоғы соққысы тәуекелін азайтады, себебі жерлендіретін сым арқылы тоқтың кетуі болады. Микротолқынды пеште жерлендіретін сымы бар желілік кабель және жерлендіру түйіспесі бар желілік айыртетік пайдаланылады.

- Айыртетік жерлендіру түйіспесі бар желілік ашалыққа қосылуы керек.

Сақтандыру:

- Жерлендіру түйіспесі бар айыртетікті, жерлендіруі жоқ ашалыққа қосып пайдалану, электр тоғы соққысын алу тәуекеліне әкелуі мүмкін.
- Егер сізге желкіндіру бойынша нұсқаулықтар түсініксіз болса немесе микротолқынды пеш сенімді жерлендірілгеніне күдіктер болса, білікті электрикпен кеңесіңіз.
- Желілік баудың шатасуына жол бермеу мақсатында микротолқынды пеш қысқа желілік баумен жабдықталған.
- Ұзартқышты пайдалану қажет болғанда желілік айыртетігінде және ашалығында жерлендіру түйіспесі бар 3-сымды ұзартқышты пайдаланыңыз.
- Микротолқынды пештің желілік бауы сымдарының қиығының белгілеулері және ұзартқыш бауындағы белгілеулер сәйкес болуы керек.
- Ұзартқыштың желілік бауы сәлдің шеттерінен, одан баулар тарта алатындай етіп салбырамауы керек, және одан жүрмейтіндей етіп өткізілуі керек.

АЖЖ-ПЕШТЕРДЕ АЗЫҚ-ТҮЛІКТІ ДАЙЫНДАУДЫҢ ЖАЛПЫ ЕРЕЖЕЛЕРІ

- **ВАҚТАНДЫРУ:** *Тығыз жабылған немесе сауқуымды ораудағы тағамдарды ысыту немесе пісіру алдында оны ашуға ұмытып кетпеңіз. Кері жағдайда орауда қысым пайда болып, ол оны жарып жеруі мүмкін.*
- Микротолқынды пеште қабықтағы жұмыртқаны және қабықта пісірілген жұмыртқаны пісіруге және ысытуға тыйым салынады, себебі олар ішік қысымның көтерілуінен атылуы мүмкін. Пісіру алдында тағамдардың қалың қабығын (мысалы, картоптың, кәдінің, немесе алмалардың) бірнеше жерден тесіңіз.
- Емізуге арналған бөтелкелерді және балалар тамағы бар банкаларды пешке қақпақсыз және еімсіз салу керек. Құрамды араластыру және мезгілімен шайқау керек. Емізу алдында, күйіктерге жол бермеу үшін құрамның температурасын тексеру қажет.
- Беконды дайындау кезінде оны тікелей шыны табаққа салмаңыз, шыны табақтың бікелкі қызбауы онда жарықтардың пайда болуына әкелуі мүмкін.
- Дайындау уақытында микротолқынды пештерге арналған ыдысты, оны шыны табаққа қойып пайдаланыңыз.
- Азық-түлікті біркелкі дайындау үшін азық-түліктің неғұрлым қалың кесектерін ыдыстың шетіне орналастырыңыз.
- Дайындалу уақытын бақылаңыз. Дайындалудың ең аз уақытын белгілеңіз, және қажет болғанда, тағы қосыңыз.

- Азық-түліктің дайындалу уақытын асырмаңыз, бұл оның тұтануына әкелуі мүмкін.
- Тамақты (АЖЖ пештерге арналған) шыны немесе пластик қақпақтың астында дайындаңыз. Қақпақ шырынның немесе майдың шашырауына жол бермейді және азық-түліктің біркелкі дайындалуына көмектеседі.
- Дайындау процесін тездету үшін тез дайындалатын азық-түлікті (мысалы, тауықты немесе гамбургерлерді) бір рет аударыңыз. Егер еттің кесектері үлкен болса, онда оларды, кем дегенде, дайындау процесінде екі рет аудару керек.
- Азық-түлікті дайындау процесінде, оларды ыдыстың үстінен астына қарай және ортасынан шетіне қарай орнын ауыстырып араластырыңыз.

ЫДЫСТЫ ТАҢДАУ БОЙЫНША ҰСЫНЫСТАР

- Микротолқынды пештерге арналған ыдыс ең жақсы материал микротолқындар үшін «мөлдір» болуы керек, бұл олардың энергияна ыдыс арқылы өтуге және тамақты жылытуға мүмкіндік береді.
- Микротолқындар металл арқылы өте алмайды, сондықтан металл ыдысты немесе металл шеттері бар ыдыстарды АЖЖ-пештерді пайдалануға болмайды.
- Пешке қайта өңделген қағаздан жасалған заттарды салуға болмайды, себебі оның құрамында металл шөгінділері болуы мүмкін, олар ораудың тұтануының себебі болуы мүмкін.
- Дөңгелек және сопақ табақтар төртбұрыштыларға қарағанда микротолқынды пеште пайдалануға тиімдірек.
- Жарықтары мен шытынаулары бар ыдысты пайдаланбаңыз.

АЖЖ-пеште ыдысты пайдалану алдында оны тексеру

- Тексерілетін ыдысты (мысалы, тәрелкені) пештің жұмыс камерасына орнатыңыз, оған суық суы бар шыны стаканды қойыңыз.
- Микротолқынды пешті максималды қуатына қосыңыз және жұмыс істеу уақытын 1 минуттан асырмай белгілеңіз.
- Тексеріліп жатқан ыдысқа абайлап қолыңызды тигізіңіз, егер ол қызса, ал стакандағы су суық болса, онда мұндай ыдысты микротолқынды пеште азық-түлікті дайындау үшін пайдалануға болмайды.
- Тексірілу уақытының 1 минуттан асуына жол бермеңіз.

МИКРОТОЛҚЫНДЫ ПЕШТІ ҚҰРАСТЫРУ

Құрылғы төмен температура жағдайларында сақталса немесе тасымалданса, оны бөлем температурасында 2 сағаттан кем емес уақыт бойы ұстау керек.

- Пештің жұмыс камерасынан орайтын материалдар мен жабдықтарды алыңыз.

Микротолқынды пеште пайдалануға жарамды материалдар мен ыдыстар

Қуыруға арналған ыдыс	Өндіруші көрсетілімдерін орындаңыз. Қуыруға арналған ыдыстың түбі айналатын шыны табақтан 5 мм қалыңырақ болуы керек. Қуыруға арналған ыдысты дұрыс пайдаланбау ыдыстың өзінде және айналатын шыны табақта жарықтардың пайда болуына әкелуі мүмкін.
Түскі тамақ ыдысы	Ыдыстың сәйкес белгілеулері болуы керек. Ыдыс өндірушінің көрсетілімдерін орындаңыз. Жарықтары және шытынаулары бар ыдысты пайдаланбаңыз.
Шыны ыдыстар	Ыстыққа төзімді шыныдан жасалған ыдыстар ғана. Металл сақиналардың жоқ екеніне көз жеткізіңіз. Жарықтары мен шытынаулары бар ыдыстарды пайдаланбаңыз.
Шыны-аяқ	Ыстыққа төзімді шыныдан жасалған ыдыстар ғана. Металл сақиналардың жоқ екеніне көз жеткізіңіз. Жарықтары мен шытынаулары бар ыдыстарды пайдаланбаңыз.
Арнайы қаптарды пайдаланып микротолқынды пеште дайындау процесі	Өндірушінің көрсетілімдерін орындаңыз. Қаптарды металл бұрмалармен немесе тартпалармен жаппаңыз. Қаптарға буды шағыру үшін бірнеше саңылау жасау керек.
Қағаз тарелкелер мен тостағандар	Қағаз тарелкелер мен тостағандарды қысқа мерзімді пісіру/ысытуға пайдаланыңыз. Мұндай ыдыста тамақты пісіру/ысыту кезінде микротолқынды пешті қараусыз қалдырмаңыз.
Қағаз сүлгілер	Тағамдарды дайындау уақытында оларда жылуды ұстау үшін және майдың шашырауына жол бермеу үшін қағаз сүлгімен жабуға болады. Тек тұрақты бақылаумен және қысқа мерзімді пісіру/ысыту үшін пайдаланыңыз.
Пергаментті қағаз	Пергаментті қағаз майдың шашырауына жол бермеу үшін немесе орау ретінде пайдаланыңыз.
Пластик	Сәйкес белгілеулері бар пластиктен жасалған бұйымдарды ғана пайдалануға болады: "Микротолқынды пешке жарамды". Өндіруші көрсетілімдерін орындаңыз. Кейбір пластик ыдыстар олардың ішіндегі тағамдардың қызуынан жұсаруы мүмкін. Тығыз жабылған пластик қаптарды, ораулардың өзінде көрсетілгендей тесу немесе кесу қажет.
Пластик орау	Сәйкес белгілеулері бар пластиктен жасалған бұйымдарды ғана пайдалануға болады.
Балауыз қағаз	Балауыз қағаз майдың шашырауына жол бермеу үшін, сонымен қатар ылғалды сақтау үшін пайдаланыңыз.

Микротолқынды пеште пайдалануға жарамсыз материалдар мен ыдыстар

Алюминий табақтар мен қаңылтыр	Алюминий табақтар мен қаңылтыр жарқырау тудыруы мүмкін. Микротолқынды пеште пайдалануға арнайы арналған ыдысты пайдаланыңыз.
Металл сабы бар картон тостаған	Металл сабы бар картон тостаған жарқырау тудыруы мүмкін. Микротолқынды пеште пайдалануға арнайы арналған ыдысты пайдаланыңыз.
Металл ыдыс немесе металл сақинасы бар ыдыс	Металл микротолқындар энергиясын экрандайды. Металл сақина жарқырау тудыруы мүмкін.
Металл орауыштар	Металл орауыштар жарқырау тудыруы мүмкін, сонымен қатар тағамдарды пісіру/ысыту уақытында ораудың жануын тудыруы мүмкін.
Қағаз қаптар	Қағаз қаптар микротолқынды пеште тұтануды тудыруы мүмкін.
Сабын	Сабын еруі және микротолқынды пештің жұмыс камерсының ластануын тудыруы мүмкін.
Ағаш	Ағаш ыдыс кебуі, шытынауы және тұтануы мүмкін.

ҚАЗАҚША

- Микротолқынды пешті бүлінудердің болуына тексеріңіз. Пеш есігінің дұрыстығына ерекше назар аударыңыз. Егер сіз қандай да бір ақаулықты тапсаңыз, микротолқынды пешті орнатпаңыз және іске қоспаңыз.

Қорғаныс қаптау

Корпусы: егер қорғаныс қаптау болса, оны корпустың бетінен жойыңыз.

Жұмыс камерасы ішіндегі АЖЖ толқындары шығатын жерден (6), магнетронды қорғауға арналған ақшыл сұр шақпақ тасты тілімді жоймаңыз.

Шыны тостағанды орнату

- Шыны табақтың тіреуін (3) жұмыс камерасының түбінде орналасқан саңылауға орнатыңыз.
- Шығыршықты сақинаны (4) жұмыс камерасының түбіне орнатыңыз.
- Абайлап шыны табақты (5) шығыршықты сақинаға (4), ондағы шығыңқыларды тіреудегі (3) ойықтармен сәйкестендіріп орнатыңыз.
- Ешқашан шыны табақты жоғары жағымен төмен салмаңыз.
- Пештің жұмыс істеуі уақытында шыны табақтың айналуын бөгеттемеңіз.
- Азық-түлікті дайындағанда әрқашан шыны табақты (5), шығыршықты сақинаны (4) және шыны табақтың тіреуін (3) пайдаланыңыз.
- Азық-түлікті дайындауға арналған ыдысты әрқашан тек шыны табаққа (5) орнату қажет.
- Шыны табақ (5) сағат тілі бойынша немесе қарсы айналуы мүмкін.
- Шыны табақта (5) жарықтар немесе нақыстар пайда болса, пешті пайдаланбаңыз және табақты айырбастаңыз.

ПАЙДАЛАНУ

Пешті іске қосу алдында электр желісіндегі кернеу құрылғы корпусында көрсетілген кернеуге сәйкес келетініне көз жеткізіңіз.

АҒЫМДАҒЫ УАҚЫТТЫ БЕЛГІЛЕУ

Микротолқынды пешті желіге қосқанда дисплей (10) жанады, дыбыстық сигнал шығады, және дисплейде жынп-сөнетін бөлетін нүктелер «:» жанады. Сіз уақытты **0:00 - 23:59** ауқымында белгілей аласыз.

1. **«Сағат/Алдын-ала белгілеу»** батырмасын (14) басыңыз, дисплейде жанып сөнетін сандар **«0:»** көрсетіледі және пиктограмма (20) жанады.
2. Тұтқаны (17) бұрап, сағаттың санды мәнін белгілеңіз.
3. **«Сағат/Алдын-ала белгілеу»** батырмасын (14) басыңыз, дисплейде жанып-сөнетін сандар **«:00»** көрсетіледі.
4. Тұтқаны (17) бұрап, минуттардың санды мәнін белгілеңіз.
5. Уақытты белгілеуді аяқтау үшін **«Сағат/Алдын-ала белгілеу»** батырмасын (14) басыңыз. 1

дыбыстық сигнал шығады, дисплейде белгіленген уақыт көрсетіледі, пиктограмма (20) жанып тұрады және бөлетін нүктелер жанып-сөнеді.

Ескерту

- Егер микротолқынды пешті электр желісіне іске қосқаннан кейін уақыттың санды мәндері енгізілмеген болса, онда ағымдағы уақыт дисплейде (10) көрсетілмейді.
- Егер батырманы (14) басқаннан кейін ешқандай әрекеттер жасамаса, онда 10 секунд өткеннен кейін дисплейде «0:00» көрсетілімдері автоматты белгіленеді.

МИКРОТОЛҚЫНДЫ РЕЖИМДЕ ТАҒАМДАРДЫ ДАЙЫНДАУ

Микротолқынды пештің қуат деңгейін таңдаңыз және жұмыс істеу уақытын белгілеңіз.

1. Пеш есігін ашыңыз, азық-түлікті жұмыс камерасына салыңыз, есікті жабыңыз.
2. **«Микротолқындар»** батырмасын (11) басыңыз, дыбыстық сигнал шығады, дисплейде дайындаудың микротолқынды режимінің (22) таңбасы пайда болады және пиктограмма (23) жанады.
3. Қажетті қуат деңгейін таңдау үшін **«Микротолқындар»** батырмасын (11) басыңыз. Дисплейде келесі қуат режимдері көрсетіледі:

Кесте 1

Басылу саны	Ддисплейдегі сурет	Пештің қуаты
1	100P	100%
2	80P	80%
3	60P	60%
4	40P	40%
5	20P	20%

4. Тұтқаны (17) бұрап тағамдардың дайындалу ұзақтығын белгілеңіз. Дисплейде (10) белгіленіп жатқан дайындау ұзақтығы көрсетіледі.

Ескерту

- Сіз дайындау ұзақтығын **«0:10-60:00»** ауқымында кестеде көрсетілген қадаммен белгілей аласыз.

Кесте 2

Уақыт аралығы	Уақытты белгілеу қадамы
0-5 мин	10 сек
5-10 мин	30 сек
10-60 мин	1 мин

5. Тағамдарды дайындауды бастау үшін «Старт/Жылдам старт» батырмасын (16) басыңыз, дисплейде (10) қалған уақыттың санағы басталады және пиктограмма (21) жанады.
6. Дайындау режимі аяқталғаннан кейін пеш сөнеді, дисплейде (10) **«End»** жазуы шығады және үш дыбыстық сигнал шығады.

7. Тағам дайындалып болғаннан кейін пештің есігін ашыңыз және дайын тағамдарды шығарыңыз.

Ескерту

- Тағамдарды дайындау уақытын тұтқаны (17) бұрап немесе батырманы (16) қайталап басып өзгертуге болады. Блегілеу қадамы 2 кестеде көрсетілген.
- Тағамдардың дайын болуын есікті ашып тексеруге болады. Егер тағам дайын болмаса, тағамды дайындауды жалғастыру үшін есікті жабыңыз және «Старт/жылдам старт» батырмасын (16) басыңыз.

ТАҒАМДАРДЫ ЖЫЛДАМ ДАЙЫНДАУ РЕЖИМИ

1. Пеш есігін ашыңыз, азық-түлікті жұмыс камерасына салыңыз, есікті жабыңыз.
2. Толық қуатпен 1 минут бойы дайындауды бастау үшін «Старт/Жылдам старт» батырмасын (16) басыңыз.

Ескерту: Тағамдарды дайындау уақытын тұтқаны (17) бұрап немесе батырманы (16) қайталап басып, 2 кестеде көрсетілген қадаммен өзгертуге болады.

3. Дайындау режимі аяқталғаннан кейін пеш сөнеді, дисплейде (10) «End» жазуы шығады және үш дыбыстық сигнал шығады.
4. Тағамдарды дайындап болғаннан кейін пеш есігін ашыңыз және дайын болған тағамдарды шығарыңыз.

«КОНВЕКЦИЯ» РЕЖИМІНДЕ ТАҒАМДАРДЫ ДАЙЫНДАУ

1. Пеш есігін ашыңыз, азық-түлікті жұмыс камерасына салыңыз, есікті жабыңыз.

Ескерту

- Қажет болғанда грильге арналған торды (9) пайдаланыңыз, оны шыны табаққа (5) орнатыңыз.
2. «Гриль/Комби/Конвекция» батырмасын (12) басып, «С» конвекция режимін таңдаңыз. Дисплейде конвекция режимінің таңбасы (24) көрсетіледі.
 3. Тұтқаны (17) бұрап қыздыру температурасын белгілеңіз. Дисплейде (10) температуралық режимдердің (31) біреуі көрсетіледі.

Ескерту

- «Конвекция» режимінде температуралық қыздырудың келесі мәндері мүмкін: 100, 140, 180, 200 және 230 оС.

4. «Старт/Жылдам старт» батырмасын (16) басыңыз, дисплейде «Pr-H» жазуы пайда болады.
5. Тұтқаны (17) бұрап дайындау уақытын белгілеңіз. Дисплейде (10) белгіленетін уақыт көрсетіледі.

Ескерту: Дисплейде «Pr-H» көрсетілімі жанып тұрғанда, «Старт/Жылдам старт» батырмасы (16) қайталап басылуы 15 минут бойы дайындау режимін іске қосады.

6. Тағамдарды дайындауды бастау үшін «Старт/Жылдам старт» батырмасын (16) басыңыз, дисплейде (10) қалған уақыт санағы басталады,

пиктограмма (25) және температуралық режимдердің (31) таңбасы жанады.

7. Дайындау режимі аяқталғаннан кейін пеш сөнеді, дисплейде (10) «End» жазуы шығады және үш дыбыстық сигнал шығады.

«КОНВЕКЦИЯ/КОМБИ» РЕЖИМІНДЕ ТАҒАМДАРДЫ ДАЙЫНДАУ

1. Пеш есігін ашыңыз, азық-түлікті жұмыс камерасына салыңыз, есікті жабыңыз.
2. «Гриль/Комби/Конвекция» батырмасын (12) кезектеп басып, екі аралас дайындау режимінің біреуін таңдаңыз. Дисплейде сіз таңдаған режим «С-1» немесе «С-2» және таңбалар (22) және (24) көрсетіледі.
3. Тұтқаны (17) бұрап қыздыру температурасын белгілеңіз. Дисплейде (10) температуралық режимдердің (31) біреуі көрсетіледі.

Аралас дайындаудың амалдары

Кесте 3

Режим	Микро-толқуындар	Кон-векция	Қыздыру температурасы, °С
С -1	30%	70%	100, 140, 180
С -2	55%	45%	100, 140, 180

4. «Старт/Жылдам старт» батырмасын (16) басыңыз, дисплейде «Pr-H» жазуы пайда болады.
5. Тұтқаны (17) бұрап дайындау уақытын белгілеңіз. Дисплейде (10) белгіленетін уақыт көрсетіледі.

Ескерту: Дисплейде «Pr-H» көрсетілімі жанып тұрғанда, «Старт/Жылдам старт» батырмасы (16) қайталап басылуы 15 минут бойы дайындау режимін іске қосады.

6. Тағамдарды дайындауды бастау үшін «Старт/Жылдам старт» батырмасын (16) басыңыз, дисплейде (10) қалған уақыт санағы басталады, пиктограмма (25) және температуралық режимдердің (31) таңбасы жанады.
7. Дайындау режимі аяқталғаннан кейін пеш сөнеді, дисплейде (10) «End» жазуы шығады және үш дыбыстық сигнал шығады.

Ескерту

- Ең жақсы нәтижеге жету үшін тағамдарды дайындау процесінде аударып тұру қажет.
- Есікті ашыңыз, тағамдарды аударыңыз, есікті жабыңыз және тағамдарды дайындауды жалғастыру үшін «Старт/Жылдам старт» батырмасын (16) басыңыз.

«ГРИЛЬ» РЕЖИМІНДЕ ТАҒАМДАРДЫ ДАЙЫНДАУ

1. Пеш есігін ашыңыз, азық-түлікті жұмыс камерасына салыңыз, есікті жабыңыз.

Ескерту

Қажет болғанда грильге арналған торды (9) пайдаланыңыз, оны шыны табаққа (5) орнатыңыз.

ҚАЗАҚША

2. «Гриль/Комби/Конвекция» батырмасын (12) басып, «G» режимін таңдаңыз. Дисплейде «Гриль» режимінің (26) таңбасы болады.
3. Тұтқаны (17) бұрап, дайындау уақытын белгілеңіз. Дисплейде белгіленетін уақыт көрсетіледі.
4. Тағамдарды дайындауды бастау үшін «Старт/Жылдам старт» батырмасын (16) басыңыз, дисплейде қалған уақыт санағы басталады, «Гриль» режимінің пиктограммасы (27) жанады.
5. Дайындау режимі аяқталғаннан кейін пеш сөнеді, дисплейде (10) «End» жазуы шығады және үш дыбыстық сигнал шығады.

Ескерту

- Ең жақсы нәтижеге жету үшін тағамдарды дайындау процесінде аударып тұру қажет.
- Есікті ашыңыз, тағамдарды аударыңыз, есікті жабыңыз және тағамдарды дайындауды жалғастыру үшін «Старт/Жылдам старт» батырмасын (16) басыңыз. Бірақ Сіз тағамдарды аудармауыңызға болады.

«ГРИЛЬ/КОМБИ» РЕЖИМІНДЕ ТАҒАМДАРДЫ ДАЙЫНДАУ

1. Пеш есігін ашыңыз, азық-түлікті жұмыс камерасына салыңыз, есікті жабыңыз.
2. «Гриль/Комби/Конвекция» батырмасын (12) кезектеп басып, екі аралас дайындау режимінің біреуін таңдаңыз. Дисплейде сіз таңдаған режим «G-1» немесе «G-2» және таңбалар (22) және (26) көрсетіледі.

Аралас дайындаудың амалдары Кесте 4

Режим	Пеш қуаты	Гриль қуаты
G -1	30%	70%
G -2	55%	45%

3. Тұтқаны (17) бұрап дайындау уақытын белгілеңіз. Дисплейде (10) белгіленетін уақыт көрсетіледі.
4. Тағамдарды дайындауды бастау үшін «Старт/Жылдам старт» батырмасын (16) басыңыз, дисплейде қалған уақыт санағы басталады, дайындау режимінің пиктограммасы (21) жанады.
5. Дайындау режимі аяқталғаннан кейін пеш сөнеді, дисплейде (10) «End» жазуы шығады және үш дыбыстық сигнал шығады.

Ескерту

- Ең жақсы нәтижеге жету үшін тағамдарды дайындау процесінде аударып тұру қажет.
- Есікті ашыңыз, тағамдарды аударыңыз, есікті жабыңыз және тағамдарды дайындауды жалғастыру үшін «Старт/Жылдам старт» батырмасын (16) басыңыз.

НАЗАР АУДАРЫҢЫЗ! «Гриль/комби» (G1 және G2) режимдерінде, және «конвекция/комби» (C1 және C2) режимдерінде грильге арналған торды (9) пайдалануға тыйым салынады.

АЗЫҚ-ТҮЛІКТІ САЛМАҒЫ БОЙЫНША ЕРІТУ

Пеш есігін ашыңыз, азық-түлікті жұмыс камерасына салыңыз, есікті жабыңыз.

1. Тұтқаны (17) бұрап, үш еріту режимінің біреуін таңдаңыз, дисплейде таңбалар (28) және (29) пайда болады.

Еріту режимдері

Кесте 5

Режим	Тағам	Салмағы, кг	
d-1	ет	0,1-ден дейін	2,0-ге
d-2	құс	0,2-ден дейін	3,0-ке
d-3	теңіз тағамы	0,1-ден дейін	0,9-ға

2. Еріту режимін таңдауды растау үшін «Старт/Жылдам старт» батырмасын (16) басыңыз, дисплейде пиктограмма (19) пайда болады.
3. Тұтқаны (17) бұрап, тағамдардың салмағын белгілеңіз. Сіз таңдалған еріту режиміне байланысты тағамдардың салмағын таңдай аласыз.
4. Тағамдарды еріту процесін бастау үшін «Старт/Жылдам старт» батырмасын (16) басыңыз. Дисплейде қалған уақыттың санағы басталады және еріту режимінің пиктограммасы (30) жанады.
5. Дайындау режимі аяқталғаннан кейін пеш сөнеді, дисплейде (10) «End» жазуы шығады және үш дыбыстық сигнал шығады.

Ескерту:

A-7 режимі 150 г пиццаны ысытуға арналған.

A-8 режимі балықты дайындауға арналған.

Мысал: салмағы 300 г көкөністерді дайындау:

1. Пеш есігін ашыңыз, азық-түлікті жұмыс камерасына салыңыз, есікті жабыңыз.
2. Батырманы (13) кезектеп басып көкөністерді дайындау режимін таңдаңыз, дисплейде «A-2» автоматты режимнің нөмірі және көкөністердің автоматты дайындалу режимінің (28) таңбасы көрсетіледі.
3. Тұтқаны (17) бұрап тағамның қажетті салмағын (300 г) таңдаңыз, ол дисплейде көрсетіледі.
4. Тағамдарды автоматты дайындауды бастау үшін «Старт/Жылдам старт» батырмасын (16) басыңыз. Дайындау уақыты автоматты белгіленеді, дисплейде қалған дайындау уақытыт және пиктограмма (21) көрсетіледі.
5. Дайындау режимі аяқталғаннан кейін пеш сөнеді, дисплейде (10) «End» жазуы шығады және үш дыбыстық сигнал шығады.

КӨПСАТЫЛЫ ДАЙЫНДАУ

Берілген пеш тағамдарды бірнеше сатыда дайындауға мүмкіндік береді (4 кезекті сатыға дейін).

Ескерту

- Автоматты дайындау режимі дайындаудың бір сатысы ретінде белгілене алмайды.

АВТОМАТТЫ ДАЙЫНДАУ РЕЖИМДЕРІ

Батыраны (13) кезектеп басып, сәйкес режимді белгілеп, Сіз келесі автоматты режимдердің біреуін таңдай аласыз:

Кесте 6

Мәзір	Тағам салмағы	Дисплей көрсеткіштері
А-1 «Макарондар»	100 г (және 300 мл суық су)	0,1
	200 г (және 600 суық су)	0,2
	300 г (және 900 суық су)	0,3
А-2 «Көкөністер»	200 г	0,2
	300 г	0,3
	400 г	0,4
	500 г	0,5
	600 г	0,6
	700 г	0,7
	800 г	0,8
А-3 «Мұздатылған көкөністер»	200 г	0,2
	300 г	0,3
	400 г	0,4
	500 г	0,5
	600 г	0,6
	700 г	0,7
	800 г	0,8
А-4 «Попкорн»	80 г	3
	100 г	3,5
А-5 «Сусындар»	250 мл	250
	500 мл	500
А-6 «Картоп»	450 г	0,45
	650 г	0,65
А-7 «Пицца»	150 г	-
А-8 «Балық»	450 г	-

Мысалы, сізге тағамдарды микротолқынды режимде 5 минут бойы 80% қуатпен дайындау, ал содан кейін гриль режимінде 7 минут бойы дайындауды жалғастыру керек. Бұл үшін келесі әрекеттерді орындаңыз:

1. Пеш есігін ашыңыз, азық-түлікті жұмыс камерасына салыңыз, есікті жабыңыз.
2. «Микротолқындар» батырмасын (11) басыңыз, дыбыстық сигнал шығады, дисплейде дайындаудың микротолқынды режимнің (22) таңбасы пайда болады және пиктограмма (23) жанады.
3. Қажетті қуат деңгейін таңдау үшін «Микротолқындар» батырмасын (11) басыңыз.
4. Тұтқаны (17) бұрап 5:00 минут уақытты (ұзақтықты) белгілеңіз.
5. «Гриль/Комби/Конвекция» батырмасын (12) басып, «G» режимін таңдаңыз. Дисплейде «Гриль» режимінің (26) таңбасы пайда болады.

6. Тұтқаны (17) бұрап дайындау уақытын 7:00 минут етіп белгілеңіз. Дисплейде белгіленетін уақыт көрсетіледі.
7. Тағамдарды көпсатылы дайындауды бастау үшін «Старт/Жылдам старт» батырмасын (16) басыңыз.
8. Дайындаудың бірінші сатысы аяқталғаннан кейін тағамдарды дайындаудың екінші сатысы басталады, сол кезде дисплейде (10) таңба (26) және пиктограмма (27) жанады және «гриль» режиміндегі тағамдарды дайындауға қалған уақыттың кері санағы басталады.
9. Дайындау режимі аяқталғаннан кейін пеш сөнеді, дисплейде (10) «End» жазуы шығады және үш дыбыстық сигнал шығады.

ДАЙЫНДАУДЫ БАСТАУ УАҚЫТЫН БЕЛГІЛЕУ

Қалаған тағамдарды дайындау бағдарламасын белгілеңіз, мысалы, тағамдарды 7 минут бойы 80% қуатпен дайындау:

ҚАЗАҚША

1. Пеш есігін ашыңыз, азық-түлікті жұмыс камерасына салыңыз, есікті жабыңыз.
2. «Микротолқындар» батырмасын (11) басып, **80P** қуатты таңдаңыз, дисплейде (10) «80P» таңбалары көрсетіледі, таңба (22) және пиктограмма (23) жанады.
3. Тұтқаны (17) бұрап дайындалу уақытын (ұзақтығын) 7:00 минут таңдаңыз.
4. «Сағат/Алдын-ала белгілеу» батырмасын (14) басыңыз, сағат сандары жанып-сөнеді.
5. Тұтқаны (17) бұрап сағаттарды 0-ден 23-ке дейінгі ауқымда белгілеңіз.
6. Растау үшін «Сағат/Алдын-ала белгілеу» батырмасын (14) басыңыз, минут сандары жанып-сөнеді.
7. Тұтқаны (17) бұрап минуттарды 0-ден до 59-ға дейінгі ауқымда белгілеңіз.
8. Растау үшін «Сағат/Алдын-ала белгілеу» батырмасын (14) басыңыз, сіз дыбыстық сигнал естисіз, пиктограмма (20) жанып-сөне бастайды, ал таңба (22) және пиктограмма (23) дисплейде жанып тұрады.
9. Белгіленген уақытқа жеткенде сіз дыбыстық сигнал естисіз, тағамдарды дайындау процесі басталады.
10. Дисплейде қалған дайындалу уақыты көрсетіледі.
11. Дайындау режимі аяқталғаннан кейін пеш сөнеді, дисплейде (10) «End» жазуы шығады және үш дыбыстық сигнал шығады.

Ескерту:

- Ағымдағы уақыт тағамдарды дайындау бағдарламасын белгілеу алдында белгіленуі керек.
- Тағамдарды дайындауды бастау уақытын білу үшін, «Сағат/Алдын-ала белгілеу» батырмасын (14) басыңыз, дайындауды бастау уақыты дисплейде (10) 2-3 секунд бойы көрсетіледі.

БАЛАЛАРДАН БӨГЕТТЕУ ҚЫЗМЕТІ

- Бөгеттеу: «Стоп/Болдырмау» батырмасын (15) үш секунд бойы басып ұстап тұрыңыз, дыбыстық сигнал шығады, дисплейде «OFF» жазуы жанады.
- Бөгеттеуді болдырмау: бөгеттеу режимінде «Стоп/Болдырмау» батырмасын (15) үш секунд бойы

басып ұстап тұрыңыз, дыбыстық сигнал шығады, «OFF» жазуы сөнеді.

ТАЗАЛАНУЫ ЖӘНЕ КҮТІМІ

- Тазалау алдында пешті сөндіріңіз және желілік баудың айырететігін ашалаықтан суырыңыз.
- Ылғалдың басқару тақтасына тиюіне жол бермеңіз, оны жұмсақ сәл дымқыл матамен тазартыңыз, содан кейін құрғатып сүртiңіз.
- Жұмыс камерасын тазалықта ұстаңыз. Егер пештің қабырғаларында азық-түліктің бөліктері немесе сұйықтықтардың тамшылары қалса, оларды дымқыл қағаз сүлгімен жақсылап жойыңыз.
- Пеш корпусы және жұмыс камерасы қатты ластанғанда жұмсақ жуғыш затты пайдалануға болады.
- Пештің сыртын және жұмыс камерасының ішін тазалау үшін қажайтын жуғыш заттарды, сымды қылшақтарды пайдаланбаңыз.
- Су немесе жуғыш зат пештің қақпағында орналасқан ауа мен буды шығаруға арналған саңылауларға тимеуіне қадағалаңыз.
- Аммиак негізіндегі жуғыш заттарды пайдалануға тыйым салынады.
- Пештің есігі әрқашан таза болуы керек. Пештің есігі мен беткі тақтасының арасында тамақ қиқымдары мен бөліктерінің жиналуына жол бермеңіз, бұл есіктің дұрыс жабылуына кедергі болады.
- Пешті салқындатуға келетін ауаға арналған оның корпусындағы желдетіс саңылауларын шаң мен кірден мезгілінде тазартып отырыңыз. Желдетіс саңылауларын тазалау үшін сәйкес қондырманы қолданып, шаңсорғышты пайдалануға болады.
- Шыны табақты, оның тіреуін және шығыршықты сақинаны мезгілімен шешіңіз және тазартыңыз; пештің жұмыс камерасының түбін сүртiңіз.
- Шыны табақ пен шығыршықты сақинаны бейтарап сабынды ерітіндімен суда жуыңыз.
- Қызып тұрған шыны табақты суық суға салмаңыз, температураның жылдам түсуінен шыны табақ жарылуы мүмкін.
- Жұмыс камерасындағы жағымсыз иістерді жою үшін лимон шырыны қосылған суы бар стақанды қойыңыз және оны бірнеше минут бойы қайнатыңыз. Жұмыс камерасының қабырғаларын жұмсақ сүлгімен жақсылап сүртiңіз.

АҚАУЛЫҚТАР ЖӘНЕ ОЛАРДЫ ЖОЮ ӘДІСТЕРІ

Микротолқынды пеш теле- және радиосигналдарды қабылдауға бөгет жасайды	Микротолқынды пештердің жұмыс істеуі уақытында теле- және радиосигналдарды қабылдау уақытында бөгеттер пайда болуы мүмкін. Ұқсас бөгеттер миксер, шаңсорғыш және электрлік фен сияқты шағын электр аспаптар жұмыс істегенде пайда болады. Бұл қалыпты құбылыс.
Есікте будың жиналуы, желдетіс саңылауларынан ыстық ауаның шығуы	Дайындау процесінде бу дайындалып жатқан азық-түліктен шығуы мүмкін. Будың басым бөлігі желдетіс саңылаулары арқылы шығады, бірақ оның біршама бөлігі есіктің ішкі жағында жиналуы мүмкін. Бұл қалыпты құбылыс.
Микротолқынды пеш азық-түліксіз іске қосылған	Микротолқынды пешті азық-түліксіз қысқа уақытқа іске қосу оның сынуына әкелмейді. Әрқашан пешті іске қосу алдында, оның ішінде азық-түліктің болуын тексеріңіз.

Ақаулықтарды жою

Ақаулық	Мүмкін себебі	Жою әдісі
Пеш іске қосылмайды	Желілік кабельдің айыретігі ашалыққа тығыз қосылмаған	Айыретікті ашалықтан суырыңыз. 10 секундтан кейін айыретікті қайтадан ашалыққа салыңыз
	Желілік ашалық дұрыс істемейді	Тексеру үшін сол ашалыққа басқа электр аспапты қосып көріңіз
Қызу жоқ	Есік тығыз жабылмаған	Есікті тығыз жабыңыз
Жұмыс істеу уақытында айналатын шыны табақ бөтен шуылдар шығарады	Шығыршықты сақина немесе Жұмыс камерасының төменгі бөлігі ластанған	Шыны табақты және шығыршықты сақинаны шешіңіз. Шығыршықты сақинаны және жұмыс камерасының түбін жуыңыз

ТЕХНИКАЛЫҚ ӨЛШЕМДЕРІ МЕН СИПАТТАМАЛАРЫ

Пайдалану шарттары

Ауа температурасы	+10°C - +35°C
Ауаның салыстырмалы ылғалдылығы	35-80%
Атмосфералық қысым	86-106 кПа (сын. бағ. б. 650 – 800 мм.)

Негізгі өлшемдері

Электрқорегі:	220-240 В ~ 50Гц
Номиналды микротолқынды қуаты	900 Вт
Микротолқындар режимінде номиналды тұтынатын қуаты	1400 Вт
Гриль режимінде номиналды тұтынатын қуаты	1000 Вт
Конвекция режимінде номиналды тұтынатын қуаты	1300 Вт
АЖЖ ПӘК-і (%):	55%
Жұмыс жиілігі	2450 ± 49 МГц
Камера көлемі	28 л
Шыны табақтың диаметрі	315 мм
Өлшемдіктері, аспайды	518x324x440 мм
Таза массасы	Шамамен 17,5 кг

Жабдықталуы

Пеш	1 дн.
Шыны табақ	1 дн.
Шығыршықты сақина	1 дн.
Шыны табақтың тіреуі	1 дн.
Грильге арналған тор	1 дн.
Пайдалану бойынша нұсқаулық	1 дн.
Кепілдік талон	1 дн.
Микротолқынды пешке арналған пісіру әдістері бойынша кітап	1 дн.
Жеке ыдыс	1 дн.

Өндіруші құрылғының дизайны мен техникалық сипаттамаларын алдын-ала хабарлаусыз өзгерту құқығын сақтайды.

Құрылғының қызмет ету мерзімі - 5 жыл

Гарантиялық міндеттілігі

Гарантиялық жағдайдағы қаралып жатқан бөлшектер дилерден тек сатып алынған адамға ғана беріледі. Осы гарантиялық міндеттілігіндегі шағымдалған жағдайда төлеген чек немесе квитанциясын көрсетуі қажет.

ROMÂNĂ/ Moldovenească

CUPTOR CU MICROUNDRE

Înainte de a începe utilizarea dispozitivului citiți cu atenție prezenta instrucțiune de exploatare.

Cuptorul cu microundre va servi impecabil mulți ani cu condiția respectării strictă a tuturor indicațiilor instrucțiunii. Păstrați prezentul manual de utilizare la îndemână.

Descriere

1. Clichetele ușii cuptorului
2. Fereastră de vizualizare
3. Suport platou din sticlă
4. Inel cu role
5. Platou din sticlă
6. Locul de ieșire a microundrelor
7. Panou de comandă
8. Sistem de blocare a ușii cuptorului
9. Grilaj pentru grill

Panou de comandă

10. Display
11. Buton «Microunde»
12. Buton «Microunde/Combi/Convecție»
13. Buton «Auto Meniu»
14. Buton «Ora / Presetare»
15. Buton «Stop / Anulare»
16. Buton «Start / Start rapid»
17. Mâner «Auto / Dezghețare / Timp / Greutate / Temperatura»

Display

18. Simboluri alfanumerice / indicația timpului curent
19. Simbolul greutateii selectate a produselor
20. Pictograma timpului curent
21. Pictograma regimului de preparare
22. Simbolul regimului de preparare cu microundre
23. Pictograma nivelului de putere
24. Simbolul regimului «Convecție»
25. Pictograma regimului «Convecție»
26. Simbolul regimului «Grill»
27. Pictograma regimului «Grill»
28. Simbolul regimului de preparare automată a produselor
29. Simbolul regimului «Dezghețare»
30. Pictograma regimului «Dezghețare»
31. Simbolurile regimurilor de temperatură

ATENȚIE!

Pentru protecția suplimentară este rațională instalarea unui disjuncteur de protecție (ECB) cu curent nominal de acțiune nu mai mare de 30 mA, în lanțul de alimentare cu curent electric a bucătăriei; pentru instalare adresați-vă unui specialist.

PRECAUȚIILE CE TREBUIESC RESPECTATE PENTRU A EVITA RISCUL IMPACTULUI DE ENERGIA MICROUNDRELOR

- Nu utilizați cuptorul cu microundre cu ușa deschisă, deoarece impactul radiației cu microundre prezintă pericol.
- Nu modificați circuitele electrice a blocărilor de siguranță a ușii cuptorului.

- Nu introduceți nici un fel de obiecte între corpul cuptorului și ușa acestuia, înlăturați minuțios impuritățile sau resturile de detergent de pe suprafața interioară a ușii.
- Locul de ieșire a microundrelor (6) este închis cu placa din mică, nu o înlăturați și păstrați-o în curățenie.
- Nu utilizați cuptorul deteriorat, este deosebit de important ca ușa cuptorului să se închidă în mod corespunzător.
- Asigurați-vă ca să nu fie:
 - defecțiuni ale ușii (de exemplu, atunci când este îndoită),
 - defecțiuni ale balamalelor și a clichetelor (atunci când ele sunt deteriorate sau slăbite).
 - defecțiuni ale grilajului ecranat de pe partea interioară a ferestrei de vizualizare.
- Reglarea sau reparația cuptorului cu microundre trebuie să fie efectuate doar de către specialiștii unui centru autorizat de service.

MĂSURI IMPORTANTE DE SECURITATE

ATENȚIE! Nu utilizați cuptorul cu microundre în cazul deteriorării ușii sau a balamelor ușii până la înlăturarea defectelor de către personal competent!

ATENȚIE! Toate lucrările de întreținere și reparație a dispozitivului cu privire la scoaterea capacelor care asigură protecția împotriva impactului de energia microundrelor trebuie să fie executate doar de către specialiști calificați!

ATENȚIE! Nu încălziți lichide și alte produse în vase ermetice închise, pentru a evita exploadarea ambalajului!

ATENȚIE! Utilizarea cuptorului de către copii fără supraveghere este permisă numai în cazul în care lor le-au explicat instrucțiunile corespunzătoare și clare privind utilizarea de siguranță a dispozitivului și pericolele care pot apărea la utilizarea incorectă a acestuia!

ATENȚIE! Pentru a evita riscul în cazul deteriorării cablului de alimentare înlocuiți-l la centru autorizat de service.

ATENȚIE! Cuptorul nu este destinat utilizării de către copii și persoane cu capacități fizice sau mentale reduse sau în cazul lipsei de experiență sau cunoștințe, în cazul în care ei nu sunt controlați de către persoană responsabilă de siguranța lor și, în cazul în care aceștia nu sunt instruiți cu privire la regulile de utilizare a cuptorului!

AVERTIZARE: Suprafețele exterioare ale cuptorului sunt supuse încălzirii în timpul funcționării cuptorului.

AVERTIZARE: Temperatura suprafețelor interne ale camerei de lucru poate fi înaltă în timpul funcționării dispozitivului.

ATENȚIE! Nu admițeți copii în apropierea cuptorului fără supravegherea unui adult în timpul funcționării cuptorului în regim combinat sau în regim grill!

MĂSURI DE SIGURANȚĂ

Înainte de a începe utilizarea cuptorului citiți cu atenție prezenta instrucțiune de exploatare și păstrați-o pentru utilizare ulterioară în calitate de material de referință.

Utilizați dispozitivul doar conform destinației sale, cum este descris în prezenta instrucțiune. Manipularea necorespunzătoare poate duce la defectarea dispozitivului sau de a cauza daune utilizatorului sau a bunurilor lui.

Pentru a evita arsurile, electrocutările, incendiile, impactele de pierdere ale radiației cu microunde și daune asupra sănătății respectați următoarele recomandări:

- Înainte de prima conectare a cuptorului, asigurați-vă că tensiunea din rețeaua electrică corespunde cu tensiunea indicată pe corpul dispozitivului.
- Utilizați cuptorul cu microunde doar conform destinației sale, cum este indicat în prezenta instrucțiune.
- Cuptorul cu microunde este destinat pentru prepararea și încălzirea bucatelor gata.
- Nu conectați cuptorul fără produse.

Pentru a evita riscul de aprindere în camera de lucru a cuptorului respectați următoarele reguli.

- La încălzirea bucatelor în ambalaj de plastic sau hârtie urmăriți procesul de încălzire pentru a evita aprinderea ambalajului.
- Înainte de a plasa în cuptor pachetele din plastic sau hârtie, înlăturați de pe ele toate clamele din sârmă (fixatoare);
- În cazul aprinderii în interiorul cuptorului, deconectați-l imediat, decuplați de la rețeaua electrică și lăsați ușa închisă pentru a preveni răspândirea focului.
- Nu utilizați camera de lucru a cuptorului pentru depozitarea oricărui fel de obiecte, nu lăsați în aceasta hârtii sau produse.
- Dispozitivul nu este destinat pentru utilizarea cu un timer extern sau un sistem de comandă la distanță separat.
- Verificați ustensilele în prealabil dacă sunt potrivite pentru utilizare în cuptorul cu microunde.
- Ustensilele se pot încălzi tare, primind căldură de la produsele preparate, de aceea utilizați mănuși de bucătărie sau alte accesorii de protecție.
- Fiți atenți atunci când scoateți vasul din cuptor, deoarece fierberea intensivă a lichidelor încălzite poate avea loc chiar și după finisarea încălzirii acestora în cuptorul cu microunde.
- Dispozitivul este destinat doar pentru prepararea/încălzirea produselor și a băuturilor. Uscarea hainelor sau încălzirea obiectelor de uz casnic poate duce la riscul de deteriorare a cuptorului, precum și la aprinderea obiectelor situate în cuptor, și la incendiu.
- Nu preparați și nu încălziți în cuptorul cu microunde ouăle în coajă și ouăle fierte tare, deoarece ele pot exploda din cauza creșterii presiunii interne.
- Sticlutele de hrănire și borcanașele cu mâncare pentru bebeluși trebuie să fie introduse în cuptorul fără capace și biberone. Conținutul trebuie să fie amestecat sau agitat periodic. Înainte de hrănirea copilului verificați temperatura conținutului sticlutei sau a borcanașului, pentru a preveni arsurile.

- Nu lăsați niciodată dispozitivul conectat fără supraveghere.
- Din motive de siguranță a copiilor nu lăsați pungile de polietilenă, folosite în calitate de ambalaj, fără supraveghere.
- **Atenție! Nu permiteți copiilor să se joace cu pungile de polietilenă sau peliculă de ambalare. Pericol de sufocare!**
- Fiți deosebit de precauți dacă în apropiere de dispozitivul conectat se află copii sau persoane cu dizabilități.
- Prezentul dispozitiv nu este prevăzut pentru a fi utilizat de către copii și persoane cu dizabilități. Aceștia pot utiliza dispozitivul doar în cazuri excepționale în care persoana responsabilă pentru siguranța acestora le-a explicat instrucțiunile corespunzătoare și clare de utilizare sigură a dispozitivului și pericolele legate de utilizarea necorespunzătoare a acestuia.
- Nu acoperiți orificiile de ventilare de pe corpul cuptorului cu microunde.
- Nu amplasați cuptorul cu microunde în interiorul sertarilor de bucătărie, dulapurilor și pe polițe, care nu asigură o ventilație necesară.
- Nu scufundați cablul de alimentare și fișa cablului de alimentare în apă sau în alte lichide.
- Nu permiteți contactul cablului de alimentare și a fișei cablului de alimentare cu suprafețe fierbinți și cu margini ascuțite ale mobilierului.
- La extragerea fișei cablului de alimentare din priză electrică apucați de fișa cablului de alimentare și nu de cablul de alimentare.
- Nu apucați fișa cablului de alimentare cu mâinile umede, acest lucru poate duce la electrocutare.
- Nu utilizați cuptorul cu microunde dacă sunt deteriorate cablul de alimentare sau fișa cablului de alimentare, dacă cuptorul funcționează necorespunzător (cu întreruperi), precum și după căderea lui.
- Pentru a evita riscul electrocutării nu demontați și nu reparați cuptorul de sine stătător; dacă ați depistat careva defecte, adresați-vă doar la un centru autorizat de service.

DISPOZITIVUL ESTE DESTINAT DOAR PENTRU UZ ÎN CONDITII CASNICE.

INDICAȚII REFERITOR LA CONTACTARE CU PĂMÂNTUL

- Cuptorul cu microunde trebuie să aibă un contact sigur cu pământul. În caz de scurtcircuit intern, contactul cu pământul micșorează riscul de electrocutare, deoarece curentul electric va fi orientat prin cablul de contactare cu pământul. În cuptorul cu microunde se utilizează cablul de alimentare cu firul de contactare cu pământul și fișa cablului de alimentare dotată cu contactul cu pământul.
- Fișa se conectează la priză de rețea care, la fel, trebuie să aibă contactul cu pământul.

Avertizare:

- Utilizarea fișei cablului de alimentare cu contact de legare cu pământul, conectată în priză fără contactul cu pământul poate cauza riscul de electrocutare.

ROMÂNĂ/ Moldovenească

- Consultați un electric calificat, dacă aveți nevoie de instrucțiuni privind contactarea cu pământul sau dacă aveți dubii în privința siguranței contactului cuptorului cu microunde cu pământul.
- Cu scopuri de a preveni încălzirea cablului de alimentare cuptorul cu microunde este dotat de cablu de alimentare scurt.
- La necesitatea utilizării unui prelungitor, utilizați doar prelungitor cu 3 fire cu contactul de legătură cu pământul pe fișa cablului de alimentare și cu contactul de legătură cu pământul în priza electrică.
- Marcarea secțiunii firelor cablului de alimentare a cuptorului cu microunde și marcarea pe cablu de alimentare a prelungitorului trebuie să se coincidă.
- Cablu de alimentare al prelungitorului nu trebuie să atârne de pe marginea mesei, de unde el poate fi tras de către copii, el trebuie să fie montat într-un așa fel încât să fie exclusă călcarea lui.

REGULI GENERALE DE PREPARARE A PRODUSELOR ÎN CUPTORUL CU MICROUNDE

AVERTIZARE: *Înainte de încălzire sau de preparare a produselor în ambalajul ermetic sau în vid nu uitați să-l desfaceți. În caz contrar în ambalaj se va crea o presiune care poate să-l rupă.*

- Nu preparați și nu încălziți în cuptorul cu microunde ouăle în coajă și ouăle fierte tare, deoarece ele pot exploda din cauza creșterii presiunii interne. Înainte de preparare străpungeți coaja groasă a alimentelor (de exemplu, a cartofilor, dovlecilor sau merelor) în mai multe locuri.
- Sticlutele de hrănire și borcanașele cu mâncare pentru bebeluși trebuie să fie introduse în cuptorul fără capace și biberone. Conținutul trebuie să fie amestecat sau agitat periodic. Înainte de hrănire verificați temperatura conținutului, pentru a preveni arsurile.
- La prepararea baconului nu-l așezați nemijlocit pe platoul de sticlă, supraîncălzirea locală a platoului de sticlă poate duce la apariția crăpăturilor pe acesta.
- În timpul preparării produselor utilizați ustensile destinate utilizării în cuptoarele cu microunde, așezați-le pe platoul de sticlă.
- Pentru încălzirea uniformă a produselor, plasați bucățile produselor mai groase mai aproape de marginile vasului.
- Urmăriți timpul de preparare a produselor. Setati timpul minim de preparare a produselor, în caz de necesitate puteți prelungi timpul de preparare.
- Nu depășiți timpul de preparare a produselor, deoarece acest lucru poate duce la inflamarea lor.
- Preparați produsele sub capac potrivit utilizării în cuptoarele cu microunde. Capacul va preveni împrăștierea sucului sau grăsimii și va contribui la prepararea uniformă a produselor.
- Pentru accelerarea procesului de preparare, întoarceți o dată produsele cu durată scurtă de preparare, de exemplu, hamburgerii. Bucăți mari de carne trebuie să fie întoarse cel puțin de două ori în timpul procesului de preparare.

- Amestecați produsele în timpul procesului de preparare, deplasându-le de sus în jos și de la centru spre periferie.

RECOMANDĂRI PRIVIND ALEGEREA USTENSILELOR

- Materialul perfect pentru ustensile potrivite utilizării în cuptorul cu microunde trebuie să fie «transparent» pentru microunde, acest fapt permite energiei lor să treacă prin pereții vasului și să încălzească produsele.
- Microundele nu pot pătrunde prin metal, de aceea se interzice utilizarea vaselor metalice sau cu elemente din metal.
- Nu plasați în cuptor obiecte fabricate din hârtie reciclată, deoarece aceasta poate conține particule din metal, care pot deveni cauza aprinderii ambalajului.
- Vase rotunde și ovale sunt preferabile pentru utilizare în cuptorul cu microunde, decât cele dreptunghiulare.
- Nu utilizați vase sparte și crăpate.

VERIFICAREA USTENSILELOR ÎNAINTE DE UTILIZARE ÎN CUPTORUL CU MICROUNDE

- Plasați vasul testat (de exemplu, o farfurie) în camera de lucru a cuptorului, puneți pe el un pahar din sticlă cu apă rece.
- Conectați cuptorul cu microunde la puterea maximă și setați timpul de funcționare nu mai mult de un minut.
- Atingeți atent vasul supus testării, dacă vasul s-a încălzit, iar apa în vas este rece, atunci utilizarea acestui vas pentru prepararea produselor în cuptorul cu microunde este interzisă.
- Nu depășiți timpul maxim de testare mai mult de un minut.

ASAMBLAREA CUPTORULUI CU MICROUNDE

După depozitarea cuptorului cu microunde la temperaturi scăzute sau după transportarea cuptorului în condiții de iarnă puteți-l conecta nu mai devreme de 2 ore de la aflare la temperatura camerei în forma despachetată.

- Îndepărtați materialul de ambalare și accesoriile din camera de lucru a cuptorului.
- Examinați cuptorul cu microunde la prezența deformării. Acordați o atenție deosebită stării de funcționare a ușii cuptorului. Dacă ați depistat vreo defecțiune nu instalați și nu conectați cuptorul cu microunde.

Acoperire de protecție:

Corpul: Dacă pe corp se află pelicula protectoare, înlăturați-o de pe suprafața corpului.

Nu îndepărtați placa gri deschisă din mică din interiorul camerei de lucru în locul de ieșire a microundelor (6), care servește pentru protejarea magnetronului.

ROMÂNĂ/ Moldovenească

Materialele și vasele potrivite pentru utilizare în cuptorul cu microunde

Vase pentru prăjire	Urmați instrucțiunile producătorului. Fundul vasului pentru prăjire trebuie să fie cu 5 mm mai gros decât grosimea platoului din sticlă. Utilizarea incorectă a vaselor pentru prăjire poate duce la apariția fisurilor în veselă și în platoul din sticlă.
Veselă obișnuită	Puteți utiliza doar acea vesela obișnuită, care posedă de marcarea corespunzătoare. Urmați instrucțiunile producătorului veselei. Nu utilizați veselă spartă sau cu crăpături.
Vase din sticlă	Puteți utiliza doar vase din sticlă, care sunt fabricate din sticlă termorezistentă. Asigurați-vă de absența marginilor metalice. Nu utilizați vase sparte sau cu crăpături.
Veselă de sticlă	Puteți utiliza doar vesela de sticlă, care este fabricată din sticlă termorezistentă. Asigurați-vă de absența marginilor metalice. Nu utilizați veselă spartă sau cu crăpături.
Pungi speciale pentru prepararea produselor în cuptorul cu microunde	Urmați instrucțiunile producătorului. Nu închideți pungile, utilizând clamele metalice sau elemente de strângere. Străpungeți punga în câteva locuri pentru ieșirea aburilor.
Farfurii și căni de hârtie	Utilizați farfurii și căni de hârtie doar pentru preparare/încălzire de scurtă durată. Nu lăsați cuptorul cu microunde fără supraveghere în timpul preparării/încălzirii produselor în asemenea vase.
Șervețele de hârtie	Puteți acoperi produsele supuse preparării cu șervețele de hârtie, pentru a le menține în cald și de a preveni împrôscarea grăsimii. Utilizați șervețele de hârtie doar sub controlul permanent și doar pentru preparare/încălzire de scurtă durată.
Hârtie de pergament	Hârtia de pergament se utilizează cu scopul de a preveni împrôscarea grăsimii sau în calitate de ambalaj.
Plastic	Puteți utiliza doar acele articolele din plastic, care posed de marcarea corespunzătoare „Potrivit pentru utilizare în cuptorul cu microunde”. Urmați instrucțiunile producătorului. Unele recipiente din plastic se pot înmuia în rezultatul încălzirii produselor conținute în ele. Pachetele din plastic închise ermetic trebuie să fie străpunse sau tăiate, astfel, cum este indicat pe ambalaj.
Ambalaj din plastic	Puteți utiliza doar acele articole din plastic, care posed de marcarea corespunzătoare.
Hârtie cerată	Hârtia cerată se utilizează pentru prevenirea împrôscării grăsimii și pentru menținerea umidității.

Materiale și vase nepotrivite pentru utilizare în cuptorul cu microunde

Platouri din aluminiu și folie de aluminiu	Platouri din aluminiu și folie de aluminiu pot cauza scânteiere. Utilizați vesela special prevăzută pentru utilizare în cuptorul cu microunde.
Cană din carton cu mâner metalic	Cană din carton cu mânerul metalic poate cauza scânteiere. Utilizați vesela special prevăzută pentru utilizare în cuptorul cu microunde.
Veselă metalică sau veselă cu ornament metalic	Metalul ecranează energia microundelor. Ornamentul metalic poate cauza scânteiere.
Clame metalice	Clamele metalice pot cauza scânteierea sau aprinderea ambalajului în timpul preparării/încălzirii produselor.
Punge de hârtie	Pungile de hârtie pot provoca o aprindere în cuptorul cu microunde.
Săpun	Săpunul poate să se topească și să provoace contaminarea camerei de lucru a cuptorului cu microunde.
Lemn	Veselă din lemn se poate usca, crăpa și să se aprindă.

ROMÂNĂ/ Moldovenească

Instalarea platoului din sticlă

- Instalați suportul platoului din sticlă (3) în orificiul amplasat pe fundul camerei de lucru.
- Instalați inelul cu role (4) pe fundul camerei de lucru.
- Instalați cu grijă platoul de sticlă (5) pe inelul cu role (4), aliniind ieșiturile de pe acesta cu canalurile suportului (3).
- Nu instalați niciodată platoul din sticlă cu partea de jos orientată în sus.
- Nu blocați rotirea platoului din sticlă în timpul funcționării cuptorului.
- În timpul preparării produselor utilizați întotdeauna platoul din sticlă (5), suportul (3) și inelul cu role (4).
- Întotdeauna plasați vesela pentru prepararea produselor doar pe platoul din sticlă (5).
- Platoul din sticlă (5) se poate roti în direcția și împotriva direcției acelor de ceasornic.
- În cazul apariției fisurilor sau spargerilor pe platoul din sticlă (5), încetați imediat utilizarea cuptorului și înlocuiți platoul.

UTILIZARE

Înainte de prima conectare a cuptorului, asigurați-vă că tensiunea din rețeaua electrică corespunde cu tensiunea indicată pe corpul dispozitivului.

SETAREA TIMPULUI CURENT

La conectarea cuptorului cu microunde la rețea se va ilumina display (10), va răsună un semnal sonor, și pe display se vor afișa punctele de separare clipitoare «:». Puteți seta timpul în diapazonul **0:00 - 23:59**.

1. Apăsăți butonul (14) «**Ora/Presetare**», pe display se vor afișa cifrele clipitoare «0:» și se va ilumina pictograma (20).
2. Rotind mânerul (17), setați valorile numerice ale orei.
3. Apăsăți butonul (14) «**Ora/Presetare**», pe display se vor afișa cifrele clipitoare «:00».
4. Rotind mânerul (17), setați valorile numerice a minutelor.
5. Apăsăți butonul (14) «**Ora/Presetare**», pentru a finisa setarea timpului. Va răsună un semnal sonor, pe display se va afișa timpul setat, va lumina pictograma (20) și vor clipi punctele de separare «:».

Remarcă:

- Dacă după conectarea cuptorului cu microunde la rețeaua electrică nu vor fi afișate valorile numerice ale timpului, atunci timpul curent nu va fi afișat pe display (10).
- Dacă după apăsarea butonului (14), nu s-au luat nici un fel de măsuri, atunci peste 10 secunde pe display se vor afișa automat indicațiile «00:00».

PREPARAREA PRODUSELOR ÎN REGIMUL CU MICROUND

Alegeți nivelul puterii cuptorului cu microunde și setați timpul de funcționare.

1. Deschideți ușa cuptorului, puneți produsele în camera de lucru, închideți ușa.
2. Apăsăți butonul (11) «**Microunde**», va răsună un semnal sonor, pe display se va afișa simbolul regimu-

lui de preparare cu microunde (22) și se va ilumina pictograma (23).

3. Pentru setarea nivelului de putere necesar apăsați butonul (11) «**Microunde**». Pe display se vor afișa următoarele regimuri de putere:

Tab. 1.

Numărul de apăsări	Imagine pe display	Puterea cuptorului
1	100P	100%
2	80P	80%
3	60P	60%
4	40P	40%
5	20P	20%

4. Rotind mânerul (17) setați timpul de preparare a produselor. Pe display (10) se va afișa timpul de preparare setat.

Remarcă:

- Puteți seta timpul de preparare în intervalul «0:10-60:00» cu pasul indicat în tabel.

Tab. 2.

Intervalul de timp	Pasul de setare a timpului
0-5 min	10 sec
5-10 min	30 sec
10-60 min	1 min

5. Apăsăți butonul (16) «**Start/Start rapid**», pentru a începe prepararea produselor, pe display (10) va începe numărătoarea timpului rămas și se va ilumina pictograma (21).
6. La finisarea procesului de preparare a produselor cuptorul se va deconecta, pe display (10) se va afișa inscripția «**End**» și vor răsună trei semnale sonore.
7. După prepararea produselor deschideți ușa cuptorului și scoateți produsele gate.

Remarcă:

- Puteți modifica timpul de preparare a produselor în timpul preparării rotind mânerul (17) sau cu apăsările repetate a butonului (16). Pasul setării este indicat în tabelul 2.
- Puteți verifica gradul de pregătire a produsului prin deschiderea ușii cuptorului. Dacă produsul nu este gata, închideți ușa și apăsați butonul (16) «**Start/Start rapid**» pentru a continua prepararea produsului.

REGIM DE PREPARARE RAPIDĂ A PRODUSELOR

1. Deschideți ușa cuptorului, puneți produsele în camera de lucru și închideți ușa.
2. Apăsăți butonul (16) «**Start/Start rapid**» pentru a începe prepararea la putere maximă timp de 1 minut.

Remarcă: Puteți modifica timpul de preparare a produselor prin rotirea mânerului (17) sau cu apăsările repetate a butonului (16), cu pasul, indicat în tabelul 2.

ROMÂNĂ/ Moldovenească

3. La finisarea procesului de preparare a produselor cuptorul se va deconecta, pe display (10) se va afișa inscripția «End» și vor răsună trei semnale sonore.
4. După prepararea produselor deschideți ușa cuptorului și scoateți produsele gata.

PREPARAREA PRODUSELOR ÎN REGIMUL «CONVECȚIE»

1. Deschideți ușa cuptorului, puneți produsele în camera de lucru, închideți ușa.

Remarcă:

- Dacă este necesar utilizați grilajul pentru grill (9), plătându-l pe platoul din sticlă (5).
2. Apăsând butonul (12) «Grill/Combi/Convecție» setați regimul de convecție «C». Pe display se va afișa simbolul regimului de convecție (24).
 3. Rotind mânerul (17) setați temperatura de încălzire. Pe display (10) se va afișa simbolul unuia dintre regimurile de temperatură (31).

Remarcă:

- În regimul «Convecție» sunt disponibile următoarele indicații ale temperaturii de încălzire: 100, 140, 180, 200 și 230 oC.
4. Apăsați butonul (16) «Start/Start rapid», pe display se va afișa inscripția «Pr-H».
 5. Rotind mânerul (17) setați timpul de preparare. Pe display (10) se va afișa timpul setat.

Remarcă: Atunci când pe display se afișează indicația «Pr-H», o apăsare repetată a butonului (16) «Start/Start rapid» activează regimul de preparare în decurs de 15 minute.

6. Apăsați butonul (16) «Start/Start rapid», pentru a începe prepararea produselor, pe display (10) va începe numărătoarea timpului rămas, se va ilumina pictograma (25) și simbolurile regurilor de temperatură (31).
7. La finisarea procesului de preparare a produselor cuptorul se va deconecta, pe display (10) se va afișa inscripția «End» și vor răsună trei semnale sonore.

PREPARAREA PRODUSELOR ÎN REGIMUL «CONVECȚIE/COMBI»

1. Deschideți ușa cuptorului, puneți produsele în camera de lucru, închideți ușa.
2. Apăsând în mod repetat butonul (12) «Grill/Combi/Convecție», setați unul dintre regimurile de preparare combinată. Pe display se va afișa regimul setat de Dvs «C-1» sau «C-2» și simbolurile (22) și (24).
3. Rotind mânerul (17) setați temperatura de încălzire. Pe display (10) se va afișa simbolul unuia dintre regimurile de temperatură (31).

Variante de preparare combinată

Tab. 3.

Regim	Microunde	Convecție	Temperatura de încălzire, °C
C -1	30%	70%	100, 140, 180
C -2	55%	45%	100, 140, 180

4. Apăsați butonul (16) «Start/Start rapid», pe display se va afișa inscripția «Pr-H».
5. Rotind mânerul (17) setați timpul de preparare. Pe display (10) se va afișa timpul setat.

Remarcă: Atunci când pe display se afișează indicația «Pr-H», o apăsare repetată a butonului (16) «Start/Start rapid» activează regimul de preparare în decurs de 15 minute.

6. Apăsați butonul (16) «Start/Start rapid», pentru a începe prepararea produselor, pe display (10) va începe numărătoarea timpului rămas, se va ilumina pictograma (25) și simbolurile regurilor de temperatură (31).
7. La finisarea procesului de preparare a produselor cuptorul se va deconecta, pe display (10) se va afișa inscripția «End» și vor răsună trei semnale sonore.

Remarcă:

- Pentru a obține un efect optimal întoarceți produsele în timpul preparării.
- Deschideți ușa, întoarceți produsele, închideți ușa și apăsați butonul (16) «Start/Start rapid» pentru a continua prepararea produselor.

PREPARAREA PRODUSELOR ÎN REGIMUL «GRILL»

1. Deschideți ușa cuptorului, puneți produsele în camera de lucru, închideți ușa.

Remarcă:

- Dacă este necesar utilizați grilajul pentru grill (9), plătându-l pe platoul din sticlă (5).
2. Apăsând butonul (12) «Grill/Combi/Convecție» setați regimul «G». Pe display se va afișa simbolul regimului «Grill» (26).
 3. Setați timpul de preparare, rotind mânerul (17). Pe display se va afișa timpul setat.
 4. Apăsați butonul (16) «Start/Start rapid», pentru a începe prepararea produselor, pe display va începe numărătoarea timpului rămas și se va ilumina pictograma regimului «Grill» (27).
 5. La finisarea procesului de preparare a produselor cuptorul se va deconecta, pe display (10) se va afișa inscripția «End» și vor răsună trei semnale sonore.

Remarcă:

- Pentru a obține un efect optimal întoarceți produsele în timpul preparării.
- Deschideți ușa, întoarceți produsele, închideți ușa și apăsați butonul (16) «Start/Start rapid» pentru a continua prepararea produselor. Dar puteți și nu întoarceți produsele.

PREPARAREA PRODUSELOR ÎN REGIMUL «GRILL/COMBI»

1. Deschideți ușa cuptorului, puneți produsele în camera de lucru și închideți ușa.
2. Apăsând în mod repetat butonul (12) «Grill/Combi/Convecție», setați unul dintre regimurile de preparare combinată. Pe display se va afișa regimul setat de Dvs «G-1» sau «G-2» și simbolurile (22) și (26).

ROMÂNĂ/ Moldovenească

Variante de preparare combinată

Tab. 4

Regim	Putere cuptor	Putere grill: 1000 W
G -1	30%	70%
G -2	55%	45%

- Rotind mânerul (17) setați timpul de preparare. Pe display se va afișa timpul setat.
- Apăsăți butonul (16) «Start/Start rapid», pentru a începe prepararea produselor, pe display va începe numărătoarea timpului rămas și se va ilumina pictograma regimului «Grill» (21).
- La finisarea procesului de preparare a produselor cuptorul se va deconecta, pe display (10) se va afișa inscripția «End» și vor răsuna trei semnale sonore.

Remarcă:

- Pentru a obține un efect optimal întoarceți produsele în timpul preparării.
- Deschideți ușa, întoarceți produsele, închideți ușa și apăsați butonul (16) «Start/Start rapid» pentru a continua prepararea produselor.

ATENȚIE! Nu utilizați grilajul pentru grill (9) în regimurile «Grill/Combi» (G1 și G2) și în regimurile «Convecție/Combi» (C1 și C2).

DEZGHEȚAREA PRODUSELOR ÎN DEPENDENȚĂ DE MASĂ

Deschideți ușa cuptorului, puneți produsele în camera de lucru, închideți ușa.

- Rotind mânerul (17), setați unul dintre trei regimuri de dezghețare, pe display vor apărea simbolurile (28) și (29).

Regimuri de dezghețare

Tab. 5

Regim	Produs	Greutate, kg
d-1	carne	De la 0,1 până la 2,0
d-2	pasăre	De la 0,2 până la 3,0
d-3	fructe de mare	De la 0,1 până la 0,9

- Apăsăți butonul (16) «Start/Start rapid» pentru a confirma setarea regimului de dezghețare, pe display va apărea pictograma (19).
- Setați greutatea produselor, rotind mânerul (17). Puteți introduce greutatea produselor în dependență de regimul de dezghețare setat.
- Apăsăți butonul (16) «Start/Start rapid» pentru a începe procesul de dezghețare a produselor. Pe display se va începe numărătoarea inversă a timpului rămas și se va ilumina pictograma regimului de dezghețare (30).
- La finisarea procesului de preparare a produselor cuptorul se va deconecta, pe display (10) se va afișa inscripția «End» și vor răsuna trei semnale sonore.

REGIMURI DE PREPARARE AUTOMATĂ

Puteți selecta unul dintre următoarele regimuri automate, setând regimul corespunzător, apăsând în mod repetat butonul (13):

Tab. 6

Meniu	Greutatea produsului	Indicațiile pe display
A-1 «Paste»	100 g (și 300 ml apă rece)	0,1
	200 g (și 600 ml apă rece)	0,2
	300 g (și 900 ml apă rece)	0,3
A-2 «Legume»	200 g	0,2
	300 g	0,3
	400 g	0,4
	500 g	0,5
	600 g	0,6
	700 g	0,7
A-3 «Legume congelate»	200 g	0,2
	300 g	0,3
	400 g	0,4
	500 g	0,5
	600 g	0,6
	700 g	0,7
A-4 «Popkorn»	80 g	3
	100 g	3,5
A-5 «Băuturi»	250 ml	250
	500 ml	500
A-6 «Cartofi»	450 g	0,45
	650 g	0,65
A-7 «Pizza»	150 g	-
A-8 «Pește»	450 g	-

Remarcă:

Regimul A-7 este destinat pentru încălzirea 150 g de pizza.

Regimul A-8 este destinat pentru prepararea peștelui.

Exemplu: prepararea legumelor cu masa de 300 g:

- Deschideți ușa cuptorului, puneți produsele în camera de lucru, închideți ușa.
- Apăsând în mod repetat butonul (13) setați regimul de preparare a legumelor, pe display se va afișa numărul regimului automat «A-2» și simbolul regimului de preparare automat a produselor (28).
- Rotind mânerul (17) setați masa dorită a produselor (300 g), care se va afișa pe display.
- Apăsăți butonul (16) «Start/Start rapid» pentru a începe procesul de preparare automată. Timpul de preparare se setează automat, pe display se vor afișa timpul de preparare rămas și pictograma (21).

5. La finisarea procesului de preparare a produselor cuptorului se va deconecta, pe display (10) se va afișa inscripția «End» și vor răsuna trei semnale sonore.

PREPARAREA ÎN MAI MULTE ETAPE

Acest cuptor permite prepararea alimentelor în mai multe etape (până la 4 etape consecutive).

Remarcă:

- *Regimul de preparare automat nu poate fi setat în calitate de unul dintre regimurile de preparare.*

De exemplu, aveți nevoie să preparați produsele în regimul de microunde la puterea de 80% în decurs de 5 minute, iar apoi să-l preparați în regimul «Grill» în decurs de 7 minute. Pentru a face acest lucru efectuați următorii pași:

1. Deschideți ușa cuptorului, puneți produsele în camera de lucru, închideți ușa.
2. Apăsăți butonul (11) «Microunde», va răsuna un semnal sonor, pe display se va afișa simbolul regimului de preparare cu microunde (22) și se va ilumina pictograma (23).
3. Pentru setarea nivelului de putere necesar apăsați butonul (11) «Microunde».
4. Rotind mânerul (17), setați timpul (durata) 05:00 minute.
5. Apăsând butonul (12) «Grill/Combi/Convecție» setați regimul «G». Pe display se va afișa simbolul regimului «Grill» (26).
6. Setați timpul de preparare 07:00 minute, rotind mânerul (17). Pe display se va afișa timpul setat.
7. Apăsăți butonul (16) «Start/Start rapid», pentru a începe prepararea în mai multe etape.
8. La finisarea primului etap de preparare se va conecta al doilea regim de preparare a produselor, pe display (10) se vor afișa simbolul (26) și pictograma (27) și va începe numărătoarea inversă a timpului rămas de preparare a produselor în regimul «Grill».
9. La finisarea procesului de preparare a produselor cuptorului se va deconecta, pe display (10) se va afișa inscripția «End» și vor răsuna trei semnale sonore.

SETAREA TIMPULUI DE ÎNCEPERE A PREPARĂRII

Setați programa dorită de preparare a produselor, de exemplu, să preparați produsele în decurs de 7 minute la puterea de 80%:

1. Deschideți ușa cuptorului, puneți produsele în camera de lucru, închideți ușa.
2. Apăsând butonul (11) «Microunde», setați puterea 80%, pe display (10) se vor afișa simbolurile «80P», va ilumina simbolul (22) și pictograma (23).
3. Rotind mânerul (17), setați timpul (durata) 7:00 minute.
4. Apăsăți și mențineți apăsat (14) «Ora/Presetare», se vor clipi indicațiile orei.
5. Rotind mânerul (17) setați ora în intervalul de la 0 până la 23.
6. Apăsăți butonul (14) «Ora/Presetare» pentru confirmare, se vor clipi indicațiile minutelor.
7. Rotind mânerul (17) setați minute în intervalul de la 0 până la 59.

8. Apăsăți butonul (14) «Ora/Presetare» pentru confirmare, veți auzi un semnal sonor, se va clipi pictograma (20), iar pe display se vor ilumina simbolul (22) și pictograma (23).
9. La atingerea timpului setat veți auzi un semnal sonor, se va începe procesul de preparare a produselor.
10. Pe display se va afișa timpul de preparare rămas.
11. La finisarea procesului de preparare a produselor cuptorului se va deconecta, pe display (10) se va afișa inscripția «End» și vor răsuna trei semnale sonore.

Remarcă:

- *Setați timpul curent înainte de a începe setarea programelor de preparare a produselor.*
- *Pentru aflarea timpului setat de începere a preparării produselor, apăsați butonul (14) «Ora/Presetare», timpul de începere a preparării va fi afișat pe display (10) în decurs de 2-3 secunde.*

FUNCȚIA DE BLOCARE DE LA COPII

- **Blocare:** apăsați și țineți apăsat butonul (15) «Stop/Anulare» timp de 3 secunde, va răsuna un semnal sonor. pe display va ilumina inscripția «OFF».
- **Anularea blocării:** în regimul de blocare apăsați și țineți apăsat butonul (15) «Stop/Anulare» timp de 3 secunde, va răsuna un semnal sonor și inscripția «OFF» va dispărea.

CURĂȚARE ȘI ÎNTREȚINERE

- Înainte de curățare deconectați cuptorul cu microunde și extrageți fișa cablului de alimentare din priză electrică.
- Nu permiteți contactul apei cu panoul de comandă. Ștergeți panoul de comandă cu o bucată de țesătură moale, puțin umezită, apoi ștergeți-l până la uscare.
- Mențineți camera de lucru a cuptorului în curățenie. Dacă pe pereții cuptorului au rămas bucăți de produse sau stropi de lichide, îndepărtați-le cu un serveteț umed.
- La poluarea puternică a corpului cuptorului și a camerei de lucru puteți utiliza un detergent de curățare moale.
- Nu utilizați detergenți abrazivi de curățare sau perii de sârmă pentru curățarea cuptorului pe dinafară și în interiorul camerei de lucru.
- Urmăriți ca apa sau detergentul de curățare să nu nimerescă în orificiile destinate evacuării aerului și aburului care se află pe capacul cuptorului.
- Nu utilizați detergenți de curățare pe bază de amoniac.
- Ușa cuptorului întotdeauna trebuie să fie curată. Nu permiteți acumularea fărâmarilor de hrană între ușa și panoul frontal al cuptorului, deoarece acest lucru împiedică închiderii normale a ușii.
- Curățați în mod regulat de praf și murdărie orificiile de ventilare de pe corpul cuptorului, prin care trece aerul pentru răcirea acestuia. Pentru curățarea orificiilor de ventilare puteți utiliza aspiratorul de praf, folosind duza corespunzătoare.

ROMÂNĂ/ Moldovenească

- Scoateți și curățați în mod regulat platoul din sticlă și suportul acestuia, stergeți fundul camerei de lucru a cuptorului.
- Spălați platoul din sticlă și inelul cu role cu apă caldă și un detergent de curățare neutru, apoi clătiți-le și uscați-le.
- Nu scufundați platoul din sticlă fierbinte în apă rece: din cauza variațiilor de temperaturi platoul din sticlă se poate sparge.
- Pentru a înlătura mirosurile neplăcute din camera de lucru plasați în cuptor un pahar cu apă și suc de lămâie și fierbeți-o timp de câteva minute. Ștergeți minuțios pereții camerei de lucru cu un serveteț moale.

DEFECȚIUNILE, CAUZELE LOR ȘI METODELE DE ÎNLĂTURAREA ACESTORA

Cuptorul cu microunde perturbă recepționarea semnalelor TV și radio	În timpul lucrului cuptorului cu microunde pot apărea perturbații în recepționarea semnalelor TV și radio. Perturbații similare pot apărea și în timpul funcționării altor aparate electrice, cum ar fi mixer, aspirator de praf și uscător de păr. Este un fenomen normal.
Acumularea aburilor pe ușă, ieșirea aerului fierbinte din orificiile de ventilare	În procesul de preparare a produselor umiditatea conținută în ele se transformă în aburi care ies prin orificiile de ventilare, aburii se pot condensa pe partea internă a ușii, provocând degajarea ei. Este un fenomen normal.
Cuptorul cu microunde este conectat fără produse	Conectarea cuptorului cu microunde pentru un timp scurt fără introducerea produselor, nu va conduce la deteriorarea acestuia. Întotdeauna verificați prezența produselor în camera de lucru înainte de a conecta cuptorul.

Înlăturarea defecțiunilor

Defecțiune	Cauza posibilă	Modalitatea de rezolvare
Cuptorul nu se conectează.	Fișa cablului de alimentare nu este introdusă complet în priză electrică.	Extrageți fișa cablului din priză electrică. Peste 10 secunde introduceți fișa înapoi în priză.
	Probleme legate de priză	Pentru a verifica priză, încercați să conectați în aceeași priză un alt aparat electric.
Lipsește încălzirea	Ușa nu este bine închisă	Închideți bine ușa
În timpul funcționării cuptorului platoul rotativ din sticlă produce zgomote străine.	S-a murdărit inelul cu role sau partea inferioară a camerei de lucru	Scoateți platoul din sticlă și inelul cu role Spălați inelul cu role și fundul camerei de lucru.

PARAMETRI TEHNICI ȘI CARACTERISTICI

Condiții de utilizare:

Temperatura aerului	De la +10°C până la +35°C
Umeditatea relativă a aerului	35-80%
Presiunea atmosferică	86-106 kPa (650 - 800 mm Hg)

Parametri de bază

Alimentare electrică :	220-240 V ~ 50 Hz
Puterea nominală a microundelor	900 W
Consum nominal de putere în regim microunde	1400 W
Consum nominal de putere în regim grill	1000 W
Consum nominal de putere în regim convecție	1300 W
Coeficient de eficiență (%) a microundelor:	55%
Frecvență de lucru	2450 ± 49 Mhz
Capacitatea camerei	28 l
Diametrul platoului din sticlă	315 mm
Dimensiuni de gabarit, nu mai mult	518x324x440 mm
Masă netă	Aproximativ 17,5 kg

ROMÂNĂ/ Moldovenească

Set

Cuptor	1 buc.
Platou din sticlă	1 buc.
Inel cu role	1 buc.
Suportul platoului din sticlă	1 buc.
Grilaj pentru grill	1 buc.
Instrucțiune de utilizare	1 buc.
Certificat de garanție	1 buc.
Carte cu rețete pentru cuptor cu microunde	1 buc.
Ambalaj individual	1 buc.

Producătorul își rezervează dreptul de a modifica designul și caracteristicile tehnice a dispozitivului fără anunțare prealabilă.

Termenul de funcționare a dispozitivului - 5 ani

Garanție

În legătură cu oferirea garanției pentru produsul dat, rugăm să Vă adresați la distribuitorul regional sau la compania, unde a fost procurat produsul dat. Serviciul de garanție se realizează cu condiția prezentării bonului de plată sau a oricărui alt document financiar, care confirmă cumpărarea produsului dat.

УКРАЇНЬСКА

МІКРОХВИЛЬОВА ПІЧ

Перед використанням пристрою уважно цю інструкцію з експлуатації.

За умови чіткого дотримання всіх вказівок інструкції, мікрохвильова піч бездоганно прослужить Вам багато років.

Зберігайте цю інструкцію в легкодоступному місці.

Опис

1. Клямки дверці печі
2. Оглядове вікно
3. Опора скляного піддону
4. Роликів кільце
5. Скляний піддон
6. Місце виходу НВЧ-хвиль
7. Панель управління
8. Система блокування дверці печі
9. Решітка для гриля

Панель управління

10. Дисплей
11. Кнопка «Мікрохвилі»
12. Кнопка «Гриль/Комбі/Конвекція»
13. Кнопка «Автомену»
14. Кнопка «Годинник / Предустановка»
15. Кнопка «Стоп / Скасування»
16. Кнопка (31) «Старт / Швидкий старт»
17. Ручка «Авто / Розморожування / Час / Вага / Температура»

Дисплей

18. Буквено-цифрові символи / індикація поточного часу
19. Символ вибраної ваги продукту
20. Піктограма поточного часу
21. Піктограма режиму приготування
22. Символ мікрохвильового режиму приготування
23. Піктограма рівня потужності
24. Символ режиму «Конвекція»
25. Піктограма режиму «Конвекція»
26. Символ режиму «Гриль»
27. Піктограма режиму «Гриль»
28. Символ режиму автоматичного приготування продуктів
29. Символ режиму «Розморожування»
30. Піктограма режиму «Розморожування»
31. Символи температурних режимів

УВАГА!

Для додаткового захисту в ланцюг живлення доречно встановити пристрій захисного відключення (ПЗВ) з номінальним струмом спрацювання, що не перевищує 30 мА; при установці слід звернутися до фахівця.

ОБЕРЕЖНОСТІ, ЯКИХ НЕОБХІДНО ДОТРИМУВАТИСЯ, ЩОБ НЕ ПІДДАВАТИСЯ РИЗИКУ ДІЇ МІКРОХВИЛЬОВОЇ ЕНЕРГІЇ

- Забороняється експлуатація печі з відкритим дверцям, оскільки дія мікрохвильового випромінювання представляє небезпеку.
- Не вносьте змін до електричних ланцюгів захисних блокувань дверцят печі.
- Не розміщуйте будь-які предмети між корпусом печі і її дверцятами, ретельно видаляйте забруднення або залишки миючого засобу з внутрішньої поверхні дверцят.
- Вихід НВЧ-хвиль (6) прикритий слюдяною пластиною, не видаляйте її і стежте за її чистотою.
- Не використовуйте пошкоджену піч, особливо поважно, щоб дверці печі належним чином закривалися.
- Стежте за тим, щоб не було:
 - пошкоджень дверцят (наприклад, коли вони погнуті),
 - пошкоджень шарнірів і клямок (коли вони зламані або ослаблені),
 - пошкоджень екрануючої решітки з внутрішньої сторони оглядового вікна.
- Регулювання або ремонт печі повинні проводитися тільки спеціалістами авторизованого (уповноваженого) сервісного центру.

ВАЖЛИВІ ПРАВИЛА БЕЗПЕКИ

УВАГА! Не можна використовувати піч при наявності пошкоджень дверець або дверних петель до тих пір, поки компетентні фахівці не усунуть несправність, що виникла.

УВАГА! Всі роботи по обслуговуванню і ремонту пристрою, пов'язані із зняттям кришок, що забезпечують захист від дії мікрохвильової енергії, повинні виконуватися тільки кваліфікованими спеціалістами.

УВАГА! Рідини і інші продукти не можна розігрівати в закритих ємностях, щоб уникнути вибуху упаковки!

УВАГА! Використання пристрою дозволяється дітям без нагляду тільки в тому випадку, якщо їм дано відповідні та зрозумілі їм інструкції щодо безпечного користування пристроєм і тієї небезпеки, яка може виникнути при його неправильному використанні.

УВАГА! При пошкодженні мережевого шнура щоб уникнути небезпеки, його заміну необхідно робити в авторизованому (уповноваженому) сервісному центрі.

УВАГА! Піч не призначена для використання дітьми та особами з зниженими фізичними та розумовими можливостями або при відсутності у них досвіду або знань, якщо вони не перебувають під контролем особи, що відповідає за їх безпеку, або не проінструктовані про правила використання печі.

ЗАПОБІГАННЯ: Під час роботи печі зовнішні поверхні печі схильні до нагрівання.

ЗАПОБІГАННЯ: Температура внутрішніх поверхонь робочої камери може бути високою під час роботи пристрою.

УВАГА! При роботі печі у комбінованому режимі або режимі гриля забороняється допускати дітей близько до печі без нагляду дорослих.

ЗАХОДИ БЕЗПЕКИ

Перед початком експлуатації електроприладу уважно прочитайте цю інструкцію з експлуатації та збережіть її для використання в якості довідкового матеріалу. Використовуйте пристрій лише по його прямому призначенню, як викладено в даній інструкції. Неправильне поводження з пристроєм може привести до його поломки, спричинення шкоди користувачеві або його майну.

Щоб уникнути опіків, поразки електричним струмом, пожежі, дії витоку мікрохвильового випромінювання і спричинення шкоди здоров'ю дотримуйтеся наступних рекомендацій:

- Перед першим включенням печі переконайтеся, що напруга в електричній мережі відповідає напрузі, вказаній на корпусі пристрою.
- Використовуйте мікрохвильову піч лише по її прямому призначенню, як викладено в даній інструкції.
- Мікрохвильова піч призначена для приготування їжі і розігрівання готових блюд.
- Не вмикайте піч без продуктів.

Щоб уникнути ризику спалаху в робочій камері печі дотримуйтеся наступних правил.

- При розігріванні їжі в пластикових або паперовій упаковці стежте за процесом розігрівання, щоб не допустити спалаху упакувань.
- Перш, ніж помістити в піч паперові або пластикові пакети, видаліть з них дротяні закрутки (фіксатори).
- Якщо стався спалах усередині печі, негайно вимкніть її, від'єднайте від мережі і залиште дверці закритими, щоб не дати вогню поширитися.
- Не використовуйте робочу камеру печі для зберігання яких-небудь предметів, не залишайте в ній папір або продукти.
- Даний пристрій не призначений для приведення в дію зовнішнім таймером або системою дистанційного керування.
- Посуд заздалегідь перевірте на придатність для використання в мікрохвильовій печі.
- Посуд може сильно нагріватися, отримуючи тепло від готуються продуктів, тому необхідно користуватися рукавицями або прихватками.
- Будьте обережні, коли виймаєте посуд з печі, оскільки бурхливе закипання рідин може відбуватися вже після завершення їх розігрівання в мікрохвильовій печі.

- Пристрій призначений тільки для приготування/розігрівання продуктів та напоїв. Сушіння одягу або підігрівання побутових речей може привести до ризику пошкодження печі, а також до зайняття предметів, що знаходяться у печі, і до пожежі.
- Забороняється готувати і розігрівати в мікрохвильовій печі яйця в шкаралупі і яйця, зварені круто, оскільки вони можуть вибухнути із-за надмірного підвищення внутрішнього тиску.
- Пляшечки для годівлі й банки з дитячим харчуванням варто поміщати в піч без кришок і сосок. Вміст потрібно перемішувати або періодично струшувати. Перед годуванням дитини необхідно перевірити температуру вмісту баночки або пляшечки, щоб не допустити опіків.
- Ніколи не залишайте працюючий пристрій без нагляду.
- З міркувань безпеки дітей не залишайте поліетиленові пакети, використовувані в якості упакування, без нагляду.
- **Увага!** Не дозволяйте дітям грати з поліетиленовими пакетами або пакувальною плівкою. **Загроза ядухи!**
- Будьте особливо уважні, якщо поряд з працюючим пристроєм знаходяться діти або особи з обмеженими можливостями.
- Пристрій не призначений для використання дітьми та людьми з обмеженими можливостями. У виняткових ситуаціях особа, що відповідає за їх безпеку, повинна дати відповідні і зрозумілі ним інструкції про безпечне користування пристроєм і тієї безпеки, яка може виникати при його неправильному використанні.
- Не закривайте вентиляційні отвори на корпусі мікрохвильової печі.
- Не розташовуйте мікрохвильову піч всередині кухонних ящиків, шаф та на полицях, що не забезпечують належну вентиляцію.
- Не занурюйте мережевий шнур і вилку мережевого шнура у воду або будь-які інші рідини.
- Уникайте контакту мережевого шнура і вилки мережевого шнура з гарячими поверхнями і гострими кромками меблів.
- При від'єднанні вилки мережевого шнура від електричної розетки тримайтеся за вилку мережевого шнура, а не за мережевий шнур.
- Не беріться за вилку мережевого шнура мокрими руками, це може привести до ураження електричним струмом.
- Не використовуйте мікрохвильову піч, якщо пошкоджений мережевий шнур або вилка мережевого шнура, якщо піч працює з перебоями, а також після її падіння.
- Щоб уникнути поразки електричним струмом ніколи не розбирайте піч самостійно; при виявленні несправності звертайтеся лише до авторизованого (уповноваженого) сервісного центру.

ПРИЛАД ПРИЗНАЧЕНИЙ ЛИШЕ ДЛЯ ПОБУТОВОГО ВИКОРИСТАННЯ

УКРАЇНЬСКА

ВКАЗІВКИ ПО ЗАЗЕМЛЕННЮ ПЕЧІ

- Мікрохвильова піч має бути надійно заземлена. В разі якого-небудь внутрішнього замикання заземлення знижує ризик удару електрострумом, оскільки станеться відтік струму по заземлюючому дроту. У мікрохвильовій печі використовуються мережевий шнур із заземлюючим дротом і мережева вилка з контактом заземлення.
- Вилка підключається до мережевої розетки, яка також повинна мати контакт заземлення.

Попередження:

- Використання мережевої вилки з контактом заземлення, включеної в електричну розетку без контакту заземлення, може привести до ризику отримання удару електрострумом.
- Проконсультуйтеся з кваліфікованим електриком, якщо вам не ясні інструкції по заземленню печі або існують сумніви, що мікрохвильова піч надійно заземлена.
- В цілях запобігання заплутування мережевого шнура мікрохвильова піч забезпечена коротким мережевим шнуром.
- При необхідності використання подовжувача використовуйте лише 3-дротяний подовжувач з контактом заземлення на мережевій вилці і з контактом заземлення в електричній розетці.
- - Маркування перетину дротів мережевого шнура мікрохвильової печі і маркування на мережевому шнурі подовжувача повинні збігатися.
- Мережевий шнур подовжувача не повинен звисати з країв столу, де за нього можуть потягнути діти, і він має бути прокладений таким чином, щоб виключити ходіння по ньому.

ЗАГАЛЬНІ ПРАВИЛА ПРИГОТУВАННЯ ПРОДУКТІВ В НВЧ-ПЕЧАХ

ПОПЕРЕДЖЕННЯ: *Перед розігріванням або приготуванням продуктів в герметичній або вакуумній упаковці не забудьте розкрити її. Інакше в упаковці створиться тиск, який може розірвати її.*

- Забороняється готувати і розігрівати в мікрохвильовій печі яйця в шкаралупі і яйця, зварені круто, оскільки вони можуть вибухнути із-за надмірного підвищення внутрішнього тиску. Перед приготуванням товсту шкірку продуктів (наприклад, картоплі, кабачків або яблука) необхідно проколоти в декількох місцях.
- Пляшечки для годівлі й банки з дитячим харчуванням варто поміщати в піч без кришок і сосок. Вміст потрібно перемішувати або періодично струшувати. Перед годуванням необхідно перевірити температуру вмісту, щоб не допустити опіків.
- При приготуванні бекону не кладіть його безпосередньо на скляний піддон, місцевий перегрів скляного піддону може привести до появи в ньому тріщин.
- Під час приготування використовуйте посуд, призначений для мікрохвильових печей, та

установлюйте його на скляний піддон.

- Для рівномірного прогрівання продуктів розміщуйте більш товсті шматки продуктів ближче до країв посуду.
- Стежте за тривалістю приготування продуктів. Установіть найменшу тривалість приготування продуктів, при необхідності можна збільшити час приготування.
- Не перевищуйте тривалість приготування продуктів, оскільки це може привести до їх спалаху.
- Готуйте продукти під кришкою, придатною для використання в мікрохвильових печах. Кришка запобіжить розбризкуванню соку або жиру і допоможе продуктам готуватися рівномірно.
- Для прискорення процесу приготування один раз переверніть продукти швидкого приготування, наприклад, гамбургери. Великі шматки м'яса слід перевертати в процесі приготування як мінімум двічі.
- В процесі приготування перемішуйте продукти, переміщаючи їх зверху вниз і від центру до країв посуду.

Рекомендації по вибору посуду

- Ідеальний матеріал посуду для мікрохвильових печей має бути «прозорим» для мікрохвиль, це дозволяє їх енергії проходити через посуд і розігрівати продукти.
- Мікрохвилі не можуть проникати крізь метал, тому використовувати в НВЧ-печі металевий посуд або блюда з металевою обробкою забороняється.
- Не можна поміщати в піч предмети, виготовлені з повторно використовованого паперу, так як вона може містити вкращення металу, які можуть стати причиною загоряння упаковки.
- Круглі і овальні блюда переважніше для використання в мікрохвильовій печі, ніж прямокутні.
- Не використовуйте посуд з відколами і тріщинами.

Перевірка посуду перед використанням у мікрохвильовій печі:

- Установіть випробовуваний посуд в робочу камеру печі (наприклад, тарілку), поставте на неї скляний стакан з холодною водою.
- Включіть мікрохвильову піч на максимальну потужність і встановіть тривалість роботи не більш 1 хвилини.
- Обережно доторкніться до випробовуваного посуду, якщо він нагрівся, а вода у склянці холодна, то використовувати такий посуд для приготування продуктів у мікрохвильовій печі не можна.
- Уникайте перевищення тривалості випробування більш 1 хвилини.

Матеріали і посуд, придатні для використання в мікрохвильовій печі

Посуд для жарки	Додержуйтеся вказівок виробника. Дно посуду для жарки повинно бути на 5 мм товстіше, ніж у скляного обертового піддона. Неправильне використання посуду для жарки може привести до появи тріщин у самому посуді та у скляному обертовому піддоні.
Обідній посуд	Можна використовувати тільки той обідній посуд, який має відповідне маркування. Додержуйтеся вказівок виробника посуду. Не використовуйте посуд із тріщинами або відколами.
Скляні ємності	Можна використовувати тільки ті скляні ємності, які виготовлені з жароміцного скла. Переконайтеся у відсутності металевих ободків. Не використовуйте ємності із тріщинами або відколами.
Склопосуд	Можна використовувати тільки той склопосуд, який виготовлен з жароміцного скла. Переконайтеся у відсутності металевих ободків. Не використовуйте посуд із тріщинами або відколами.
Спеціальні мішки для приготування продуктів у мікрохвильовій печі	Додержуйтеся вказівок виробника. Не закривайте мішки, використовуючи металеві закрутки або перетяжки. У мішках необхідно зробити кілька отворів для виходу пари.
Паперові тарілки та чашки	Паперові тарілки та чашки можна використовувати тільки для короточасного готування/розігрівання. Не залишайте мікрохвильову піч без догляду під час готування/розігрівання продуктів у такому посуді.
Паперові рушники	Під час приготування продукти, що готуються, можна накрити паперовими рушниками для втримання тепла в них і для запобігання розбризкування жиру. Використовуйте паперові рушники тільки при постійному контролі й тільки для короточасного готування/підігрівання.
Пергаментний папір	Пергаментний папір використовується з метою запобігання розбризкування жиру або як обгортку.
Пластик	Можна використовувати тільки ті вироби із пластику, які мають відповідне маркування: „Придатне для мікрохвильової печі“. Додержуйтеся вказівок виробника. Деякі пластикові ємності можуть розм'якшитися в результаті нагрівання продуктів, що містяться в них. Герметично закриті пластикові пакети необхідно проколоти або прорізати, як зазначено на самих упаковках.
Пластикова обгортка	Можна використовувати тільки ті вироби із пластику, які мають відповідне маркування.
Восковий папір	Восковий папір використовується для запобігання розбризкування жиру, а також для збереження вологості.

Матеріали й посуд, непридатний для використання в мікрохвильовій печі

Алюмінієві підноси та фольга	Алюмінієві підноси та фольга можуть викликати іскріння. Користуйтеся посудом, спеціально призначеним для використання в мікрохвильовій печі.
Картонна чашка з металевою ручкою	Картонна чашка з металевою ручкою може викликати іскріння. Користуйтеся посудом, спеціально призначеним для використання в мікрохвильовій печі.
Посуд металевий або посуд з металевим обідом	Метал екранує енергію мікрохвиль. Металевий обід може викликати іскріння.
Металеві закрутки	Можуть викликати іскріння або загоряння упаковки під час приготування/розігрівання продуктів.
Паперові пакети	Паперові пакети можуть викликати загоряння в мікрохвильовій печі.
Мило	Мило може розплавитися й викликати забруднення робочої камери мікрохвильової печі.
Дерево	Дерев'яний посуд може висохнути, розтріснуватися й запалитися.

УКРАЇНЬСКА

ЗБИРАННЯ МІКРОХВИЛЬОВОЇ ПЕЧІ

Після зберігання мікрохвильової печі при низьких температурах або після транспортування печі в зимових умовах включити її можна не раніше, ніж через 2 години перебування при кімнатній температурі в розпакованому вигляді.

- Видаліть пакувальний матеріал і аксесуари з робочої камери печі.
- Огляньте мікрохвильову піч на предмет будь-яких пошкоджень. Особливу увагу приділіть справності дверець печі. Якщо ви виявили яку-небудь несправність, не встановлюйте і не включайте мікрохвильову піч.

Захисне покриття

Корпус: Якщо на корпусі є захисна плівка, видаліть її з поверхні корпусу.

Не видаляйте світло-сіру слюдяну пластину всередині робочої камери в місці виходу НВЧ-хвиль (6), що служить для захисту магнетрона.

Установлення скляного піддону

- Встановіть опору скляного піддону (3) в отвір, розташований в днищі робочої камери.
- Встановіть роликів кільце (4) на днищі робочої камери.
- Акуратно установлення скляний піддон (5) на роликів кільце (4), поєднавши виступи на нім з пазами опори (3).
- Ніколи не встановлюйте скляний піддон нижньою частиною вгору.
- Не перешкоджайте обертанню скляного піддону під час роботи печі.
- Під час приготування продуктів завжди використовуйте скляний піддон (5), опору (3) і роликів кільце (4).
- Посуд для приготування продуктів завжди необхідно встановлювати лише на скляний піддон (5).
- Скляний піддон (5) може обертатися за годинниковою або проти годинникової стрілки.
- При виникненні тріщин або відколів на скляному піддоні (5) негайно припиніть користуватися піччю і замініть піддон.

ЕКСПЛУАТАЦІЯ

Перед включенням печі переконайтеся, що напруга в електричній мережі відповідає напрузі, вказаній на корпусі пристрою.

УСТАНОВЛЕННЯ ПОТОЧНОГО ЧАСУ

При увімкненні мікрохвильової печі в мережу засвітиться дисплей (10), прозвучить звуковий сигнал, а на дисплеї (10) відобразяться блимаючі розділові крапки (16) «:». **Ви можете встановити час в діапазоні 0:00 - 23:59.**

1. Натисніть кнопку (14) «Годинник / Предустановка», на дисплеї відобразяться блимаючі цифри «0:» і засвітиться піктограма (20).

2. Поворотом ручки (17) установіть цифрове значення годин.
3. Натисніть кнопку (14) «Годинник / Предустановка», на дисплеї відобразяться блимаючі цифри «:00».
4. Поворотом ручки (17) установіть цифрове значення хвилин.
5. Натисніть кнопку (14) «Годинник/Предустановка», щоб закінчити установлення часу. Прозвучить 1 звуковий сигнал, на дисплеї відобразиться заданий час, піктограма (20) буде світитися і розділові крапки «:» будуть блимати.

Примітка

- Якщо після увімкнення мікрохвильової печі у електричну мережу цифрові значення часу не введені, то поточний час не буде відображатися на дисплеї (10).
- Якщо після натиснення кнопки (14) не зробити жодних дій, то після закінчення 10 секунд на дисплеї автоматично установлюються показання «0:00».

ПРИГОТУВАННЯ ПРОДУКТІВ В МІКРОХВИЛЬОВОМУ РЕЖИМІ

Виберіть рівень потужності мікрохвильової печі і встановіть час роботи.

1. Відкрийте дверці печі, помістіть продукти в робочу камеру, закрийте дверці.
2. Натисніть кнопку (11) «Мікрохвиля», прозвучить звуковий сигнал, на дисплеї з'явиться символ мікрохвильового режиму приготування і засвітиться піктограма (23).
3. Для вибору необхідного рівня потужності натисніть кнопку (11) «Мікрохвиля». На дисплеї будуть відображатися наступні режими потужності:

Табл. 1

Кількість натиснень	Зображення на дисплеї	Потужність печі
1	100P	100%
2	80P	80%
3	60P	60%
4	40P	40%
5	20P	20%

4. Поворотом ручки (17) установіть тривалість приготування продуктів. На дисплеї (10) відобразиться тривалість приготування, що установлюється.

Примітка

- Ви можете встановити тривалість приготування в діапазоні **0:10-60:00** з кроком, вказаним в таблиці.

Табл. 2

Інтервал часу	Крок установки часу
0-5 хв	10 сек
5-10 хв	30 сек
10-60 хв	1 хв

- Натисніть кнопку (16) «Старт / Швидкий старт», щоб почати приготування продуктів, на дисплеї (10) почнеться відлік часу, що залишився, та засвітиться піктограма (21).
- Після закінчення процесу приготування продуктів піч вимкнеться, на дисплеї (10) засвітиться надпис «End» і прозвучать три звукових сигнали.
- Після приготування продуктів відкрийте дверці печі і витягніть готові продукти.

Примітка

- Під час приготування продуктів можна змінювати час приготування поворотом ручки (17) або повторними натисненнями кнопки (16). Крок установки вказан в таблиці 2.
- Готовність продукту можна перевірити, відкривши дверці печі. Якщо продукт не готовий, закрийте дверці і натисніть кнопку (16) «Старт / Швидкий старт» для продовження приготування продукту.

РЕЖИМ ШВИДКОГО ПРИГОТУВАННЯ ПРОДУКТІВ

- Відкрийте дверці печі, помістіть продукти в робочу камеру, закрийте дверці.
- Натисніть кнопку (16) «Старт / Швидкий старт», щоб почати приготування при повній потужності протягом 1 хвилини.

Примітка: Час приготування продуктів можна змінювати поворотом ручки (17) або повторними натисненнями кнопки (16), з кроком установки, який вказан в таблиці 2.

- Після закінчення процесу приготування продуктів піч вимкнеться, на дисплеї (10) засвітиться надпис «End» і прозвучать три звукових сигнали.
- Після приготування продуктів відкрийте дверці печі і витягніть готові продукти.

ПРИГОТУВАННЯ ПРОДУКТІВ У РЕЖИМІ «КОНВЕКЦІЯ»

- Відкрийте дверці печі, помістіть продукти в робочу камеру, закрийте дверці.

Примітка

- При необхідності використовуйте решітку для гриля (9), встановивши її на скляний піддон (5).
- Натискаючи кнопку (12) «Гриль/Комбі/Конвекція» виберіть режим конвекції «С». На дисплеї з'явиться символ режиму конвекції (24).
 - Поворотом ручки (17) установіть температуру нагрівання. На дисплеї (10) відобразиться символ одного з температурних режимів (31).

Примітка

- У режимі «Конвекція» доступні наступні значення температури нагрівання: 100, 140, 180, 200 і 230 оС.
- Натисніть кнопку (16) «Старт / Швидкий старт», на дисплеї з'явиться надпис «Pr-H».
 - Поворотом ручки (17) установіть час приготування. На дисплеї (10) відобразиться час, що встановлюється.

Примітка: Коли на дисплеї світиться індикація «Pr-H», повторне натиснення кнопки (16) «Старт / Швид-

кий старт» активує режим приготування протягом 15 хвилин.

- Натисніть кнопку (16) «Старт / Швидкий старт», щоб почати приготування продуктів, на дисплеї (10) почнеться відлік часу, що залишився, та засвітиться піктограма (25) і відобразяться символи температурних режимів (31).
- Після закінчення процесу приготування продуктів піч вимкнеться, на дисплеї (10) засвітиться надпис «End» і прозвучать три звукових сигнали.

ПРИГОТУВАННЯ ПРОДУКТІВ У РЕЖИМІ «КОНВЕКЦІЯ/КОМБІ»

- Відкрийте дверці печі, помістіть продукти в робочу камеру, закрийте дверці.
- Послідовно натискаючи кнопку (12) «Гриль/Комбі/Конвекція» виберіть один з двох режимів комбінованого приготування. На дисплеї відобразиться обраний вами режим «С-1» або «С-2» і символи (22) і (24).
- Поворотом ручки (17) установіть температуру нагрівання. На дисплеї (10) відобразиться символ одного з температурних режимів (31).

Варіанти комбінованого приготування

Табл. 3

Режим	Мікрохвили	Конвекція	Температура нагрівання, °С
С - 1	30%	70%	100, 140, 180
С - 2	55%	45%	100, 140, 180

- Натисніть кнопку (16) «Старт / Швидкий старт», на дисплеї з'явиться надпис «Pr-H».
- Поворотом ручки (17) установіть час приготування. На дисплеї (10) відобразиться час, що встановлюється.

Примітка: Коли на дисплеї світиться індикація «Pr-H», повторне натиснення кнопки (16) «Старт / Швидкий старт» активує режим приготування протягом 15 хвилин.

- Натисніть кнопку (16) «Старт / Швидкий старт», щоб почати приготування продуктів, на дисплеї (10) почнеться відлік часу, що залишився, та засвітиться піктограма (25) і відобразяться символи температурних режимів (31).
- Після закінчення процесу приготування продуктів піч вимкнеться, на дисплеї (10) засвітиться надпис «End» і прозвучать три звукових сигнали.

Примітка

- Для отримання найкращого ефекту гриля продукти слід перевертати в процесі приготування.
- Відкрийте дверці, переверніть продукти, закрийте дверці і натисніть на кнопку (16) «Старт / Швидкий старт» для продовження приготування продуктів.

УКРАЇНЬСКА

ПРИГОТУВАННЯ ПРОДУКТІВ У РЕЖИМІ «ГРИЛЬ»

1. Відкрийте дверці печі, помістіть продукти в робочу камеру, закрийте дверці.

Примітка

- При необхідності використовуйте решітку для гриля (9), встановивши її на скляний піддон (5).
2. Натискаючи на кнопку (12) «Гриль/Комбі/Конвекція» виберіть режим «G». На дисплеї з'явиться символ режиму «Гриль» (26).
 3. Встановіть час приготування, повертаючи ручку (17). На дисплеї відобразиться час, що встановлюється.
 4. Натисніть кнопку (16) «Старт / Швидкий старт», щоб почати приготування, на дисплеї почнеться відлік часу, що залишився, і засвітиться піктограма режиму «Гриль» (27).
 5. Після закінчення режиму приготування продуктів піч вимкнеться, на дисплеї (10) засвітиться надпис «End» і прозвучать три звукових сигнали.

Примітка

- Для отримання найкращого ефекту гриля продукти слід перевертати в процесі приготування.
- Відкрийте дверці, переверніть продукти, закрийте дверці і натисніть на кнопку (16) «Старт / Швидкий старт» для продовження приготування продуктів. Але ви можете і не перевертати продукти.

ПРИГОТУВАННЯ ПРОДУКТІВ У РЕЖИМІ «ГРИЛЬ/КОМБІ»

1. Відкрийте дверці печі, помістіть продукти в робочу камеру, закрийте дверці.
2. Послідовно натискаючи кнопку (12) «Гриль/Комбі/Конвекція» виберіть один з двох режимів комбінованого приготування. На дисплеї відобразиться обраний вами режим «G-1» або «G-2» і символи (22) і (26).

Варіанти комбінованого приготування

Табл. 4

Режим	Потужність печі	Потужність гриля
G-1	30%	70%
G-2	55%	45%

3. Поворотом ручки (17) установіть час приготування. На дисплеї відобразиться час, що встановлюється.
4. Натисніть кнопку (16) «Старт / Швидкий старт», щоб почати приготування, на дисплеї почнеться відлік часу, що залишився, і засвітиться піктограма режиму приготування (21).
5. Після закінчення режиму приготування продуктів піч вимкнеться, на дисплеї (10) засвітиться надпис «End» і прозвучать три звукових сигнали.

Примітка

- Для отримання найкращого ефекту гриля продукти слід перевертати в процесі приготування.
- Відкрийте дверці, переверніть продукти, закрийте дверці і натисніть на кнопку (16) «Старт /

Швидкий старт» для продовження приготування продуктів.

УВАГА! У режимах «гриль/комбі» (G1 та G2), і у режимах «конвекція/комбі» (C1 та C2) забороняється використовувати решітку для гриля (9).

Розморожування продуктів за вагою

Відкрийте дверці печі, помістіть продукти в робочу камеру, закрийте дверці.

1. Повертаючи ручку (17), виберіть один з трьох режимів розморожування, на дисплеї з'являться символи (28) та (29).

Режими розморожування

Табл. 5

Режим	Продукт	Вага, кг
d-1	м'ясо	Від 0,1 до 2,0.
d-2	Птиця	Від 0,2 до 3,0.
d-3	морепродукти	Від 0,1 до 0,9.

2. Натисніть на кнопку (16) «Старт / Швидкий старт» для підтвердження вибору режиму розморожування, на дисплеї з'являться піктограма (19).
3. Встановіть вагу продуктів, повертаючи ручку (17). Ви можете ввести вагу продуктів залежно від обраного режиму розморожування.
4. Натисніть кнопку (16) «Старт / Швидкий старт» для початку процесу розморожування продуктів. На дисплеї почнеться відлік часу, що залишився, і засвітиться піктограма режиму розморожування (30).
5. Після закінчення режиму приготування продуктів піч вимкнеться, на дисплеї (10) засвітиться надпис «End» і прозвучать три звукових сигнали.

РЕЖИМИ АВТОМАТИЧНОГО ПРИГОТУВАННЯ

Ви можете вибрати один з наступних автоматичних режимів, встановивши відповідний режим, послідовно натискаючи на кнопку (13):

Табл. 6

Меню	Вага продукту	Показання дисплея
A-1 «Макарони»	100 г (і 300 мл холодної води)	0,1
	200 г (і 600 мл холодної води)	0,2
	300 г (і 900 мл холодної води)	0,3
A-2 «Овочі»	200 г	0,2
	300 г	0,3
	400 г	0,4
	500 г	0,5
	600 г	0,6
	700 г	0,7
800 г	0,8	

A-3 «Заморожені овочі»	200 г	0,2
	300 г	0,3
	400 г	0,4
	500 г	0,5
	600 г	0,6
	700 г	0,7
A-4 «Попкорн»	80 г	3
	100 г	3,5
A-5 «Напої»	250 мл	250
	500 мл	500
A-6 «Картопля»	450 г	0,45
	650 г	0,65
A-7 «Піца»	150 г	-
A-8 «Риба»	450 г	-

Примітка:

Режим A-7 призначений для розігрівання 150 г піци.

Режим A-8 призначений для приготування риби.

Приклад: приготувати овочі вагою 300 г:

- Відкрийте дверці печі, помістіть продукти в робочу камеру, закрийте дверці.
- Послідовними натисненнями кнопки (13) виберіть режим приготування овочів, на дисплеї відобразиться номер автоматичного режиму «A-2» і символ режиму автоматичного приготування продуктів (28).
- Поворотом ручки (17) виберіть потрібну вагу продуктів (300 г), що відобразиться на дисплеї.
- Натисніть кнопку (16) «Старт / Швидкий старт» для початку автоматичного приготування продуктів. Час приготування буде задано автоматично, на дисплеї буде відображатися час приготування, що залишився, і піктограма (21).
- Після закінчення режиму приготування продуктів піч вимкнеться, на дисплеї (10) засвітиться надпис «End» і прозвучать три звукових сигнали.

БАГАТОЕТАПНЕ ПРИГОТУВАННЯ

Ця піч дозволяє готувати їжу у декількох етапів (до 4 послідовних етапів).

Примітка

- Автоматичний режим приготування не може бути встановлен в якості одного з етапів приготування.

Наприклад, вам необхідно розморозити продукти в мікрохвильовому режимі з рівнем потужності 80% протягом 5 хвилин, а потім приготувати їх в режимі «Гриль» протягом 7 хвилин. Для цього зробіть наступне:

- Відкрийте дверці печі, помістіть продукти в робочу камеру, закрийте дверці.

- Натисніть кнопку (11) «Мікрохвилі», прозвучить звуковий сигнал, на дисплеї з'явиться символ мікрохвильового режиму приготування (22) і засвітиться піктограма піктограма (23).
- Для вибору необхідного рівня потужності натискуйте кнопку (11) «Мікрохвилі».
- Повертаючи ручку (17) встановіть час (тривалість) 5:00 хвилин.
- Натискуючи кнопку (12) «Гриль/Комбі/Конвекція»** виберіть режим «G». На дисплеї з'явиться символ режиму «Гриль» (26).
- Встановіть час приготування 7:00 хвилин, повертаючи ручку (17). На дисплеї відобразиться час, що встановлюється.
- Натисніть кнопку (16) «Старт / Швидкий старт» для початку багатоетапного приготування продуктів.
- Після закінчення першого етапу приготування вимкнеться другий режим приготування продуктів, при цьому на дисплеї (10) будуть відображатися символ (26) і піктограма (27) і почнеться відлік часу приготування продуктів, що залишився, у режимі «гриль».
- Після закінчення режиму приготування продуктів піч вимкнеться, на дисплеї (10) засвітиться надпис «End» і прозвучать три звукових сигнали.

УСТАНОВЛЕННЯ ЧАСУ ПОЧАТКУ ПРИГОТУВАННЯ

Установіть бажану програму приготування продуктів, наприклад, приготувати продукти за 7 хвилин при потужності **80%**:

- Відкрийте дверці печі, помістіть продукти в робочу камеру, закрийте дверці.
- Натискуючи кнопку (11) виберіть потужність **80%**, на дисплеї (10) відобразяться символи «P80», засвітиться символ (22) і піктограма (23).
- Повертаючи ручку (17) встановіть час (тривалість) 7:00 хвилин.
- Натисніть кнопку (14) «Годинник/Предустановка», цифри годин будуть блимати.
- Поворотом ручки (17) установіть години в інтервалі від **0** до **23**.
- Натисніть кнопку (14) «Годинник/Предустановка» для підтвердження, цифри хвилин будуть блимати.
- Поворотом ручки (17) установіть хвилини в інтервалі від **0** до **59**.
- Натисніть кнопку (14) «Годинник/Предустановка» для підтвердження, ви почуєте звуковий сигнал, піктограма (20) буде блимати, а символ (22) і піктограма (23) будуть світитися на дисплеї.
- Після досягнення встановленого часу ви почуєте звуковий сигнал, і почнеться процес приготування продуктів.
- На дисплеї буде відобразитися час приготування, що залишився.
- Після закінчення режиму приготування продуктів піч вимкнеться, на дисплеї (10) засвітиться надпис «End» і прозвучать три звукових сигнали.

УКРАЇНЬСКА

Примітка

- Поточний час має установлюватися перед установленням програми початку приготування продуктів.
- Щоб дізнатися встановлений час початку приготування продуктів, натисніть кнопку (14) «Годинник / Предустановка», час початку приготування буде показаний на дисплеї (10) протягом 2-3 секунд.

ФУНКЦІЯ БЛОКУВАННЯ ВІД ДІТЕЙ

- Блокування: натисніть і утримуйте кнопку (15) «Стоп / Скасування» протягом трьох секунд, прозвучить звуковий сигнал, і на дисплеї з'явиться надпис «OFF».
- Відміна блокування: у режимі блокування натисніть і утримуйте кнопку (15) «Стоп / Скасування» протягом трьох секунд, прозвучить звуковий сигнал і надпис «OFF» зникне.

ЧИЩЕННЯ ТА ДОГЛЯД

- Перед чищенням вимкніть піч і витягніть вилку мережевого шнура з електричної розетки.
- Не допускайте попадання вологи на панель управління. Протріть панель управління м'якою, злегка вологою серветкою, після чого витріть досуха.
- Тримайте робочу камеру печі в чистоті. Якщо на стінках печі залишилися шматочки продуктів або патьоки рідини, ретельно видаліть їх вологою серветкою.
- При сильному забрудненні корпусу печі і робочої камери можна використовувати м'який миючий засіб.

- Не користуйтеся абразивними миючими засобами або дратяними щітками для чищення печі зовні і усередині робочої камери.
- Стежте за тим, щоб вода або миючий засіб не потрапили в отвори, призначені для відведення повітря і пари, які знаходяться на кришці печі.
- Забороняється використовувати миючі засоби на основі аміаку.
- Дверці печі завжди мають бути чистими. Не допускайте скупчування крихт між дверцями і лицьовою панеллю печі, оскільки це перешкоджає нормальному закриттю дверці.
- Регулярно очищайте від пилу і бруду вентиляційні отвори на корпусі печі, через які надходить повітря для її охолодження. Для очищення вентиляційних отворів можна скористатися пилососом з відповідною насадкою.
- Регулярно знімайте і чистить скляний піддон, його опору та роликів кільце; регулярно протирайте дно робочої камери печі.
- Скляний піддон та роликів кільце мийте теплою водою з додаванням нейтрального миючого засобу, після чого обполосніть та протріть досуха.
- Не опускайте нагрітий скляний піддон в холодну воду, із-за різкого перепаду температур скляний піддон може лопнути.
- Для видалення неприємних запахів в робочій камері поставте в піч чашку води з додаванням лимонного соку і прокип'ятіть її протягом декількох хвилин. Ретельно протріть стінки робочої камери м'якою серветкою.

НЕСПРАВНОСТІ І МЕТОДИ ЇХ УСУНЕННЯ

Мікрохвильова піч створює перешкоди прийому теле- і радіосигналів	Під час роботи мікрохвильової печі можуть виникати перешкоди при прийомі теле- і радіосигналів. Аналогічні перешкоди створюються при роботі невеликих електроприладів, таких як міксер, пилосос і електричний фен. Це нормальне явище.
Скупчення пари на дверцятах, вихід гарячого повітря з вентиляційних отворів	В процесі приготування продуктів волога, яка міститься в них, перетворюється в пару, пара буде виходити з вентиляційних отворів і може конденсуватися на внутрішній стороні дверці, спричиняючи її запотівання. Це нормальне явище.
Мікрохвильова піч включена без завантажених продуктів	Включення мікрохвильової печі на короткий час без завантажених продуктів не викличе її поломки. Завжди перевіряйте наявність продуктів в печі перед її включенням.

Усунення несправностей

Несправність	Можлива причина	Спосіб усунення
Піч не включається.	Вилка мережевого кабелю недостатньо щільно вставлена в електричну розетку.	Витягніть вилку з електричної розетки. Через 10 секунд вставте вилку назад в розетку.
	Проблема з мережевою розеткою.	Для перевірки спробуйте увімкнути в ту ж розетку інший електроприлад.
Відсутній нагрів	Нещільно закриті дверці	Щільно закрийте дверцята
Під час роботи печі скляний піддон, що обертається, видає сторонні шуми	Забруднено роликів кільце або нижня частина робочої камери	Зніміть скляний піддон і роликів кільце. Промийте роликів кільце і днище робочої камери

Технічні параметри і характеристики

Умови експлуатації:

Температура повітря	від +10°C до +35°C
Відносна вологість повітря	35-80%
Атмосферний тиск	86-106 кПа (650–800 мм.рт.ст)

Основні параметри

Електроживлення	220-240 В ~ 50 Гц
Номинальна мікрохвильова потужність	900 Вт
Номинальна споживана потужність в режимі мікрохвиль	1400 Вт
Номинальна споживана потужність в режимі гриля	1000 Вт
Номинальна споживана потужність в режимі конвекції	1300 Вт
ККД (%) НВЧ	55%
Робоча частота	2450 ± 49 МГц
Об'єм камери	28 л
Діаметр скляного піддону	315 мм
Габаритні розміри, не більш	518x324x440 мм
Маса нетто	Приблизно 17,5 кг

Комплектність

Піч	1 шт.
Скляний піддон	1 шт.
Роликове кільце	1 шт.
Опора скляного піддону	1 шт.
Решітка для гриля	1 шт.
Інструкція з експлуатації	1 шт.
Гарантійний талон	1 шт.
Книга рецептів для мікрохвильової печі	1 шт.
Індивідуальна тара	1 шт.

Виробник зберігає за собою право змінювати дизайн і технічні характеристики пристрою без попереднього повідомлення

Термін служби пристрою – 5 років

Гарантія

Докладні умови гарантії можна отримати в дилера, що продав дану апаратуру. При пред'явленні будь-якої претензії протягом терміну дії даної гарантії варто пред'явити чек або квитанцію про покупку.

БЕЛАРУСКАЯ

МІКРАХВАЛЕВАЯ ПЕЧ

Перад пачаткам эксплуатацыі электрапрыбора ўважліва прачытайце дадзеную інструкцыю па эксплуатацыі.

Калі вы будзеце дакладна прытрымлівацца ўсіх указанняў інструкцыі, мікрахвалевае печ беззаганна праслужыць вам многія гады.

Захоўвайце дадзенае Кіраўніцтва ў лёгкадаступным месцы.

Апісанне

1. Зашчэпка дзверцаў печы
2. Назіральнае акно
3. Апора шклянага паддона
4. Ролікавае кольца
5. Шкляны паддон
6. Месца выхада ЗВЧ-хваль
7. Панэль кіравання
8. Сістэма блакавання дзверцы печы
9. Рашотка для грылю

Панэль кіравання

10. Дысплей
11. Кнопка «Мікрахвалі»
12. Кнопка «Грыль/Комбі/Канвекцыя»
13. Кнопка «Аўтаменю»
14. Кнопка «Гадзіннік/Перадустаноўка»
15. Кнопка «Стоп/Адмена»
16. Кнопка «Старт/Хуткі старт»
17. Ручка «Аўта/Размарозка/Час/Вага/Тэмпература»

Дысплей

18. Літарна-лічбавыя знакі / індывідуальны бягучага часу
19. Знак абранай вагі прадукта
20. Піктаграма бягучага часу
21. Піктаграма рэжыму прыгатавання
22. Знак мікрахвалевага рэжыму прыгатавання
23. Піктаграма ўзроўня магнутнасці
24. Знак рэжыму «Канвекцыя»
25. Піктаграма рэжыму «Канвекцыя»
26. Знак рэжыму «Грыль»
27. Піктаграма рэжыму «Грыль»
28. Знак рэжыму аўтаматычнага прыгатавання прадуктаў
29. Знак рэжыму «Размарозка»
30. Піктаграма рэжыму «Размарозка»
31. Знакі тэмпературных рэжымаў

ЎВАГА!

Для дадатковай абароны мэтазгодна ўсталяваць ў электрычную сетку сілкавання кухні прыладу ахоўнага адключэння (ПАА) з намінальным токам спрацоўвання, які не перавышае 30 мА; пры ўсталёўцы трэба звярнуцца да адмыслоўца.

ЗАСЦЯРОГІ, ЯКІЯ НЕАБХОДНА ВЫКОНВАЦЬ, КАБ НЕ ПАДВЯРГАЦА РЫЗЫЦЫ ЎЗДЗЕЯННЯ МІКРАХВАЛЕВАЙ ЭНЕРГІІ

- Забараняецца эксплуатацыя печы з адкрытай дзверцай, бо ўздзеянне мікрахвалевага выпраменьвання ўяўляе небяспеку.

- Не ўносьце змены ў электрычныя ланцугі ахоўных блакаванняў дзверцы печы.
- Не змяшчайце якія-небудзь прадметы паміж корпусам печы і яе дзверцай, старанна выдаляйце забруджванні ці рэшткі мыйнага сродку з унутранай паверхні дзверцы.
- Месца выхада ЗВЧ-хваль (6) зачыненыя слюзяной пласцінай, не ўдаляйце яе і сачыце за яе чысцінёй.
- Не выкарыстоўвайце пашкоджаную печ, асабліва важна, каб дзверца печы належным чынам зачынялася.
- Сачыце за тым, каб не было:
 - пашкоджанняў дзверцы (напрыклад, калі яна пагнута),
 - пашкоджанняў шарніраў і зашчэпак (калі яны зламаны ці паслаблены),
 - пашкоджанняў экраніруючай рашоткі з унутранага боку назіральнага акна.
- Рэгулёўка ці рамонт печы павінны рабіцца толькі адмыслоўцамі аўтарызаванага (упаўнаважанага) сэрвіснага цэнтра.

ВАЖНЫЯ ПРАВИЛЫ БЯСПЕКІ

ЎВАГА! Пры пашкоджанні дзверцаў ці дзвярных завесаў не варта выкарыстоўваць печ датуль, пакуль кампетэнтныя спецыялісты не ўстанавяць узнікшую няспраўнасць!

ЎВАГА! Усе работы па абслугоўванню і рамонту прыбора, звязаныя са здыманнем вечаў, якія забяспечваюць ахову ад уздзеяння мікрахвалевай энергіі, павінны выконвацца толькі спецыялістамі!

ЎВАГА! Вадкасці і іншыя прадукты нельга разгараваць у шчыльна зачыненых ёмістасцях каб пазбегнуць выбуху пакавання!

ЎВАГА! Выкарыстанне печы дзецьмі без нагляду дазваляецца толькі ў тым выпадку, калі ім дадзены адпаведныя і зразумелыя інструкцыі пра бяспечнае карыстанне печчу і небяспеках, якія могуць узнікнуць пры яе няправільнай эксплуатацыі!

ЎВАГА! Каб пазбегнуць небяспекі, пры пашкоджанні сеткавага шнура яго замена павінна праводзіцца ў аўтарызаваным сэрвісным цэнтры.

ЎВАГА! Печ не прызначана для выкарыстання дзецьмі і асобамі з паніжанымі фізічнымі ці разумовымі здольнасцямі, ці пры адсутнасці ў іх досведу ці ведаў, калі яны не знаходзяцца пад кантролем асобы, адказнай за іх бяспеку, ці не атрымалі адпаведных інструкцый пра выкарыстанне печы!

ПАПЯРЭДЖАННЕ: Вонкавыя паверхні печы схільныя да нагрэву падчас працы печы.

ПАПЯРЭДЖАННЕ: Тэмпература ўнутраных паверхняў працоўнай камеры можа быць высокай пры працы прыбора.

ЎВАГА! Пры працы печы ў камбінаваным рэжыме ці ў рэжыме грылю, не дапушчайце дзяцей блізка да печы без нагляду дарослых!

МЕРЫ БЯСПЕКИ

Перад пачаткам эксплуатацыі печы ўважліва прачытайце дадзеную інструкцыю па эксплуатацыі і захавайце яе для выкарыстання ў якасці даведкавага матэрыялу.

Выкарыстоўвайце прыладу толькі па яе прамым прызначэнні, як выкладзена ў дадзенай інструкцыі. Няправільны зварот з прыладай можа прывесці да яе паломкі, прычыніць шкоду карыстачу ці яго маёмасці. Каб пазбегнуць апёкаў, паражэння электрычным токам, пажару, уздзеяння ўцэчкі мікрахвалевага выпраменьвання і прычынення шкоды здароўю выконвайце наступныя рэкамендацыі:

- Перад першым уключэннем печы пераканайцеся ў тым, што напружанне ў электрычнай сетцы адпавядае напружанню, паказанаму на корпусе прылады.
- Выкарыстоўвайце мікрахвалевую печ толькі па яе прамым прызначэнні, як выкладзена ў дадзенай інструкцыі.
- Мікрахвалевая печ прызначана для прыгатавання ежы і разагрывання гатовых страў.
- Не ўключайце печ без прадуктаў.

У пазбяганне рызыкі ўзгарання ў працоўнай камеры печы выконвайце наступныя правілы:

- Пры разагрыванні ежы ў пластыкавым ці папяровым пакаванні сачыце за працэсам разагрывання, каб не дапусціць узгарання пакавання;
- Перш, чым змясціць у печ папяровыя ці пластыкавыя пакеты, выдаліце з іх драцяныя закруткі (фіксатары).
- Калі адбылося ўзгаранне ўсярэдзіне печы, неадкладна выключыце яе, адлучыце ад электрычнай сеткі і пакіньце дзверцу зачыненай, каб не даць агню распаўсюдзіцца;
- Не выкарыстоўвайце працоўную камеру печы для захоўвання якіх-небудзь прадметаў, не пакідайце ў ёй паперу ці прадукты.
- Прылада не прызначана для ўключэння вонкавым таймерам ці асобнай сістэмай дыстанцыйнага кіравання.
- Посуд папярэдне праверце на прыдатнасць для выкарыстання ў мікрахвалевай печы.
- Посуд можа моцна нагрывацца, атрымліваючы цяпло ад прадуктаў, якія гатуюцца, таму неабходна карыстацца кухоннымі рукавіцамі ці прыхваткамі.
- Будзьце асцярожныя, калі вымаеце посуд з печы, бо бурнае закіпанне вадкасці можа адбывацца ўжо пасля завяршэння іх разагрывання ў мікрахвалевай печы.
- Прылада прызначана толькі для прыгатавання/ разагрывання прадуктаў і напояў. Сушка адзежы ці падагрэў розных прадметаў бытавога

прызначэння можа прывесці да пашкоджання печы, узгарання размешчаных ў печы прадметаў і да пажару.

- Забараняецца гатаваць і разагрываць у мікрахвалевай печы яйка ў шкарлупіне і яйкі, звараныя ўкрутую, бо яны могуць падарвацца з-за павышэння ўнутранага ціску.
- Бутэлеккі для кармлення і банкі з дзіцячым харчаваннем варта змяшчаць у печ без вёчкаў і сосак. Змесціва трэба змешваць ці перыядычна падтрасаць. Перад кармленнем дзіцяці неабходна праверыць тэмпературу змесціва баначкі ці бутэлеккі, каб не дапусціць апёкаў.
- Ніколі не пакідайце працуючую прыладу без нагляду.
- З меркаванняў бяспекі дзяцей не пакідайце поліэтыленавыя пакеты, якія выкарыстоўваліся ў якасці пакавання, без нагляду.
- **Ўвага! Не дазваляйце дзецям гуляць з поліэтыленавымі пакетамі ці пакавальнай плёнкай. Небяспека ўдушша!**
- Будзьце асабліва ўважлівыя, калі побач з прыладай, якая працуе, знаходзяцца дзеці ці асобы з абмежаванымі магчымасцямі.
- Прылада не прызначана для выкарыстання дзецьмі і людзьмі з абмежаванымі магчымасцямі. У выключных сітуацыях асоба, якая адказвае за іх бяспеку, павінна даць адпаведныя і зразумелыя інструкцыі пра бяспечнае карыстанне прыладай і тых небяспеках, якія могуць узнікаць пры яе няправільным выкарыстанні.
- Не зачыняйце вентыляцыйныя адтуліны на корпусе мікрахвалевай печы.
- Не ўсталёўвайце мікрахвалевую печ ўнутр кухонных скрынь, шафаў і на паліцы, якія не забяспечваюць добрую вентыляцыю.
- Не апускайце сеткавы шнур і вілку сеткавага шнура ў вадку ці ў любыя іншыя вадкасці.
- Пазбягайце кантакту сеткавага шнура і вілкі сеткавага шнура з гарачымі паверхнямі і вострымі краямі мэблі.
- Пры адключэнні вілкі сеткавага шнура ад электрычнай разеткі трымайцеся за вілку сеткавага шнура, а не за сеткавы шнур.
- Не бярэцеся за вілку сеткавага шнура мокрымі рукамі, гэта можа прывесці да паражэння электрычным токам.
- Не выкарыстоўвайце мікрахвалевую печ, калі пашкоджаны сеткавы шнур ці вілка сеткавага шнура, калі печ працуе з перабоямі, а таксама пасля яе падзення.
- Каб пазбегнуць паражэння электрычным токам, забараняецца самастойна разбіраць і рамантаваць печ, пры выяўленні няспраўнасці звяртайцеся толькі ў аўтарызаваны (упаўнаважаны) сэрвісны цэнтр.

ПРЫЛАДА ПРЫЗНАЧАНА ТОЛЬКІ ДЛЯ БЫТАВОГА ВЫКАРЫСТАННЯ

БЕЛАРУСКАЯ

УКАЗАННІ ПА ЗАЗЯМЛЕННУ ПЕЧЫ

- Мікрахвалевае печ павінна мець надзейнае зазямленне. У выпадку якога-небудзь унутранага замыкання зазямленне змяняе рызык удару электратокам, бо ток сыхдзе па зазямляльным провадзе. У мікрахвалевай печы выкарыстоўваюцца сеткавы шнур з зазямляльным провадам і сеткавая вілка з кантактам зазямлення.
- Вілка падлучаецца да электрасеткавай разетки, якая таксама павінна мець кантакт зазямлення.

Папярэджанне:

- Выкарыстанне сеткавай вілкі з кантактам зазямлення, уключаным у электрычную разетку без кантакту зазямлення, можа прывесці да рызыкі атрымання ўдару электратокам.
- Пракансультауйцеся з кваліфікаваным электрыкам, калі вам патрэбны інструкцыі па зазямленні печы ці існуюць сумненні, што мікрахвалевае печ надзейна заземлена.
- У мэтах прадудзілення забытвання сеткавага шнура мікрахвалевае печ забяспечана кароткім сеткавым шнуром.
- Пры неабходнасці выкарыстання падаўжальніка выкарыстоўвайце толькі 3-правадны падаўжальнік з кантактам зазямлення на сеткавай вілцы і з кантактам зазямлення ў электрычнай разеткі.
- Маркіроўка перасеку правадоў сеткавага шнура мікрахвалевай печы і маркіроўка на сеткавым шнуре падаўжальніка павінны супадаць.
- Сеткавы шнур падаўжальніка не павінен звісаць з краёў стала, дзе за яго могуць пацягнуць дзеці, і ён павінен быць пракладзены такім чынам, каб выключыць хаджэнне па ім.

АГУЛЬНЫЯ ПРАВИЛЫ ПРЫГАТАВАННЯ ПРАДУКТАЎ У ЗВЧ-ПЕЧАХ

ПАПЯРЭДЖАННЕ: *Перад разаграваннем ці прыгатаваннем прадуктаў у герметычным ці вакуумным пакаванні не забудзьцеся выкрыць яго. У адваротным выпадку ў упакоўцы створыцца ціск, які можа яе разарваць.*

- Забараняецца гатаваць і разагравальваць у мікрахвалевай печы яйка ў шкарлупіне і яйкі, зваранія ўкрутую, бо яны могуць падарвацца з-за павышэння ўнутранага ціску. Перад прыгатаваннем тоўстую лупіну прадуктаў (напрыклад, бульбы, кабачкоў ці яблыкаў) праколвайце ў некалькіх месцах.
- Бутэлеккі для кармлення і банкі з дзіцячым харчаваннем варта змяшчаць у печ без вечаў і сосак. Змесціва трэба змешваць ці перыядычна падтрасаць. Перад кармленнем неабходна правесці тэмпературу змесціва, каб не дапусціць апёкаў.
- Пры гатаванні бекону не кладзіце яго непасрэдна на шклянны паддон, месны перагрэў шкляннага паддона можа прывесці да з'яўлення ў ім расколін.

- Падчас гатавання прадуктаў выкарыстоўвайце посуд, прызначаны для мікрахвалевых печаў, устанаўлівайце яго на шклянны паддон.
- Для раўнамернага прагрэву прадуктаў змяшчайце таўсцейшыя кавалкі прадуктаў бліжэй да краёў посуду.
- Сачыце за працягласцю гатавання прадуктаў. Усталюйце найменшую працягласць прыгатавання прадуктаў, пры неабходнасці можна павялічыць час прыгатавання.
- Не перавышайце працягласць прыгатавання прадуктаў, бо гэта можа прывесці да іх узгарання.
- Гатуйце прадукты пад вечкам, прыдатным да выкарыстання ў мікрахвалевых печах. Вечка прадудзіць распырскванне соку ці тлушчу і дапаможа прадуктам гатавацца раўнамерна.
- Для паскарэння працэсу гатавання адзін раз перавярніце прадукты хуткага гатавання, напрыклад, гамбургеры. Вялікія кавалкі мяса варта пераварочваць падчас гатавання мінімум двойчы.
- Падчас гатавання перамешвайце прадукты, перамяшчаючы іх зверху ўніз і ад цэнтра да краёў посуду.

РЭКАМЕНДАЦЫІ ПА ВЫБАРУ ПОСУДУ

- Ідэальны матэрыял посуду для мікрахвалевых печаў павінен быць «празрыстым» для мікрахваляў, гэта дазваляе іх энергіі праходзіць праз посуд і разагравальваць прадукты.
- Мікрахвалі не могуць пранікаць скрозь метал, таму металічны посуд ці талеркі з металічным аздабленнем выкарыстоўваць у ЗВЧ-печы забараняецца.
- Нельга змяшчаць у печ прадметы, вырабленыя з паўторна выкарыстоўванай паперы, бо яна можа ўтрымоўваць укрэплены метал, якія могуць стаць чыннікам узгарання пакавання.
- Круглы і авальны посуд пераважней для выкарыстання ў мікрахвалевай печы, чым прастакутны.
- Не выкарыстоўвайце посуд са сколамі і расколінамі.

ПРАВЕРКА ПОСУДУ ПЕРАД ВЫКАРЫСТАННЕМ ЯГО ў ЗВЧ-ПЕЧЫ

- Усталюйце выпрабавальны посуд у працоўную камеру печы (напрыклад, талерку), пастаўце на яе шклянны стакан з халоднай вадай.
- Уключыце мікрахвалевую печ на максімальную магутнасць і ўстанавіце час працы не больш за 1 хвіліну.
- Акуратна дакраніцеся да падыспытнага посуду, калі ён нагрэўся, а вада ў шклянцы халодная, то выкарыстоўваць такі посуд для прыгатавання прадуктаў у мікрахвалевай печы нельга.
- Пазбягайце перавышэння часу выпрабавання больш за 1 хвіліну.

Матэрыялы і посуд, прыдатныя для выкарыстання ў мікрахвалевай печы

Посуд для смажання	Прытрымлівайцеся ўказанняў вытворцы. Дно посуду для смажання павінна быць на 5 мм таўсцей, чым у шклянога паддона. Няправільнае выкарыстанне посуду для смажання можа прывесці да з'яўлення расколін у самім посудзе і ў шкляным паддоне.
Абедзены посуд	Можна выкарыстоўваць толькі той абедзены посуд, які мае адпаведную маркіроўку. Прытрымлівайцеся ўказанняў вытворцы посуду. Не выкарыстоўвайце посуд з расколінамі ці сколамі.
Шклянныя ёмістасці	Можна выкарыстоўваць толькі тыя шклянныя ёмістасці, якія зроблены з гарачатрывалага шкла. Пераканайцеся ў адсутнасці металічных абадкаў. Не выкарыстоўвайце ёмістасці з расколінамі ці сколамі.
Посуд са шкла	Можна выкарыстоўваць толькі такія шклянныя посуд, які зроблен з гарачатрывалага шкла. Пераканайцеся ў адсутнасці металічных абадкаў. Не выкарыстоўвайце посуд з расколінамі ці сколамі.
Адмысловыя мяшкі для прыгатавання прадуктаў у мікрахвалевай печы	Прытрымлівайцеся ўказанняў вытворцы. Не закрывайце мяшкі з выкарыстаннем металічных закрутак ці перацяжак. У мяшках неабходна зрабіць некалькі адтулін для выхаду пары.
Папяровыя талеркі і кубкі	Папяровыя талеркі і кубкі можна выкарыстоўваць толькі для кароткачасовага гатавання/падагрэву. Не пакідайце мікрахвалеваю печ без нагляду падчас гатавання/разагравання прадуктаў у такім посудзе.
Папяровыя ручнікі	Папяровым ручніком можна накрыць прадукты, якія гатуюцца, для ўтрымання цяпла ў іх і для прадухілення распырсквання тлушчу. Выкарыстоўвайце папяровыя ручнікі толькі пры пастаянным кантролі і толькі для кароткачасовага гатавання/падагрэву.
Пергаментная папера	Выкарыстоўвайце пергаментную паперу ў мэтах прадухілення распырсквання тлушчу ці ў якасці абгорткі.
Пластык	Выкарыстоўваць толькі тыя вырабы з пластыка, якія маюць адпаведную маркіроўку: „Прыдатна для мікрахвалевай печы“. Прытрымлівайцеся ўказанняў вытворцы. Некаторыя пластыкавыя ёмістасці могуць размягчыцца ў выніку нагрэву прадуктаў, якія ў іх змяшчаюцца. Герметычна зачыненыя пластыкавыя пакеты неабходна пракалоць ці прарэзаць, як паказана на саміх упакоўках.
Пластыкавая абгортка	Выкарыстоўваць толькі тыя вырабы з пластыка, якія маюць адпаведную маркіроўку.
Васковая папера	Выкарыстоўвайце васковую паперу для прадухілення распырсквання тлушчу, а таксама для захавання вільгаці.

Матэрыялы і посуд, непрыдатныя для выкарыстання ў мікрахвалевай печы

Алюмініевыя падносы і фальга	Алюмініевыя падносы і фальга могуць выклікаць іскрэнне. Карыстайцеся посудам, адмыслова прызначаным для выкарыстання ў мікрахвалевай печы.
Кардонны кубак з металічнай ручкай	Кардонны кубак з металічнай ручкай можа выклікаць іскрэнне. Карыстайцеся посудам, адмыслова прызначаным для выкарыстання ў мікрахвалевай печы.
Посуд металічны ці посуд з металічным вободам	Метал экраніруе энергію мікрахвалі. Металічны вобад можа выклікаць іскрэнне.
Металічныя закруткі	Металічныя закруткі могуць выклікаць іскрэнне, а таксама ўзгаранне ўпакоўкі падчас гатавання/разагравання прадуктаў.
Папяровыя пакеты	Папяровыя пакеты могуць выклікаць узгаранне ў мікрахвалевай печы.
Мыла	Мыла можа расплавіцца і выклікаць забруджванне працоўнай камеры мікрахвалевай печы.
Дрэва	Драўляны посуд можа высахнуць, растрэскацца і ўзгарэцца.

БЕЛАРУСКАЯ

ЗБОРКА МІКРАХВАЛЕВАЙ ПЕЧЫ

Пасля захоўвання мікрахвалевай печы пры нізкіх тэмпературах ці пасля транспартавання печы ў зімовых умовах уключаць яе можна не раней, чым праз 2 гадзіны знаходжання пры пакаёвай тэмпературы ў распакаваным выглядзе.

- Выдаліце пакавальны матэрыял і аксэсуары з працоўнай камеры печы.
- Агледзьце мікрахвалеваю печ на прадмет якіх-небудзь пашкоджанняў. Асабліва ўважліва правярце спраўнасць дзверцаў печы. Калі вы выявілі якую-небудзь няспраўнасць, не ўсталёўвайце і не ўключайце мікрахвалеваю печ.

Ахоўнае пакрыццё

Корпус: Калі на корпусе маецца ахоўная плёнка, зніміце яе з паверхні корпуса.

Не выдаляйце светла-шэрую лушчаную пласціну ўсярэдзіне працоўнай камеры ў месцы выйсця СВЧ-хвалі (6), што прызначана для абароны магнетрона.

Усталёўка шклянога паддона

- Усталюйце апору шклянога паддона (3) у адтуліну, размешчаную ў днішчы працоўнай камеры.
- Устанавіце ролікавае кальцо (4) на дно працоўнай камеры.
- Акуратна ўсталюйце шклянны паддон (5) на ролікавае кольца (4), сумясціўшы выступы на ім з пазамі апоры (3).
- Ніколі не ўсталёўвайце шклянны паддон ніжняй часткай угару.
- Не перашкаджайце кручэнню шклянога паддона падчас працы печы.
- Падчас прыгатавання прадуктаў заўсёды выкарыстоўвайце шклянны паддон (5), апору (3) і ролікавае кольца (4).
- Посуд для прыгатавання прадуктаў заўсёды неабходна ставіць толькі на шклянны паддон (5).
- Шклянны паддон (5) можа круціцца па гадзіннікавай ці супраць гадзіннікавай стрэлкі.
- Пры ўзнікненні трэшчын ці сколаў на шклянным паддоне (5) неадкладна спыніце карыстанне печу і змяніце паддон.

ЭКСПЛУАТАЦЫЯ

Перад уключэннем печы пераканайцеся, што напруга ў электрычнай сетцы адпавядае напрузе, паказанай на корпусе прылады.

УСТАНОВКА БЯГУЧАГА ЧАСУ

Пры ўключэнні мікрахвалевай печы ў сетку загарыцца дысплей (10), прагучыць гукавы сігнал і на дысплей адлюструюцца міргаючыя радзяляльныя кропкі «:». Вы можаце ўсталяваць бягучы час у дыяпазоне **0:00 - 23:59**.

1. Націсніце кнопку (14) «**Гадзіны/Перадустаноўка**», на дысплей адлюструюцца міргаючыя лічбы «0:» і загарыцца піктаграма (20).
2. Паваротам ручкі (17) усталюйце лічбавае значэнне гадзін.
3. Націсніце кнопку (14) «**Гадзіны/Перадустаноўка**», на дысплей адлюструюцца міргаючыя лічбы «:00».
4. Паваротам ручкі (17) устанавіце лічбавае значэнне хвілін.
5. Націсніце кнопку (14) «**Гадзіны/Перадустаноўка**», каб скончыць усталёўку часу. Прагучыць 1 гукавы сігнал, на дысплей адлюструецца зададзены час, піктаграма (20) будзе гарэць і раздзяляльныя кропкі «:» будуць мігаць.

Нататка

- Калі пасля ўключэння мікрахвалевай печы ў электрычную сетку лічбавыя значэнні часу не ўведзены, то бягучы час не будзе адлюстроўвацца на дысплей (10).
- Калі пасля націску кнопкі (14) не адбылося ніякіх дзеянняў, то па заканчэнні 10 секунд на дысплей аўтаматычна ўсталююцца сведчанні «0:00».

ПРЫГАТАВАННЕ ПРАДУКТАЎ Ў МІКРАХВАЛЕВАЙ ПЕЧЫ

Абярэце ўзровень магутнасці мікрахвалевай печы і ўсталюйце час працы.

1. Адкрыйце дзверцу печы, змясціце прадукты ў працоўную камеру, зачыніце дзверцу.
2. Націсніце кнопку (11) «**Мікрахвалі**», прагучыць гукавы сігнал, на дысплей з'явіцца знак мікрахвалевага рэжыму прыгатавання (22) і загарыцца піктаграма (23).
3. Для выбару неабходнага ўзроўня магутнасці націскайце кнопку (11) «**Мікрахвалі**». На дысплей будуць адлюстроўвацца наступныя рэжымы магутнасці:

Табл. 1

Колькасць націскаў	Малюнак на дысплей	Магутнасць печы
1	100P	100%
2	80P	80%
3	60P	60%
4	40P	40%
5	20P	20%

4. Паваротам ручкі (17) усталюйце працягласць прыгатавання прадуктаў. На дысплей (10) адлюструецца працягласць прыгатавання, якая ўсталёўваецца.

Нататка

- Вы можаце ўсталяваць працягласць прыгатавання ў дыяпазоне «**0:10-60:00**» з крокам, паказаным у табліцы.

Табл. 2

Інтэрвал часу	Крок усталёўкі часу
0-5 хв	10 сек
5-10 хв	30 сек
10-60 хв	1 хв

- Націсніце кнопку (16) «Старт/Хуткі старт», каб пачаць гатоўку прадуктаў; на дысплей (10) пачнецца адлік пакінутага часу і загарыцца піктаграма (21)
- Па завяршэнні працэсу прыгатавання прадуктаў печ адключыцца, на дысплей (10) загарыцца надпіс «End» і прагучаць тры гукавыя сігналы.
- Пасля прыгатавання прадуктаў адкрыце дзверцы печы і выміце гатовыя прадукты.

Надатка

- Падчас гатавання прадуктаў можна змяніць час прыгатавання завароткам ручкі (17) ці паўторнымі націскамі кнопкі (16). Крок устаноўкі паказан у табліцы 2.
- Гатоўнасць прадукта можна правесці, адкрыўшы дзверцы печы. Калі прадукт не гатовы, зачыніце дзверцы і націсніце на кнопку (16) «Старт/Хуткі старт» для працягу прыгатавання прадукта.

РЭЖЫМ ХУТКАГА ПРЫГАТАВАННЯ ПРАДУКТАЎ

- Адкрыце дзверцы печы, змясціце прадукты ў працоўную камеру, зачыніце дзверцы.
- Націсніце на кнопку (16) «Старт/Хуткі старт» для пачатку прыгатавання пры поўнай магутнасці на працягу 1 хвіліны.

Надатка: Можна змяніць час прыгатавання прадуктаў завароткам ручкі (17) ці паўторнымі націскамі кнопкі (16) з крокам, паказаным у табліцы 2.

- Па завяршэнні працэсу прыгатавання прадуктаў печ адключыцца, на дысплей (10) загарыцца надпіс «End» і прагучаць тры гукавыя сігналы.
- Пасля прыгатавання прадуктаў адкрыце дзверцы печы і выміце гатовыя прадукты.

ПРЫГАТАВАННЕ ПРАДУКТАЎ У РЭЖЫМЕ «КАНВЕКЦЫЯ»

- Адкрыце дзверцы печы, змясціце прадукты ў працоўную камеру, зачыніце дзверцы.

Надатка

- Пры неабходнасці выкарыстоўвайце рашотку для грылю (9), усталяваўшы яе на шкляны паддон (5).
- Націскаючы кнопку (12) «Грыль/Комбі/Канвекцыя» абярыце рэжым грылю «С». На дысплей з'явіцца знак рэжыму канвекцыі (24).
- Паваротам ручкі (17) усталюйце тэмпературу нагрэву. На дысплей (10) адлюструецца знак аднаго з тэмпературных рэжымаў (31).

Надатка

- У рэжыме «Канвекцыя» даступны наступныя значэнні тэмпературы нагрэву: 100, 140, 180, 200 і 230 оС.

- Націсніце на кнопку (16) «Старт/Хуткі старт», на дысплей (3) з'явіцца надпіс «Pr-H».
- Паваротам ручкі (17) усталюйце час прыгатавання. На дысплей (10) адлюструецца ўсталёваны час.

Надатка: Калі на дысплей гарыць індывідуальны «Pr-H», паўторны націск кнопкі (16) «Старт/Хуткі старт» запусціць рэжым прыгатавання на працягу 15 хвілін

- Націсніце кнопку (16) «Старт/Хуткі старт», каб пачаць гатоўку прадуктаў; на дысплей (10) пачнецца адлік пакінутага часу, загарыцца піктаграма (25) і адлюструюцца знакі тэмпературных рэжымаў (31).
- Па завяршэнні рэжыму прыгатавання прадуктаў печ адключыцца, на дысплей (10) загарыцца надпіс «End» і прагучаць тры гукавыя сігналы.

ПРЫГАТАВАННЕ ПРАДУКТАЎ У РЭЖЫМЕ «КАНВЕКЦЫЯ/КОМБІ»

- Адкрыце дзверцы печы, змясціце прадукты ў працоўную камеру, зачыніце дзверцы.
- Паслядоўна націскаючы кнопку (12) «Грыль/Комбі/Канвекцыя», выбярыце адзін з двух рэжымаў камбінаванага прыгатавання. На дысплей адлюструецца абраны вамі рэжым «С-1» ці «С-2» і знакі (22) і (24).
- Паваротам ручкі (17) усталюйце тэмпературу нагрэву. На дысплей (10) адлюструецца знак аднаго з тэмпературных рэжымаў (31).

Варыянты камбінаванага прыгатавання

Табл. 3

Рэжым	Мікра-хвалі	Канвекцыя	Тэмпература нагрэву, °С
С-1	30%	70%	100, 140, 180
С-2	55%	45%	100, 140, 180

- Націсніце на кнопку (16) «Старт/Хуткі старт», на дысплей (3) з'явіцца надпіс «Pr-H».
- Паваротам ручкі (17) усталюйце час прыгатавання. На дысплей (10) адлюструецца ўсталёваны час.

Надатка: Калі на дысплей гарыць індывідуальны «Pr-H», паўторны націск кнопкі (16) «Старт/Хуткі старт» запусціць рэжым прыгатавання на працягу 15 хвілін

- Націсніце кнопку (16) «Старт/Хуткі старт», каб пачаць гатоўку прадуктаў; на дысплей (10) пачнецца адлік пакінутага часу, загарыцца піктаграма (25) і знакі тэмпературных рэжымаў (31).
- Па завяршэнні рэжыму прыгатавання прадуктаў печ адключыцца, на дысплей (10) загарыцца надпіс «End» і прагучаць тры гукавыя сігналы.

БЕЛАРУСКАЯ

Нататка

- Для атрымання найлепшага эфекту прадукты варта пераварочваць падчас гатоўкі.
- Адкрыйце дзверцы, перавярніце прадукты, зачыніце дзверцы і націсніце на кнопку (16) «Старт/Хуткі старт» для працягу прыгатавання прадуктаў.

ПРЫГАТАВАННЕ ПРАДУКТАЎ У РЭЖЫМЕ

«ГРЫЛЬ»

1. Адкрыйце дзверцу печы, змясціце прадукты ў працоўную камеру, зачыніце дзверцу.

Нататка

- Пры неабходнасці выкарыстоўвайце рашотку для грылю (9), усталяваўшы яе на шклянны паддон (5).
2. Націскаючы кнопку (12) «Грыль/Комбі/Канвекцыя» абярыце рэжым грылю «G». На дысплеі з'явіцца знак рэжыму «Грыль» (26).
 3. Усталюйце час прыгатавання, паварочваючы ручку (17). На дысплеі адлюструецца ўсталёўваны час.
 4. Націсніце кнопку (16) «Старт/Хуткі старт», каб пачаць гатоўку; на дысплеі пачнецца адлік пакінутага часу і загарыцца піктаграма рэжыму «Грыль» (27)
 5. Па завяршэнні рэжыму прыгатавання прадуктаў печ адключыцца, на дысплеі (10) загарыцца надпіс «End» і прагучаць тры гукавых сігналы.

Нататка

- Для атрымання найлепшага эфекту грылю прадукты варта пераварочваць падчас гатоўкі.
- Адкрыйце дзверцы, перавярніце прадукты, зачыніце дзверцы і націсніце на кнопку (16) «Старт/Хуткі старт» для працягу прыгатавання прадуктаў. Але вы можаце і не пераварочваць прадукты.

ПРЫГАТАВАННЕ ПРАДУКТАЎ У РЭЖЫМЕ «ГРЫЛЬ/КОМБІ»

1. Адкрыйце дзверцу печы, змясціце прадукты ў працоўную камеру і зачыніце дзверцу.
2. Паслядоўна націскаючы кнопку (12) «Грыль/Комбі/Канвекцыя», выбярыце адзін з двух рэжымаў камбінаванага прыгатавання. На дысплеі адлюструецца абраны вамі рэжым «G-1» ці «G-2» і знакі (22) і (26).

Варыянты камбінаванага прыгатавання

Табл. 4

Рэжым	Магутнасць печы	Магутнасць грылю
G - 1	30%	70%
G - 2	55%	45%

3. Паваротам ручкі (17) усталюйце час прыгатавання. На дысплеі адлюструецца ўсталёўваны час.
4. Націсніце кнопку (16) «Старт/Хуткі старт», каб пачаць гатоўку; на дысплеі пачнецца адлік пакінутага часу і загарыцца піктаграма рэжыму прыгатавання (21)
5. Па завяршэнні рэжыму прыгатавання прадуктаў печ адключыцца, на дысплеі (10) загарыцца надпіс «End» і прагучаць тры гукавых сігналы.

Нататка

- Для атрымання найлепшага эфекту прадукты варта пераварочваць падчас гатоўкі.
- Адкрыйце дзверцы, перавярніце прадукты, зачыніце дзверцы і націсніце на кнопку (16) «Старт/Хуткі старт» для працягу прыгатавання прадуктаў.

ЎВАГА! У рэжымах «грыль/комбі» (G1 і G2) і у рэжымах «канвекцыя/комбі» (C1 і C2) забараняецца выкарыстоўваць рашотку для грылю (9).

РАЗМАРОЖВАННЕ ПРАДУКТАЎ ПА БАЗЕ

Адкрыйце дзверцу печы, змясціце прадукты ў працоўную камеру, зачыніце дзверцу.

1. Паварочваючы ручку (17) абярыце адзін з рэжымаў размарозкі, на дысплеі з'явіцца знакі (28) і (29).

Рэжымы размарозкі

Табл. 5

Рэжым	Прадукт	Вага, кг
d-1	мяса	ад 0,1 да 2,0
d-2	птушка	ад 0,2 да 3,0
d-3	морапрадукты	ад 0,1 да 0,9

2. Націсніце на кнопку (16) «Старт/Хуткі старт», каб пацвердзіць выбраны рэжым размарозкі, на дысплеі з'явіцца піктаграма (19).
3. Усталюйце вагу прадуктаў, паварочваючы ручку (17). Вы можаце ўвесці вагу прадуктаў ў залежнасці ад абранага рэжыму размарозкі.
4. Націсніце кнопку (16) «Старт/Хуткі старт» для пачатку працэсу размарожвання прадуктаў. На дысплеі пачнецца адлік пакінутага часу і загарыцца піктаграма рэжыму размарозкі (30).
5. Па завяршэнні рэжыму прыгатавання прадуктаў печ адключыцца, на дысплеі (10) загарыцца надпіс «End» і прагучаць тры гукавых сігналы.

РЭЖЫМЫ АўТАМАТЫЧНАГА ПРЫГАТАВАННЯ

Вы можаце абраць адзін з наступных аўтаматычных рэжымаў, усталяваўшы адпаведны рэжым, ппаслядоўна націскаючы кнопку (13):

Табл. 6

Меню	Вага прадукта	Паказанні дысплея
A-1 «Макароны»	100 г (і 300 мл халоднай вады)	0,1
	200 г (і 600 мл халоднай вады)	0,2
	300 г (і 900 мл халоднай вады)	0,3
A-2 «Гародніна»	200 г	0,2
	300 г	0,3
	400 г	0,4
	500 г	0,5
	600 г	0,6
	700 г	0,7
	800 г	0,8
A-3 «Замарожаная гародніна»	200 г	0,2
	300 г	0,3
	400 г	0,4
	500 г	0,5
	600 г	0,6
	700 г	0,7
A-4 «Папкорн»	80 г	3
	100 г	3,5
A-5 «Напой»	250 мл	250
	500 мл	500
A-6 «Бульба»	450 г	0,45
	650 г	0,65
A-7 «Піца»	150 г	-
A-8 «Рыба»	450 г	-

Нататка:

Рэжым A-7 прызначаны для разагравання 150 г піцы.

Рэжым A-8 прызначаны для прыгатавання рыбы.

Прыклад: прыгатаваць гародніну вагай 300 г:

- Адкрыцьце дзверцу печы, змясціце прадукты ў працоўную камеру, зачыніце дзверцу.
- Паслядоўнымі націскамі кнопкі (13) абярыце рэжым прыгатавання гародніны, на дысплеі адлюстравецца нумар аўтаматычнага рэжыму «A-2» і знак рэжыму аўтаматычнага прыгатавання прадуктаў (28).
- Завароткам ручкі (17) абярыце патрэбную вагу прадуктаў (300 г), якая адлюстравецца на дысплеі.
- Націсніце кнопку (16) «Старт/Хуткі старт» для пачатку аўтаматычнага прыгатавання прадуктаў. Час гатоўкі будзе зададзена аўтаматычна, на дысплеі будзе адлюстравана паказанне пакінуты час прыгатавання і піктаграма (21).
- Па завяршэнні рэжыму прыгатавання прадуктаў печ адключыцца, на дысплеі (10) загарыцца надпіс «End» і прагучаць тры гукавыя сігналы.

ШМАТЭТАПНАЕ ПРЫГАТАВАННЕ

Дадзеная печ дазваляе гатаваць ежу ў некалькі этапаў (да 4 паслядоўных этапаў).

Нататка

- Аўтаматычны рэжым прыгатавання не можа быць усталяваны ў якасці ніводнага з этапаў прыгатавання.

Напрыклад, вам неабходна прыгатаваць прадукты ў мікрахвалевым рэжыме з магутнасцю 80% на працягу 5 хвілін, а затым прыгатаваць іх ў рэжыме «Грыль» на працягу 7 хвілін. Для гэтага зрабіце наступнае:

- Адкрыцьце дзверцу печы, змясціце прадукты ў працоўную камеру, зачыніце дзверцу.
- Націсніце кнопку (11) «Мікрахвалі», прагучыць гукавы сігнал, на дысплеі з'явіцца знак мікрахвалевага рэжыму прыгатавання (22) і загарыцца піктаграма (23).
- Для выбару неабходнага ўзроўня магутнасці націскайце кнопку (11) «Мікрахвалі».
- Паварочваючы ручку (17), усталяюць час (працягласць) 5:00 хвілін.

БЕЛАРУСКАЯ

5. Націскаючы кнопку (12) «Грыль/Комбі/Канвекцыя» абярыце рэжым грылю «G». На дысплеі з'явіцца знак рэжыму «Грыль» (26).
6. Усталюйце час прыгатавання 7:00 хвілін, паварочваючы ручку (17). На дысплеі адлюструецца ўсталёваны час.
7. Націсніце кнопку (16) «Старт/Хуткі старт» для пачатку шматэтапнага прыгатавання прадуктаў.
8. Па завяршэнні першага этапу прыгатавання уключыцца другі рэжым прыгатавання прадуктаў, пры гэтым на дысплеі (10) будуча адлюструвацца знак (26) і піктаграма (27) і пачнецца адлік пакінутага часу прыгатавання прадуктаў ў рэжыме «Грыль».
9. Па завяршэнні рэжыму прыгатавання прадуктаў печ адключыцца, на дысплеі (10) загарыцца надпіс «End» і прагучаць тры гукавыя сігналы.

УСТАНОВКА ЧАСУ ПАЧАТКУ ПРЫГАТАВАННЯ

Устанавіце жаданую праграму прыгатавання прадуктаў, напрыклад, прыгатаваць прадукты на працягу 7 хвілін пры магутнасці 80%:

1. Адкрыйце дзверцу печы, змясціце прадукты ў працоўную камеру, зачыніце дзверцу.
2. Націскаючы кнопку (11) «Мікрахвалі», выбярыце магутнасць 80%, на дысплеі (10) адлюструюцца сімвалы «80P», загарыцца знак (22) і піктаграма (23).
3. Паварочваючы ручку (17), усталюйце час (працягласць) 7:00 хвілін.
4. Націсніце і ўтрымлівайце кнопку (14) «Гадзіннік/Перадустаноўка», лічбы гадзін будуць міргаць.
5. Паваротам ручкі (17) устанавіце гадзіны ў інтэрвале ад 0 да 23.
6. Націсніце кнопку (14) «Гадзіннік/Перадустаноўка» для пацверджання, лічбы хвілін будуць міргаць.
7. Паваротам ручкі (17) устанавіце хвіліны ў інтэрвале ад 0 да 59.
8. Націсніце кнопку (14) «Гадзіннік/Перадустаноўка» для пацверджання, вы пачуеце гукавы сігнал, піктаграма (20) будзе міргаць, а знак (22) і піктаграма (23) будуць гарэць на дысплеі.
9. Па дасягненні ўстаноўленага часу вы пачуеце гукавы сігнал, і пачнецца працэс прыгатавання прадуктаў.
10. На дысплеі будзе адлюстроўвацца час прыгатавання, які застаўся.
11. Па завяршэнні рэжыму прыгатавання прадуктаў печ адключыцца, на дысплеі (10) загарыцца надпіс «End» і прагучаць тры гукавыя сігналы.

Нагадка

- Бягучы час павінен устанавівацца перад устаноўкай праграмы пачатку прыгатавання прадуктаў.
- Каб даведацца пра устаноўлены час пачатку прыгатавання прадуктаў, націсніце кнопку (14) «Гадзіннік/Перадустаноўка», час пачатку

прыгатавання будзе паказаны на дысплеі (10) на працягу 2-3 секунд.

ФУНКЦЫЯ БЛАКАВАННЯ АД ДЗЯЦЕЙ

- Блакаванне: націсніце і ўтрымлівайце кнопку (15) «Стоп/Адмена» на працягу трох секунд, прагучыць гукавы сігнал, на дысплеі з'явіцца надпіс «OFF».
- Адмена блакавання: у рэжыме блакавання націсніце і ўтрымлівайце кнопку (15) «Стоп/Адмена» на працягу трох секунд, прагучыць гукавы сігнал, надпіс «OFF» загасне.

ЧЫСТКА І ДОГЛЯД

- Перад чысткай выключыце печ і выміце вілку сеткавага шнура з электрычнай разетки.
- Не дапушчайце траплення вільгаці на панэль кіравання. Пратрыце панэль кіравання мяккай, злёгка вільготнай тканінай, пасля чаго вытрыце насуха.
- Трымайце працоўную камеру печы ў чысціні. Калі на сценах печы засталіся кавалачкі прадуктаў ці падцёкі вадкасці, старанна выдаліце іх вільготнай сурвэткай.
- Пры моцным забруджванні корпуса печы і працоўнай камеры можна выкарыстоўваць мяккі мыйны сродак.
- Не карыстайцеся абразіўнымі мыйнымі сродкамі ці драцянымі шчоткамі для чысткі печы звонку і ўсярэдзіне працоўнай камеры.
- Сачыце за тым, каб вада ці мыйны сродак не патрапілі ў адтуліны, прызначаныя для адводу паветра і пары, якія знаходзяцца на вачку печы.
- Забараняецца выкарыстоўваць мыйныя сродкі на аснове аміяку.
- Дзверца печы заўсёды павінна быць чыстай. Не дапушчайце скаплення крошак паміж дзверцамі і пярэдняй панэллю печы, бо гэта перашкаджае звычайнаму зачыненню дзверцаў.
- Рэгулярна чысціце ад пылу і бруду вентыляцыйныя адтуліны на задняй сценкі корпуса печы, праз якія паступае паветра для яе астуджэння. Для ачысткі вентыляцыйных адтулін можна скарыстацца пыласосам з адпаведнай насадкай.
- Рэгулярна здымайце і чысціце шклянны паддон, яго апору і ролікавае кольца; рэгулярна працірайце дно працоўнай камеры печы.
- Шклянны паддон і ролікавае кольца мыйце цёплай вадой з даданнем нейтральнага мыйнага сродку, пасля чаго спаласніце вадой і высушыце.
- Не апускайце гарачы шклянны паддон у халодную ваду, з-за рэзкага перападу тэмператур шклянны паддон можа лопнуць.
- Для ўстранення непрыемных пахаў у працоўнай камеры пастаўце ў печ шклянку вады з даданнем лимоннага соку і пракіпяціце яе на працягу некалькіх хвілін. Старанна пратрыце сценкі працоўнай камеры мяккай сурвэткай.

НЯСПРАЎНАСЦІ І МЕТАДЫ ІХ УХІЛЕННЯ

Мікрахвалева печ стварае перашкоды прыёму тэле- і радыёсігналаў	Падчас працы мікрахвалевай печы могуць узнікнуць перашкоды пры прыёме цэле- і радыёсігналаў. Аналагічныя перашкоды ўзнікаюць пры працы невялікіх электрапрыбораў, такіх як міксер, пыласос і электрычны фен. Гэта звычайная з'ява.
Скапленне пары на дзверцах, выхад гарачага паветра з вентыляцыйных адтулін	Падчас прыгатавання вадкасць у прадуктаў ператвараецца ў пару, якая будзе выходзіць з вентыляцыйных адтулін; пара можа кандэнсавацца на ўнутраным боку дзверцаў, выклікаючы яе запачаванне. Гэта звычайная з'ява.
Мікрахвалева печ уключана без загрузаных прадуктаў	Уключэнне мікрахвалевай печы на кароткі час без загрузаных прадуктаў не прывядзе да яе паломкі. Заўсёды правярайце наяўнасць прадуктаў ў працоўнай камеры печы перад яе ўключэннем.

Ўхіленне няспраўнасцяў

Няспраўнасць	Магчымая прычына	Спосаб устарання
Печ не ўключаецца.	Вілка сеткавага кабеля недастаткова шчыльна ўстаўлена ў электрычную разетку.	Выміце вілку з электрычнай разетки. Праз 10 секунд устаўце вілку зваротна ў разетку.
	Праблема з сеткавай разеткай.	Для праверкі паспрабуйце ўключыць у тую ж разетку іншую прыладу.
Адсутнічае нагрэў	Няшчыльна зачынена дзверца	Шчыльна зачыніце дзверца
Падчас працы печы круцельны шкляны паддон выдае староннія шумы.	Забруджана ролікавае кальцо ці ніжняя частка працоўнай камеры.	Зніміце шкляны паддон і ролікавае кальцо. Прамыйце ролікавае кальцо і дно працоўнай камеры.

ТЭХНІЧНЫЯ ПАРАМЕТРЫ І ХАРАКТАРЫСТЫКІ

Ўмовы эксплуатацыі:

Тэмпература паветра	Ад +10°C да +35°C
Адносная вільготнасць паветра	35-80%
Атмасферны ціск	86-106 кПа (650 – 800 мм.рт.ст.)

Асноўныя параметры

Электрасілкаванне	220-240 В ~ 50 Гц
Намінальная мікрахвалева магутнасць	900 Вт
Намінальная спажываная магутнасць у рэжыме мікрахваляў	1400 Вт
Намінальная спажываная магутнасць у рэжыме грылю	1000 Вт
Намінальная спажываная магутнасць у рэжыме канвекцыя	1300 Вт
ККД (%) СВЧ:	55%
Працоўная частота	2450 ± 49 МГц
Аб'ём камеры	28 л
Дыяметр шклянога паддона	315 мм
Габарытныя памеры, не больш за	518x324x440 мм
Маса нета	Прыблізна 17,5 кг

БЕЛАРУСКАЯ

Камплектнасць

Печ	1 шт.
Шклянны паддон	1 шт.
Ролікавае кольца	1 шт.
Апора шклянага паддона	1 шт.
Рашотка для грылю	1 шт.
Інструкцыя па эксплуатацыі	1 шт.
Гарантыйны талон	1 шт.
Кніга рэцэптаў для мікрахвалевай печы	1 шт.
Індывідуальная тара	1 шт.

Вытворца захоўвае за сабой права змяняць дызайн і тэхнічныя характарыстыкі прылады без папярэдняга апавяшчэння.

Тэрмін службы прылады - 5 гадоў

Гарантыя

Падрабязнае апісанне умоў гарантыйнага абслугоўвання могуць атрымаць у таго дылера, ў якога была набыта тэхніка. Пры звароце за гарантыйным абслугоўваннем абавязкова павінна быць прад'яўлена купчая альбо квітанцыя аб аплаце.

MIKROTO'LQINLI PECHKA

Jihozni ishlatishdan oldin qo'llanmasini diqqat bilan o'qib chiqing.

Qo'llanmada aytilgan ko'rsatmalarining hammasi aniq bajarilsa mikroto'lqinli pechka ko'p yil buzilmasdan ishlaydi.

Qo'llanmani olish oson bo'ladigan joyga olib qo'ying.

Qismlari

1. Pechka eshigi yopgichi
2. Qarash oynasi
3. Shisha patnis asosi
4. G'ildirakli xalqa
5. Shisha patnis
6. O'YUCH to'lqin chiqish o'rni
7. Boshqarish paneli
8. Pechka eshigidagi o'chirish tizimi
9. Gril panjarasi

Boshqarish paneli

10. Display
11. «Mikroto'lqin» tugmasi
12. «Gril / Kombi/ Konveksiya» tugmasi
13. «Avtomenyu» tugmasi
14. «Soat / Belgilab qo'yish» tugmasi
15. «To'xtatish / Bekor qilish» tugmasi
16. «Boshlash / Tez boshlash» tugmasi
17. «Avto /Muzdan tushirish / Vaqt / Og'irlik / Harorat» tugmasi

Display

18. Xarfli-raqamli belgilar / vaqt ko'rsatgichi
19. Tanlangan masalliq og'irligi belgisi
20. Soat alomati
21. Pishirish usuli alomati
22. Mikroto'lqin usulida ishlayotgani alomati
23. Quvvatni ko'rsatadigan belgi
24. «Konveksiya» usuli belgisi
25. «Konveksiya» usuli alomati
26. «Gril» usuli belgisi
27. «Gril» usuli alomati
28. Ovqat avtomatik pishayotgani belgisi
29. «Muzdan tushirish» usuli belgisi
30. «Muzdan tushirish» usuli alomati
31. Haroratni ko'rsatadigan belgi

DIQQAT!

Qo'shimcha himoya bo'lishi uchun oshxonadagi elektr manbaiga nominal ishlab ketadigan tok kuchi 30 mA dan oshmaydigan himoya o'chirish moslamasini (HO'M) o'rnatish to'g'ri bo'ladi, HO'Mni o'rnatish uchun mutaxassisni chaqiring.

Mikroto'lqin quvvati ta'sir qilmasligi uchun amal qilish zarur bo'lgan ehtiyot choralarini

- Pechkani eshigini ochib ishlatish ta'qiqlanadi, zararli mikroto'lqin nuri ta'sir qilishi mumkinligi uchun bunday qilish xavfli bo'ladi.
- Pechka eshigidagi o'chirish tizimi elektr zanjirini o'zgartirmang.

- Pechka korpusi bilan eshigi orasiga biror buyum qo'ymang, eshikning ichki yuzasidagi yig'ilib qolgan kir, yuvish vositasi qoldiqlarini tozalab olib tashlang.
- O'YUCH to'lqin chiqadigan joy (6) slyudali plastina bilan berkitilgan, uni olib tashlamang, toza bo'lishiga qarab turing.
- Pechka eshigi yaxshi yopilishi nihoyatda ahamiyatli hisoblanadi, eshikning biror joyi ham shikastlanmasligi kerak.
- Quyidagilar bo'lmasligiga qarab turing:
 - eshigi shikastlanmagan (masalan, qiyshaymagan);
 - eshik sharnirlari, yopgichlari shikastlanmagan (sinmagan yoki bo'shab qolmagan);
 - qarash oynasi ich tomonidagi berkituvchi panjara shikastlanmagan.
- Pechkani faqat vakolatli xizmat markazining mutaxassislari to'g'rilashlari yoki ta'mirlashlari kerak.

MUHIM EHTIYOT CHORALARI

DIQQAT! SHikastlangan pechka eshigi yoki eshik oshiq-moshig'ini mutaxassis tuzatmaguncha pechkani ishlatish mumkin emas!

DIQQAT! Mikroto'lqin ta'siridan himoya qiladigan qopqoqni olish bilan bog'liq xizmat va ta'mirlash ishlarini faqat malakali mutaxassis bajarishi kerak!

DIQQAT! Qutisi portlab ketmasligi uchun suyuqlik yoki boshqa ovqatni zich yopilgan qutida isitish mumkin emas!

DIQQAT! Pechkani xavfsiz ishlatish to'liq va to'g'ri tushuntirilgan, noto'g'ri ishlatilganda qanday xavf bo'lishi mumkinligi aytilgan bo'lsagina bolalar pechkani qarovsiz ishlatishlari mumkin!

DIQQAT! Xavfdan ehtiyot bo'lishi uchun shikastlangan elektr shnuri faqat vakolatli xizmat markazida almashtirilishi kerak.

DIQQAT! Tajribasi yoki bilimi bo'lmasa, ularning xavfsizligi uchun javob beradigan inson qarab turmasa va pechkani ishlatish qoidalari tushuntirilmagan bo'lsa pechka bolalar va jismoni yoki aqliy imkoniyati cheklangan insonlarning ishlatishi uchun mo'ljallanmagan!

OGOHLANTIRISH: Pechka ishlayotganda sirti qizib ketadi.

OGOHLANTIRISH: Jihoz ishlayotganda ish kamerasining ichki yuzasidagi harorat baland bo'lishi mumkin.

DIQQAT! Umumiy usul yoki gril usulida ishlayotgan pechka yaqiniga kattalar qarab turmaganda bolalarning kelishi ta'qiqlanadi!

EHTIYOT CHORALARI

Pechkani ishlatishdan oldin qo'llanmasini diqqat bilan o'qib chiqing, keyinchalik kerak bo'lganda o'qib bilish uchun qo'llanmasini saqlab olib qo'ying.

Jihozni faqat bevosita maqsadiga muvofiq, qo'llanmasida aytilgandek ishlatilg. Jihoz noto'g'ri ishlatilsa buzilishi, foydalanuvchi yoki uning mulkiga zarar qilishi mumkin.

O'ZBEKCHA

Kuymaslik, toki urmasligi, yong'in chiqmasligi, mikroto'lqin nuri chiqib sog'lliqqa zarar qilmasligi uchun quyidagi tavsiyalarga amal qiling:

- Birinchi marta ishlatishdan oldin pechkada ko'rsatilgan tok kuchi elektr tarmog'idagi tok kuchiga to'g'ri kelishini tekshirib ko'ring.
- mikroto'lqinli pechkani faqat bevosita maqsadiga muvofiq, qo'llanmasida aytilgandek ishlating.
- mikroto'lqinli pechka ovqat pishirish va pishgan ovqatni isitishga mo'ljallangan.
- Ovqat solinmagan pechkani ishlatmang.

Pechka ish kamerasi yonib ketmasligi uchun quyidagi qoidalarga amal qiling.

- qutisi yonib ketmasligi uchun plastik yoki qog'oz qutidagi ovqat isishiga qarab turing.
- Pechkaga qog'oz yoki plastik qutidagi ovqatni solishdan oldin ular bog'langan simni yechib oling.
- Agar pechka ichida yong'in chiqsa, pechkani tez o'chirib, elektrdan uzib qo'ying, olov tarqalmasligi uchun pechka eshigini ochmang.
- Pechka ish kamerasini biror narsa saqlash uchun ishlatmang, unda qog'oz yoki ovqat qoldirmang.
- Jihoz tashqi taymer yoki alohida chetdan ishlatish tizimi bilan ishlatishga mo'ljallanmagan.
- Idishni oldin mikroto'lqinli pechkaga solib bo'lish mumkinligini tekshirib ko'rish kerak.
- Pishayotgan ovqatning issigi idishga o'tgani uchun idish qattiq qizib ketishi mumkin, shuning uchun uni qo'lqop yoki tutqich bilan oling.
- Pechkadan idishni olganda ehtiyot bo'ling, sababi mikroto'lqinli pechkada isitilayotgan qattiq qaynayotgan ichimlik, isitish to'xtaganda ham qaynab turishi mumkin.
- Mikroto'lqinli pechka faqat ovqat pishirish/isitish, ichimlikni isitishga mo'ljallangan. Kiyim quritish yoki turli maishiy buyumlarni isitish pechkani buzishi yoki pechka ichidagi buyumlar yonib yong'in chiqishiga sabab bo'lishi mumkin.
- Mikroto'lqinli pechkada po'chog'i archilmagan tuxumni pishirish yoki isitish ta'qiqlanadi, sababi po'chog'i archilmagan tuxum isitish to'xtaganda keyin ham portlab ketishi mumkin.
- Bolaning ovqati solingan shisha idish, bankani pechkaga so'rg'ichi, qopqog'ini olib qo'yish kerak. Idishdagi ovqatni aralashtirib yoki chayqatib olish kerak. Ovqatni bolaga berishdan oldin, kuyib qolmasligi uchun, banka yoki shisha idishdagi ovqat issig'ini tekshirib ko'ring.
- Hech qachon ishlab tutgan jihozni qarovsiz qoldirmang.
- Bolalarni ehtiyot qilish uchun o'rashga ishlatilgan polietilen xaltalarni qarovsiz qoldirmang.
- **Diqqat!** Bolalar polietilen xalta yoki o'rashga ishlatilgan plyonkani o'ynashlariga ruxsat bermang. **Bo'g'ilish xavfi bor!**
- Ishlayotgan jihoz yaqinida bolalar yoki imkoniyati cheklangan insonlar bo'lganda ayniqsa ehtiyot bo'ling.

- Jihoz bolalar va imkoniyati cheklangan insonlarning ishlatishiga mo'ljallanmagan. Juda zarur bo'lganda, istisno tariqasida bolalar va imkoniyati cheklangan insonlarning xavfsizligi uchun javob beradigan insonlar ularga jihozni xavfsiz ishlatish qoidalarini to'g'ri va tushunarli qilib o'rgatishlari va noto'g'ri ishlatilganda qanday xavf bo'lishi mumkinligini tushuntirishlari kerak.
- Mikroto'lqinli pechka korpusidagi havo kiradigan, chiqadigan joylarni berkitib qo'ymang.
- Mikroto'lqinli pechkani havo yaxshi aylanmaydigan oshxona qutilari, shkaf, javonlarga qo'ymang.
- Elektr shnuri yoki elektr vilkasini suvga yoki boshqa suyuqlikka solmang.
- Elektr shnuri bilan elektr vilkasi issiq joylarga, mebelning o'tkir qirrasiga tegmasligiga qarab turing.
- Elektr vilkasini rozetkadan chiqarganda shnurdan emas, vilkasidan ushlab torting.
- Elektr vilkasini xo'l qo'l bilan ushlamang, tok urishi mumkin.
- Elektr shnuri, elektr vilkasi shikastlangan, ishlab ishlamayotgan, tushib ketgan, biror joyi shikastlangan jihozni ishlatmang.
- Tok urmasligi uchun jihozni ochish, o'zicha ta'mirlash ta'qiqlanadi, biror joyi buzilgan bo'lsa vakolatli xizmat markaziga olib boring.

JIHOZ FAQAT UYDA ISHLATISHGA MO'ljALLANGAN

Pechkani yerga tutashirish borasidagi ko'rsatmalar

- Mikroto'lqinli pechka yerga ishonchli tutashgan bo'lishi kerak. Agar qisqa tutashuv bo'lsa yerga tutashgan pechka elektr toki urishi xavfini kamaytiradi, chunki tok yerga tutashgan simdan yerga o'tadi. Mikroto'lqinli pechkada yerga tutashadigan elektr kabeli bilan yerga tutashadigan ulash joyi bor elektr vilka ishlatiladi.
- Elektr vilkasi yerga yaxshilab tutashgan elektr rozetkaga ulangan bo'lishi kerak.

Ogohlantirish:

- yerga tutashmagan rozetkaga yerga tutashish joyi bor elektr vilkasini ulash elektr toki urishiga sabab bo'lishi mumkin.
- Agar yerga tutashish qanday bo'lishini tushunmasangiz yoki mikroto'lqinli pechka yerga ishonchli tutashganidan shubhalanayotgan bo'lsangiz, malakali mutaxassis bilan maslahatlashib oling.
- O'ralib qolmasligi uchun mikroto'lqinli pechkaning elektr shnuri kalta qilingan.
- Uzaytirgich ishlatish kerak bo'lsa elektr vilkasi va rozetkasida yerga tutashish joyi bor 3 simli uzaytirgich ishlating.
- Mikroto'lqinli pechka shnuri kesmasidagi belgilanishi bilan uzaytirgich shnuri kesmasidagi belgilanish bir xil bo'lishi kerak.
- Uzaytirgichning elektr shnuri stol chetidan osilib turmasligi kerak, sababi, uni bolalar tortib yuborishlari mumkin, elektr shnuri shuningdek bosib olinadigan joydan ham o'tmasligi kerak.

O'yuch pechkada UMUMIY ovqat pishirish qoidalari OGOHLANTIRISH: Germetik yoki vakuum idishdagi ovqatni isitishdan yoki pishirishdan oldin ochib qo'yish esingizdan chiqmasin. Aks holda ichida bosim hosil bo'lib idish portlab ketishi mumkin.

- Mikroto'lqinli pechkada po'chog'i archilmagan yoki qaynatilgan tuxum pishirish yoki isitish ta'qiqlanadi, sababi ichidagi bosim oshib tuxum portlab ketishi mumkin. Po'chog'i qalin masalliq (misol uchun, kartoshka, qovoqcha yoki olma) po'chog'ini pishirishdan oldin teshib qo'ying.
- Bolaning ovqati solingan shisha idish, bankani pechkaga so'rg'ichi, qopqog'ini olib qo'yish kerak. Idishdagi ovqatni aralashtirib yoki chayqatib olish kerak. Ovqatni bolaga berishdan oldin, kuyib qolmasligi uchun, banka yoki shisha idishdagi ovqat issig'ini tekshirib ko'ring.
- Bekon pishirganda uni shisha patnisning o'ziga qo'y mang, bir qismi qizigan shisha patnis darz ketishi mumkin.
- Ovqat pishirganda mikroto'lqinli pechkaga qo'ysa bo'ladigan idish ishlatilgan, idishni shisha patnisga qo'ying.
- Masalliq bir tekis pishishi uchun qalinroq to'g'ralgan masalliqni idish chetiga qo'ying.
- Ovqat pishadigan vaqtga qarab turing. Pishadigan vaqtni kamroq qo'ying, agar kerak bo'lsa yana vaqt qo'shasiz.
- Masalliq pishadigan vaqtni keragidan oshirib yubormang, aks holda masalliq yonib ketishi mumkin.
- Ovqatni mikroto'lqinli pechkada ishlatsa bo'ladigan qopqoq yopib pishiring. Qopqoq yopilganda masalliqdan chiqayotgan shira yoki yog' sachrab ketmaydi, masalliq bir tekis pishadi.
- Tezroq pishishi uchun tez pishadigan ovqatlarni, misol uchun, gamburgerni bir marta ag'darib qo'ying. Agar go'sht bo'laklari katta bo'lsa pishayotganda kamida ikka marta ag'darib qo'yish kerak.
- Pishayotgan ovqat tepasidan pastga, o'rtasidan chetiga qarab aralashiriladi.

Idish tanlash borasidagi maslahatlar

- Mikroto'lqinli pechkaga solinadigan idishning eng yaxshisi mikroto'lqin o'tishiga «tiniq» bo'ladi, shunda uning quvvati idishdan o'tib ovqatni isitadi.
- Mikroto'lqin metallidan o'taolmaydi, shuning uchun O'YUCH pechkada metall yoki metall bilan bezatilgan idishni ishlatmaslik kerak.
- Pechkaga qayta ishlatilgan qog'ozdan yasalgan buyumlarni qo'yish mumkin emas, chunki ularga aralashib qolgan metall zarralari qutini yondirib yuborishi mumkin.
- Mikroto'lqinli pechkada to'rtburchak idishdan ko'ra dumaloq yoki tuxum shaklidagi idishni ishlatgan yaxshi.
- Darz ketgan yoki cheti uchgan idishni ishlatmang.

Mikroto'lqinli pechkada ishlatishdan oldin idishni tekshirib ko'rish

- Sinalayotgan idishni (misol uchun, likopni) pechkaning ish kamerasiga qo'ying, uning ustiga shisha stakanda sovuq suv qo'yasiz.
- Mikroto'lqinli pechkani eng ko'p quvvatiga qo'yib ishlatilgan, ishlaydigan vaqti 1 daqiqadan ko'p bo'lmasligi kerak.
- Ehtiyot bo'lib sinalayotgan idishga qo'l tekkizing, agar u qizigan, lekin stakandagi suv sovuq bo'lsa bunday idishni mikroto'lqinli pechkada ovqat pishirish uchun ishlatib bo'lmaydi.
- Sinash vaqtini 1 daqiqadan oshirib yubormang.

MIKROTO'LQINLI PECHKANI YIG'ISH

Mikroto'lqinli pechka past haroratli joyda turgan yoki qishda sovuq havoda olib kelingan bo'lsa ishlatishdan oldin kamida 2 soat xona haroratida qutisidan olinmay turishi kerak.

- Mikroto'lqinli pechka ish kamerasidagi o'rashga ishlatilgan aшыolar bilan qismlarini olib tashlang.
- Mikroto'lqinli pechkaning biro joyi shikastlanmaganini tekshirib ko'ring. Ayniqsa pechka eshigi sozligini diqqat bilan tekshirib ko'ring. Biror joyi nosozligini ko'rsangiz mikroto'lqinli pechkani o'rnatmang va ishlatmang.

Himoya qiladigan qoplamasi

Korpusi: agar korpusiga himoya qiladigan plyonka o'ralgan bo'lsa uni korpusidan olib tashlang.

Magnetronni himoya qilish uchun ishlatiladigan, ishlash kamerasi ichidagi O'YUCH to'lqin chiqadigan joyga (6) qo'yilgan och kulrang slyudali plastinani olib tashlamang.

Shisha patnisni qo'yish

- Shisha patnis asosini (3) ish kamerasi ostidagi ochiq joyga kiritib mahkamlang.
- G'ildirakli xalqani (4) ish kamerasi ostiga qo'ying.
- Chiqib turgan joyini asosdagi (3) ochiq joyga to'g'rilab shisha patnisni (5) g'ildirakli xalqaga (4) qo'ying.
- Hech qachon shisha patnisni ostini ustiga qilib o'rnatmang.
- Pechka ishlayotganda shisha patnis aylanishiga xalaqat bermang.
- Ovqat pishayotganda albatta shisha patnis (5), asos (3) va g'ildirakli xalqani (4) ishlatilgan.
- Ovqat pishadigan idishni albatta shisha patnisga (5) qo'yish kerak.
- Shisha patnis (5) soat miliga qarab ham soat miliga teskari ham aylanishi mumkin.
- shisha patnis (5) darz ketgan, cheti uchgan bo'lsa tez pechka ishlatilishini to'xtatib va shisha patnisni almashtiring.

O'ZBEKCHA

Mikroto'qinli pechkada ishlatsa bo'ladigan material va idishlar

Qovurishga ishlatiladigan idish	Ishlab chiqaruvchining ko'rsatmalariga amal qiling. Qovurishga ishlatiladigan idishning osti aylanadigan shisha patnisdan 5 mm qalinroq bo'lishi kerak. Ovqat qovuriladigan idish noto'g'ri ishlatilsa idish yoki aylanadigan shisha patnis darz ketishi mumkin.
Ovqatlanadigan idish	Idishga tegishli belgi qo'yilgan bo'lishi kerak. Idish ishlab chiqaruvchining ko'rsatmalariga amal qiling. Darz ketgan yoki cheti uchgan idishni ishlatmang.
Shisha idish	Faqat issiqqa chidamli shishadan yasalgan idishni ishlatish mumkin. Metall xoshiyasi yo'qligini qarab ko'ring. Darz ketgan yoki cheti uchgan idishni ishlatmang.
Ovqatlanadigan shisha idish	Faqat issiqqa chidamli ovqatlanadigan idishni ishlatish mumkin. Metall xoshiyasi yo'qligini qarab ko'ring. Darz ketgan yoki cheti uchgan idishni ishlatmang.
Maxsus xalta ishlatib mikroto'qinli pechkada ovqat pishirish	Ishlab chiqaruvchining qo'rsatmalariga amal qiling. Xaltani metall sim yoki tortgich bilan berkitmang. Bug' chiqishi uchun xaltaning bir necha joyini teshib qo'ying.
Qog'oz likop va finjon	Bunday idishni faqat kam vaqtda pishadigan/isiydigan ovqatga ishlatish mumkin. Bunday idishga solingan ovqat pishayotganda/isiyotganda mikroto'qinli pechkani qarovsiz qoldirmang.
Qog'oz sochiq	Dam yedirish va yog'i sachramasligi uchun ovqatning ustini qog'oz sochiq bilan yopib qo'yish mumkin. Faqat ko'z uzmasdan qarab turadigan bo'lsangiz va ovqat kam vaqtda pishadigan/isiydigan bo'lsagina qog'oz sochiq ishlatish mumkin.
Pergament qog'oz	Idishdagi ovqatning yog'i sachramasligi uchun yoki o'rashga ishlatiladi.
Plastik	Faqat «Mikroto'qinli pechkada ishlatish mumkin» deb belgi qo'yilgan plastik buyumlarni ishlatsa bo'ladi. Ishlab chiqaruvchining ko'rsatmalariga amal qiling. Ichidagi ovqat qizib plastik idish yumshab qolishi mumkin. Germetik yopilgan plastik xaltalarni, xaltaning o'zida ko'rsatilgandek qilib, teshib yoki tilib qo'yish kerak.
Plastik o'rama	Tegishli belgi qo'yilgan plastik buyumlarnigina ishlatish mumkin.
Mum qog'oz	Ovqatning yog'i sachramasligi yoki pishayotgan ovqat qurib qolmasligi uchun ishlatiladi.

Mikroto'qinli pechkada ishlatsa bo'lmaydigan material va idishlar

Alyumin patnis va folga	Uchqun chiqarishi mumkin. Mikroto'qinli pechkada ishlatsa bo'ladigan maxsus idishni ishlatish mumkin.
Metall dastakli karton kosa	Uchqun chiqarishi mumkin. Mikroto'qinli pechkada ishlatsa bo'ladigan maxsus idishni ishlatish mumkin.
Metall idish yoki metall xoshiyalı idish	Metall mikroto'qin quvvatini o'tkazmaydi. Metall xoshiyadan uchqun chiqishi mumkin.
Metall sim	Uchqun chiqarishi, ovqat pishayotganda/isiyotganda qutini yondirib yuborishi mumkin.
Qog'oz xalta	Mikroto'qinli pechka ichida yonib ketishi mumkin.
Sovun	Sovun erib mikroto'qinli pechka ish kamerasini ifloslantirishi mumkin.
Yog'och	Yog'och idish qurib qolishi, yorilishi va yonib ketishi mumkin.

PECHKANI ISHLATISH

Pechkani ishlatishdan oldin elektr manbaidagi tok kuchi jihoz korpusida ko'rsatilgan tok kuchiga to'g'ri kelishini tekshirib ko'ring.

Soatni to'g'rilash

Elektr vilkasini rozetkaga ulang, ovoz eshitilib displeyda (10) «:» belgisi ko'rinadi. Soatni «0:00» dan «23:59» gacha to'g'rilab qo'yishingiz mumkin.

1. «Soat/Belgilab qo'yish» tugmasini (14) bosib, displeyda «0:» raqami o'chib-yona boshlaydi, soat alomati (20) yonadi.
2. Murvatini (17) burab soatni to'g'rilab qo'ying.
3. «Soat/Belgilab qo'yish» tugmasini (14) bosib, displeyda «:00» raqamlari o'chib-yona boshlaydi.
4. Murvatini (17) burab daqiqani to'g'rilab qo'ying.
5. Vaqt to'g'rilanishini tugatish uchun «Soat/Belgilab qo'yish» tugmasini (14) bosib, 1 marta ovoz eshitiladi, displeyda to'g'rilab qo'yilgan vaqt ko'rinadi, soat alomati (20) yonadi va ajratish nuqtalari «:» o'chib-yona boshlaydi.

Eslatma:

- Mikroto'lqinli pechka elektrga ulanganidan keyin soati to'g'rilab qo'yilmasa displeyda (10) soat ko'rinmaydi.
- Tugmasi (14) bosilganidan keyin birorta ham harakat bajarilmasa 10 sekunddan keyin displey o'zi vaqtini «0:00» ko'rinishida ko'rsatadi.

MIKROTO'LQINLI PECHKADA OVQAT PISHIRISH

Ovqat pishirishdan oldin pechka ishlaydigan quvvat bilan ovqat pishadigan vaqtini to'g'rilab qo'ying.

1. Pechka eshigini oching, ish kamerasiga masalliq soling.
2. «Mikroto'lqin» tugmasini (11) bosib, ovoz eshitilib displeyda ovqat mikroto'lqin usulida pishishi belgisi (22) ko'rinib, alomat (23) yorishadi.
3. «Mikroto'lqin» tugmasini (11) bosib ovqat pishadigan quvvatni tanlang. Displeyda ovqat pishadigan quyidagi quvvatlar ko'rinadi:

1-jadval

Tugma bosilishi	Displeyda ko'rinishi	Pechka quvvati
1	100P	100%
2	80P	80%
3	60P	60%
4	40P	40%
5	20P	20%

4. Murvatini (17) ovqat pishadigan vaqtga burab qo'ying. Displeyda (10) belgilangan ovqat pishadigan vaqt ko'rinadi.

Eslatma:

- Jadvalda ko'rsatilgan oraliqda ovqat pishadigan vaqtini «0:10-60:00» daqiqa o'rtasida qo'yishingiz mumkin.

2-jadval

Qo'yiladigan vaqt	Qo'yiladigan vaqt oraligi
0-5 daqiqa	10 sekund
5-10 daqiqa	30 sekund
10-60 daqiqa	1 daqiqa

5. Ovqat pishirishni boshlash uchun «Boshlash/Tez boshlash» tugmasini (16) bosib, displeyda (10) qolgan vaqt hisobi boshlanib alomat (21) yonadi.
6. Ovqat pishganidan keyin pechka o'chadi, displeyda (10) «End» yozuvi ko'rinib uch marta ovoz eshitiladi.
7. Ovqat pishganidan keyin pechka eshigini ochib pishgan ovqatni oling.

Eslatma:

- Ovqat pishayotganda murvatini (17) burab yoki tugmasini (16) qayta bosib ovqat pishadigan vaqtini o'zgartirish mumkin. Vaqt qo'yiladigan oraliq 2-jadvalda ko'rsatilgan.
- Pechka eshigini ochib ovqat pishganini ko'ish mumkin. Agar ovqat xali pishmagan bo'lsa pechka eshigini yopib «Boshlash/Tez boshlash» tugmasini (16) bosib ovqat pishishini davom ettiring.

OVQATNI TEZ PISHIRISH USULI

1. Pechka eshigini ochib ish kamerasiga masalliqni qo'ying, pechka eshigini yoping.
2. 1 daqiqa to'liq quvvat bilan ishlab ovqat pishirishi uchun «Boshlash/Tez boshlash» tugmasini (16) bosib.

Eslatma: Murvatini (17) burab yoki tugmasini (16) qayta bosib ovqat pishadigan vaqtini 2-jadvalda ko'rsatilgan orada belgilab qo'ysa bo'ladi.

3. Ovqat pishganidan keyin pechka o'chadi, displeyda (10) «End» yozuvi ko'rinadi va uch marta ovoz eshitiladi.
4. Ovqat pishganidan keyin pechka eshigini ochib pishgan ovqatni oling.

«KONVEKSIYA» USULIDA OVQAT PISHIRISH

1. Pechka eshigini ochib masalliqni ish kamerasiga soling, pechka eshigini yoping.

Eslatma

- Zarur bo'lsa shisha patnisga (5) gril panjarasini (9) qo'ying.
2. «Gril/Kombi/Konveksiya» tugmasini (12) bosib konveksiya «C» usulini tanlang. Displeyda konveksiya usulida ishlayotgani belgisi (24) ko'rinadi.
 3. Murvatini (17) qiziydigan haroratga burab qo'ying. Displeyda (10) harorat usullaridan (31) bittasi ko'rinadi.

Eslatma

- «Konveksiya» usulida quyidagi haroratdan bittasini tanlash mumkin: 100, 140, 180, 200 va 230°C.
4. «Boshlash/Tez boshlash» tugmasini (16) bosib, displeyda «Pr-H» yozuvi ko'rinadi.
 5. Murvatini (17) ovqat pishadigan vaqtga burab qo'ying. Displeyda (10) belgilangan vaqt ko'rinadi.

O'ZBEKCHA

Eslatma: Displayda «Pr-H» yozuvi ko'ringanidan keyin «Boshlash/Tez boshlash» tugmasini (16) qayta bosib ovqat 15 daqiqada pishadigan usuli ishlatiladi.

- Ovqat pishishi boshlanishi uchun «Boshlash/Tez boshlash» tugmasini (16) bosib, displayda (10) qolgan vaqt hisobi boshlanadi, alomat (25) yonadi va harorat belgisi (31) ko'rinadi.
- Ovqat pishishi tugaganidan keyin pechka o'chadi, displayda (10) «End» yozuvi ko'rinadi va uch marta ovoz eshitiladi.

«KONVEKSIYA/KOMBI» USULIDA OVQAT PISHIRISH

- Pechka eshigini ochib masalliqni pechka ish kamerasiga soling, pechka eshigini yoping.
- «Gril/Kombi/Konveksiya» tugmasini (12) ketma-ket bosib qo'shib pishirish usullaridan bittasini tanlang. Displayda tanlangan «C-1» yoki «C-2» ovqat pishirish usullaridan bittasi, (22) va (24) belgilari ko'rinadi.
- Murvatini (17) ovqat pishadigan haroratga burab qo'ying. Displayda (10) ovqat pishadigan harorat usullaridan (31) bittasi ko'rinadi.

Qo'shib pishirish usullari

3-jadval

Ishlash usuli	Mikroto'lqin	Konveksiya	Qizish harorati, °C
C -1	30%	70%	100, 140, 180
C -2	55%	45%	100, 140, 180

- «Boshlash/Tez boshlash» tugmasini (16) bosib, displayda «Pr-H» yozuvi ko'rinadi.
- Murvatini (17) ovqat pishadigan vaqtga burab qo'ying. Displayda (10) belgilangan vaqt ko'rinadi.

Eslatma: Displayda «Pr-H» yozuvi chiqqanda «Boshlash/Tez boshlash» tugmasi (16) yana bir marta bosilsa ovqatni 15 daqiqada pishirish usuli ishga tushadi.

- Ovqat pishishi boshlanishi uchun «Boshlash/Tez boshlash» tugmasini (16) bosib, displayda (10) qolgan vaqt hisobi boshlanadi, alomat (25) bilan harorat usullari belgisi (31) ko'rinadi.
- Ovqat pishirish usuli tugaganidan so'ng pechka o'chadi, displayda (10) «End» yozuvi ko'rinib uch marta ovoz eshitiladi.

Eslatma

- Ovqat yaxshiroq pishishi uchun pishayotganda aralashtirib turish kerak.
- Pechka eshigini oching, ovqatni aralashtirib, eshigini yopib ovqat pishishi davom etishi uchun «Boshlash/Tez boshlash» tugmasini (16) bosib.

«GRIL» USULIDA OVQAT PISHIRISH

- Pechka eshigini ochib masalliqni ish kamerasiga soling, pechka eshigini yoping.

Eslatma

- Zarur bo'lsa gril panjarasini (9) shisha patnisga (5) qo'ying.

- «Gril/Kombi/Konveksiya» tugmasini (12) bosib «G» usulini tanlang. Displayda «Gril» usuli alomati (26) ko'rinadi.
- Murvatini (17) ovqat pishadigan vaqtga burab qo'ying. Displayda belgilab qo'yilgan ovqat pishadigan vaqt ko'rinadi.
- Ovqat pishishi boshlanishi uchun «Boshlash/Tez boshlash» tugmasini (16) bosib, displayda qolgan vaqt hisobi boshlanadi, «Gril» usuli alomati (27) ko'rinadi.
- Ovqat pishganidan keyin pechka o'chadi, displayda (10) «End» yozuvi ko'rinib uch marta ovoz eshitiladi.

Eslatma

- Gril yaxshiroq ishlashi uchun pishayotganda aylantirib turish kerak.
- Pechka eshigini oching, ovqatni aylantirib, eshigini yopib ovqat pishishi davom etishi uchun «Boshlash/Tez boshlash» tugmasini (16) bosib. Ovqatni aylantirmasangiz ham bo'ladi.

«GRIL/KOMBI» USULIDA OVQAT PISHIRISH

- Pechka eshigini ochib ish kamerasiga masalliqni soling, pechka eshigini yoping.
- «Gril/Kombi/Konveksiya» tugmasini (12) ketma-ket bosib qo'shib pishirish usullaridan bittasini tanlang. Displayda tanlangan «G-1» yoki «G-2» pishirish usullaridan bittasi ko'rinadi, (22) va (26) alomatlari yorishadi.

Qo'shib pishirish usullari

4-jadval

Ishlash usuli	Pechka quvvati	Gril quvvati
G -1	30%	70%
G -2	55%	45%

- Murvatini (17) ovqat pishadigan vaqtga burab qo'ying. Displayda belgilangan vaqt ko'rinadi.
- Ovqat pishishi boshlanishi uchun «Boshlash/Tez boshlash» tugmasini (16) bosib, displayda qolgan vaqt hisobi boshlanadi, ovqat pishirish alomati (21) yorishadi.
- Ovqat pishganidan keyin pechka o'chadi, displayda (10) «End» yozuvi ko'rinib uch marta ovoz eshitiladi.

Eslatma

- Ovqat yaxshiroq pishishi uchun pishayotganda aralashtirib turish kerak.
- Pechka eshigini oching, ovqatni aralashtirib, eshigini yopib ovqat pishishi davom etishi uchun «Boshlash/Tez boshlash» tugmasini (16) bosib.

DIQQAT! «Gril/kombi» (G1 va G2) va «konveksiya/kombi» (C1 va C2) usullarida gril panjarasini (9) ishlatish ta'qiqlanadi.

MASALLIQ OG'IRLIGINI QO'YIB MUZDAN TUSHIRISH

Pechka eshigini ochib masalliqni ish kamerasiga soling, pechka eshigini yoping.

- Murvatini (17) muzdan tushirish usullaridan bittasiga burab qo'ying, displayda (28) va (29) belgilari ko'rinadi.

Muzdan tushirish usullari

5-jadval

Ishlash usuli	Masalliq	Og'irligi, kg
d-1	go'sht	0,1 dan 2,0 gacha
d-2	parranda	0,2 dan 3,0 gacha
d-3	dengiz taomlari	0,1 dan 0,9 gacha

2. «Boshlash/Tez boshlash» tugmasini (16) bosib tanlangan muzdan tushirish usulini tasdiqlang, displeyda alomat (19) yorishadi.
3. Murvatini (17) masalliq og'irligiga burab qo'ying. Masalliq og'irligini tanlangan muzdan tushirish usuliga qarab belgilashingiz mumkin.
4. Masalliq muzi tushishi uchun «Boshlash/Tez boshlash» tugmasini (16) bosing. Displeyda qolgan vaqt hisobi boshlanadi va muzdan tushirish usuli alomati (30) yorishadi.
5. Muzdan tushish tugaganidan keyin pechka o'chadi, displeyda (10) «End» yozuvi yorishib uch marta ovoz eshitiladi.

OVQATNI O'ZI PISHIRISH USULLARI

Tugmasini (13) ketma-ket bosib quyidagi o'zi pishirish usullaridan bittasini tanlashingiz mumkin:

6-jadval

Menyu	Masalliq og'irligi	Displeyda ko'rinishi
A-1 «Makaron»	100 g (va 300 ml sovuq suv)	0,1
	200 g (va 600 ml sovuq suv)	0,2
	300 g (va 900 ml sovuq suv)	0,3
A-2 «Sabzavot»	200 g	0,2
	300 g	0,3
	400 g	0,4
	500 g	0,5
	600 g	0,6
	700 g	0,7
A-3 «Muzlatilgan sabzavot»	800 g	0,8
	200 g	0,2
	300 g	0,3
	400 g	0,4
	500 g	0,5
	600 g	0,6
	700 g	0,7
A-4 «Bodroq»	800 g	0,8
	100 g	3,5
A-5 «Ichimlik»	250 ml	250
	500 ml	500

A-6 «Kartoshka»	450 g	0,45
	650 g	0,65
A-7 «Pitsa»	150 g	-
A-8 «Baliq»	450 g	-

Eslatma:

A-7 usuli 150 g pitsani isitishga mo'ljallangan.

A-8 usuli baliq pishirishga mo'ljallangan.

Misol: og'irligi 300 g sabzavotni pishirish kerak:

1. Pechka eshigini ochib ish kamerasiga masalliqni soling, pechka eshigini yoping.
2. Tugmasini (13) ketma-ket bosib sabzavot pishiradigan usulni tanlang, displeyda o'zi pishiradigan «A-2» usulining raqami bilan ovqatni o'zi pishirish usuli belgisi (28) ko'rinadi.
3. Murvatini (17) sabzavot og'irligiga (300 g) burab qo'ying, tanlangan og'irlik displeyda ko'rinadi.
4. Ovqat pishishi boshlanishi uchun «Boshlash/Tez boshlash» tugmasini (16) bosing. Ovqat pishadigan vaqt o'zi belgilanadi, displeyda ovqat pishishiga qolgan vaqt ko'rinadi, alomat (21) yorishadi.
5. Ovqat pishishi tugaganidan keyin pechka o'chadi, displeyda (10) «End» yozuvi ko'rinib uch marta ovoz eshitiladi.

KO'P BOSQICHDA PISHIRISH USULI

Pechkaning bu modeli bilan ovqatni bir necha bosqichda pishirish mumkin (ketma-ket 4 bosqichgacha pishiriladi).

Eslatma

- Ovqatni o'zi pishirish pishirish bosqichining bittasi bo'lishi mumkin emas.

Misol uchun, ovqat mikroto'lqin usulida 80% quvvat bilan 5 daqiqa pishib, so'ng «Gril» usulida 7 daqiqa pishishi kerak. Buning uchun:

1. Pechka eshigini ochib masalliqni ish kamerasiga soling, so'ng pechka eshigini yoping.
2. «Mikroto'lqin» tugmasini (11) bosing, ovoz eshitilib displeyda mikroto'lqin usulida ishlash belgisi (22) ko'rinadi va alomat (23) yorishadi.
3. Ovqat pishadigan quvvatni tanlash uchun «Mikroto'lqin» tugmasini (11) bosing.
4. Murvatini (17) ovqat pishadigan (vaqtga) 5:00 daqiqaga burab qo'ying.
5. «Gril/Kombi/Konveksiya» tugmasini (12) bosib «G» usulini tanlang. Displeyda «Gril» usulining belgisi (26) ko'rinadi.
6. Murvatini (17) 7:00 daqiqaga burab qo'ying. Displeyda belgilangan vaqt ko'rinadi.
7. Ovqat ko'p bosqichda pishishi uchun «Boshlash/Tez boshlash» tugmasini (16) bosing.
8. Ovqat pishishining birinchi bosqichi tugaganidan keyin ikkinchi bosqichi boshlanadi, displeyda (10) belgi (26) bilan alomat (27) ko'rinadi, «gril» usulida ovqat pishishiga qolgan vaqt hisobi boshlanadi.
9. Ovqat pishganidan keyin pechka o'chadi, displeyda (10) «End» yozuvi ko'rinib uch marta ovoz eshitiladi.

O'ZBEKCHA

OVQAT PISHISHI BOSHLANADIGAN VAQTNI BELGILASH

Xohlagan ovqat pishirish dasturidan bittasini tanlang, masalan, **80%** quvvat bilan **7** daqiqada ovqat pishirish kerak:

1. Pechka eshigini ochib masalliqni ish kamerasiga qo'ying, pechka eshigini yoping.
2. **«Mikroto'liqin»** tugmasini (11) bosib **80%** quvvatni tanlang, displeyda (10) **«80P»** yozuvi ko'rinadi, belgi (22) bilan alomat (23) yorishadi.
3. Murvatini (17) 7:00 daqiqaga ishlashga (vaqtga) burab qo'ying.
4. **«Soat/Belgilab qo'yish»** tugmasini (14) bosib ushlab turing, soat raqamlari o'chib-yona boshlaydi.
5. Murvatini (17) **0** bilan **23** orasida soatga burab qo'ying.
6. Tasdiqlash uchun **«Soat/Belgilab qo'yish»** tugmasini (14) bosib, daqiqa raqamlari o'chib-yona boshlaydi.
7. Murvatini (17) **0** bilan **59** orasida daqiqaga burab qo'ying.
8. Tasdiqlash uchun **«Soat/Belgilab qo'yish»** tugmasini (14) bosib, ovoz eshitiladi, alomati (20) o'chib-yona boshlaydi, displeyda belgi (22) bilan alomat (23) yorishadi.
9. Belgilangan vaqt bo'lganidan keyin ovoz eshitilib ovqat pishishi boshlanadi.
10. Displeyda ovqat pishishiga qolgan vaqt ko'rsatiladi.
11. Ovqat pishganidan keyin pechka o'chadi, displeyda (10) **«End»** yozuvi ko'rinib uch marta ovoz eshitiladi.

Eslatma

- *Soat ovqat pishishi boshlanadigan dastur tanlanishidan oldin to'g'rilanadi.*
- *Ovqat pishishi boshlanadigan vaqtni ko'rish uchun «Soat/Belgilab qo'yish» tugmasini (14) bosib, displeyda (10) 2-3 sekund ovqat pishishi boshlanadigan vaqt ko'rinadi.*

BOLALARDAN BERKITISH XUSUSIYATI

- Berkitish: uch sekund **«To'xtatish/Bekor qilish»** tugmasini (15) bosib ushlab turing, ovoz eshitilib displeyda **«OFF»** yozuvi yorishadi.

- Berkitishni bekor qilish: berkitish ishlayotganda **«To'xtatish/Bekor qilish»** tugmasini (15) uch sekund bosib ushlab turing, ovoz eshitilib **«OFF»** yozuvi ko'rinmay qoladi.

TOZALASH VA EHTIYOT QILISH

- Tozalashdan oldin pechkani o'chiring, elektr vilkasini rozetkadan chiqarib oling.
- Boshqarish paneliga suv tekizmang, uni nam, yumshoq mato bilan artib tozalang, so'ng quruq mato bilan artib quring.
- Pechka ish kamerasini toza tuting. Pechka devoridagi masalliq donalari yoki suyuqlik izlarini nam mato bilan artib tozalang.
- Ko'p kirlangan ish kamerasini yumshoq yuvish vositasi bilan tozalasa bo'ladi.
- Pechka sirtini, ish kamerasi ichini qirib tozalaydigan yuvish vositalari, sim cho'tka bilan tozalamang.
- Suv, yuvish vositalari pechka ustidagi havo bilan bug' chiqadigan joylarga tushmasligiga qarab turing.
- Ammiak qo'shilgan yuvish vositalarini ishlatishtan ta'qiqlanadi.
- Pechka eshigi doim toza bo'lishi kerak. Pechka eshigi bilan old panel o'rtasida ovqat donalari to'planib qolmasin, yo'qsa pechkaning eshigi yaxshi yopilmay qoladi.
- Pechka korpusidagi pechkani sovutadigan havo kiradigan joylarni chang va kirdan tozalab turing. Havo aylanadigan tirgishlarini to'g'ri keladigan birikma ulangan chang so'rgich bilan tozalasa bo'ladi.
- Shisha patnisni, asosi va g'ildirakli xalqani olib, tozalab turing; pechka ish kamerasi ostini artib turing.
- Shisha patnis bilan g'ildirakli xalqani mo'tadil yuvish vositasi qo'shilgan suv bilan yuving, so'ng chayib, quring.
- Qizigan shisha patnisni sovuq suvga solmang, harorat tez o'zgarгани uchun shisha patnis darz ketishi mumkin.
- Ish kamerasida noxush hidni ketkazish uchun pechka ichiga stakanda limon sharbati qo'shilgan suv qo'yib bir necha daqiqa qaynatib oling. Ish kamerasi devorlarini yumshoq saifetka bilan tozalab arting.

NOSOZLIKLAR VA ULARNI TUZATISH

Mikroto'liqinli pechka tele va radio to'liqin qabul qilinishiga xalaqit berayapti	Mikroto'liqin ishlayotganda tele va radioto'liqin qabul qilinishiga xalaqit berishi mumkin. Mikser, chang so'rgich, elektr fenga o'xshagan kichik elektr jihozlari ishlaganda ham shunga o'xshash xalaqit berish bo'ladi. Bunday bo'lishi tabiiy hisoblanadi.
Eshigining oldida bug' to'planib qolgan, havo yo'llaridan issiq havo chiqayapti.	Pishayotgan ovqatdagi suv bug'ga aylanib havo yo'llaridan chiqib ketadi, lekin bug' eshik ichki tomonida to'planib qolishi ham mumkin. Bunday bo'lishi tabiiy hisoblanadi.
Mikroto'liqin pechka ovqat solinmasdan ishlatiladi	Mikroto'liqinli pechka ovqat solinmasdan kam ishlatilsa buzilmaydi. Ishlatishdan oldindan albatta pechkaga ovqat solinganini tekshirib ko'ring.

O'ZBEKCHA

Nosozliklarini tuzatish

Nosozlik	Bo'lishi mumkin bo'lgan sababi	Tuzatish
Pechka ishlamayapti	Elektr vilkasi rozetkaga to'liq kirmagan	Elektr vilkasini rozetkadan chiqarib oling, 10 sekunddan so'ng elektr vilkasini yana rozetkaga ulang.
	Elektr rozetka nosoz	Shu rozetkaning o'ziga boshqa elektr jihozini ulab ko'ring.
Pechka qizimayapti	Eshigi zich yopilmagan	Eshigini zich yoping.
Pechka ishlayotganda shisha patnisdan shovqin eshitilayapti.	Ish kamerasing osti yoki g'ildirakli xalqa kirlangan.	Shisha patnis bilan g'ildirakli xalqani oling G'ildirakli xalqa bilan ish kamerasi ostini yuing.

Texnik ko'rsatgichlari va xususiyati Ishlatiladigan sharoit:

Havo harorati	+10°C darajadan +35°C darajagacha
Havoning nisbiy namligi	35-80%
Havo bosimi	86-106 kPa (650 – 800 mm simob ustuni)

Asosiy ko'rsatgichlari

Ishlaydigan tok kuchi:	220-240 V ~ 50 Hz
Nominal mikroto'lqin quvvati	900 W
Mikroto'lqin usulida nominal ishlatadigan quvvati	1400 W
Gril usulida nominal ishlatadigan quvvati	1000 W
Konveksiya usulida nominal ishlatadigan quvvati	1300 W
O'YUCH FIK %	55%
Ishlash chastotasi	2450 ± 49 MHz
Kamerasing sig'imi	28 l
Shisha patnis diametri	315 mm
Tegrasining o'lchami, ko'pi bilan	518x324x440 mm
Sof og'irligi	Taxminan 17,5 kg

To'plami

Pechka	1 dona
Shisha patnis	1 dona
G'ildirakli xalqa	1 dona
Shisha patnis asosi	1 dona
Gril panjarasi	1 dona
Qo'llanma	1 dona
Kafolat xati	1 dona
Mikroto'lqinli pechkada pishiriladigan ovqatlar resepti	1 dona
Alohida idish	1 dona

Ishlab chiqaruvchining oldindan xabar bermay jihoz ko'rinishi va texnik xususiyatlarini o'zgartirishga huquqi bo'ladi.

Jihozning ishlash muddati – 5 yil

Kafolat shartlari

Ushbu jihozga kafolat berish masalasida hududiy diler yoki ushbu jihoz xarid qiningan kompaniyaga murojaat qiling. Kassa cheki yoki xaridni tasdiqlaydigan boshqa bir moliyaviy hujjat kafolat xizmatini berish sharti hisoblanadi.

Сведения о сертификации

Микроволновая печь бытовая соответствует всем требуемым европейским и российским стандартам безопасности и гигиены.

Соответствует требованиям нормативных документов

ГОСТ Р 52161.2.25-2007 (МЭК 60335-2-25:2006),

ГОСТ Р 51318.11-2006 (СИСПР 11:2004),

ГОСТ Р 51318.14.1-2006 (СИСПР 14-1:2005),

ГОСТ Р 51318.14.2-2006 (СИСПР 14-2:2001),

ГОСТ Р 51317.3.2-2006 (МЭК 61000-3-2:2005),

ГОСТ Р 51317.3.3-2008 (МЭК 61000-3-3:2005).

Изготовитель:

ООО «Мегабалт», г. Калининград, Камская ул., дом №82.

По заказу ООО «Голдер Электроникс»

109004, Москва, Пестовский пер., 10/1

Тел. +7 (495) 921-01-60, факс +7 (495) 921-01-90

www.vitek.ru

GB

A production date of the item is indicated in the serial number on the technical data plate. A serial number is an eleven-unit number, with the first four figures indicating the production date. For example, serial number 0606xxxxxx means that the item was manufactured in June (the sixth month) 2006.

DE

Das Produktionsdatum ist in der Seriennummer auf dem Schild mit technischen Eigenschaften dargestellt. Die Seriennummer stellt eine elfstellige Zahl dar, die ersten vier Zahlen bedeuten dabei das Produktionsdatum. Zum Beispiel bedeutet die Seriennummer 0606xxxxxx, dass die Ware im Juni (der sechste Monat) 2006 hergestellt wurde.

RUS

Дата производства изделия указана в серийном номере на табличке с техническими данными. Серийный номер представляет собой одиннадцатизначное число, первые четыре цифры которого обозначают дату производства. Например, серийный номер 0606xxxxxx означает, что изделие было произведено в июне (шестой месяц) 2006 года.

KZ

Бұйымның шығарылған мерзімі техникалық деректері бар кестедегі сериялық нөмірде көрсетілген. Сериялық нөмір он бір саннан тұрады, оның бірінші төрт саны шығару мерзімін білдіреді. Мысалы, сериялық нөмір 0606xxxxxx болса, бұл бұйым 2006 жылдың маусым айында (алтыншы ай) жасалғанын білдіреді.

RO/MD

Data fabricării este indicată în numărul de serie pe tabelul cu datele tehnice. Numărul de serie reprezintă un număr din unsprezece cifre, primele patru cifre indicând data fabricării. De exemplu, dacă numărul de serie este 0606xxxxxx, înseamnă că produsul dat a fost fabricat în iunie (luna a asea) 2006.

UA

Дата виробництва виробу вказана в серійному номері на табличці з технічними даними. Серійний номер представляє собою одиннадцятизначне число, перші чотири цифри якого означають дату виробництва. Наприклад, серійний номер 0606xxxxxx означає, що виріб був виготовлений в червні (шостий місяць) 2006 року.

BEL

Дата вытворчасці вырабу паказана ў серыйным нумары на таблічце з тэхнічнымі дадзенымі. Серыйны нумар прадстаўляе сабою адзінаццацізначнае лічба, першыя чатыры лічбы якога абазначаюць дату вытворчасці. Напрыклад, серыйны нумар 0606xxxxxx азначае, што выраб быў зроблен ў чэрвені (шосты месяц) 2006 года.

UZ

Mahsulot ishlab chiqarilgan muddat texnik xususiyatlari yozilgan yoriqdagi seriya raqamida ko'rsatilgan. Seriya raqami o'n bitta raqamdan iborat bo'ladi, birinchi to'rtta son ishlab chiqarilgan sanani bildiradi. Misol uchun, seriya raqami 0606xxxxxx bo'lsa, mahsulot iyun (oltinchi oy) 2006 yili ishlab chiqarilgan bo'ladi.

